

Service Manual Trucks

Group **37**

Version **02**

Wiring diagram

FM7, FM10, FM12 LHD

To be inserted into the binders for FM, FH.

Foreword

The descriptions and service procedures contained in this manual are based on designs and methods studies carried out up to December 1998.

The products are under continuous development. Vehicles and components produced after the above date may therefore have different specifications and repair methods. When this is judged to have a significant bearing on this manual, supplementary service bulletins will be issued to cover the changes.

The new edition of this manual will update the changes.

In service procedures where the title incorporates an operation number, this is a reference to V.S.T. (Volvo Standard Times).

Service procedures which do not include an operation number in the title are for general information and no reference is made to V.S.T.

The following levels of observations, cautions and warnings are used in this Service Documentation:

Note: Indicates a situation, handling or circumstance which should be observed.

Important: Indicates a situation, handling or circumstance which should be emphasized so as not to lead to personal injury or damage to property.

Caution: Indicates a potentially hazardous situation which, if not avoided, may result in minor or moderate injury or damage to property.

Warning: Indicates a potentially hazardous situation which, if not avoided, could result in death, serious injury or major damage to property.

Danger: Indicates an imminently hazardous situation which, if not avoided, will result in death or serious injury.

Volvo Truck Corporation

Göteborg, Sweden

The following information will be superseded by this manual:

SM Group 37 TSP 21847

Order number: TSP127085

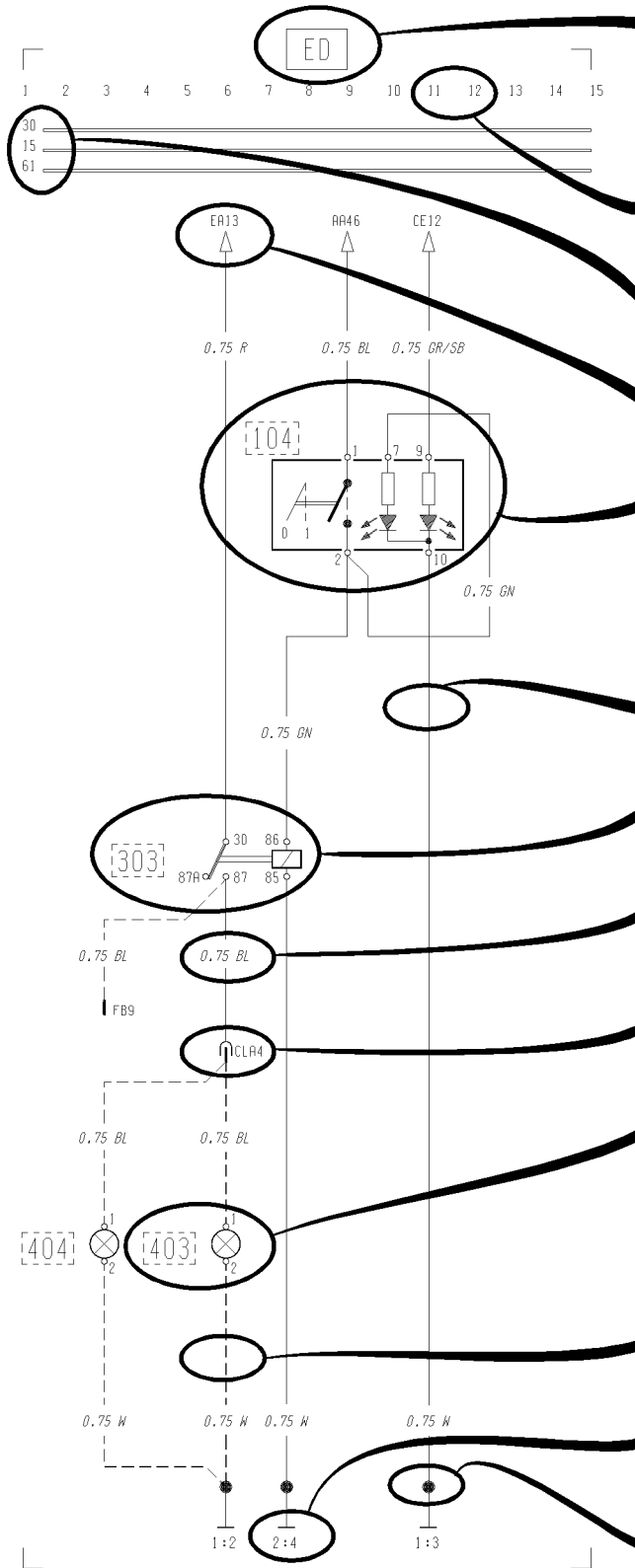
© 1998 Volvo Truck Corporation, Göteborg, Sweden

All rights reserved. No part of this publication may be reproduced, stored in retrieval system, or transmitted in any forms by any means, electronic, mechanical, photocopying, recording or otherwise, without the prior written permission of Volvo Truck Corporation.

Contents

Example of wiring diagram	2
Examples of symbols on wiring diagram	3
Component wiring diagram index	5
Component wiring diagrams	7
Illustrations index	56
Illustrations	58
Circuit card electrical centre	125
Fuses on circuit card electrical centre	126
Relays on circuit card electrical centre	127
Cable harness illustration index	128
List of connectors	132
List of components	140
Abbreviations	146
Cable colour code	147
Feedback	

Example of wiring diagram



Refer to the list of contents for the designation of the circuit diagram. If the circuit diagram designation is boxed in with broken lines this means that the circuit diagram is not standard on all market or vehicle models.

Seek column.

30 Voltage battery, kl.30.
 15 Voltage with starting key in drive position, kl.15.
 61 Voltage when alternator charges, kl.61.

Reference arrow (for circuit diagram EA, seek column 13).

Switch, comp. no. (104).

Single lines, cables.

Relay, comp. no. (303).

Cable area and colour (0.75 mm² blue).

Connector (CLA terminal 4).

Bulb, comp. no. (403)
 A broken line box round the component number shows that the component is not standard on all markets or vehicle models.

If the line is broken this means the cable is not standard on all markets or vehicle model.

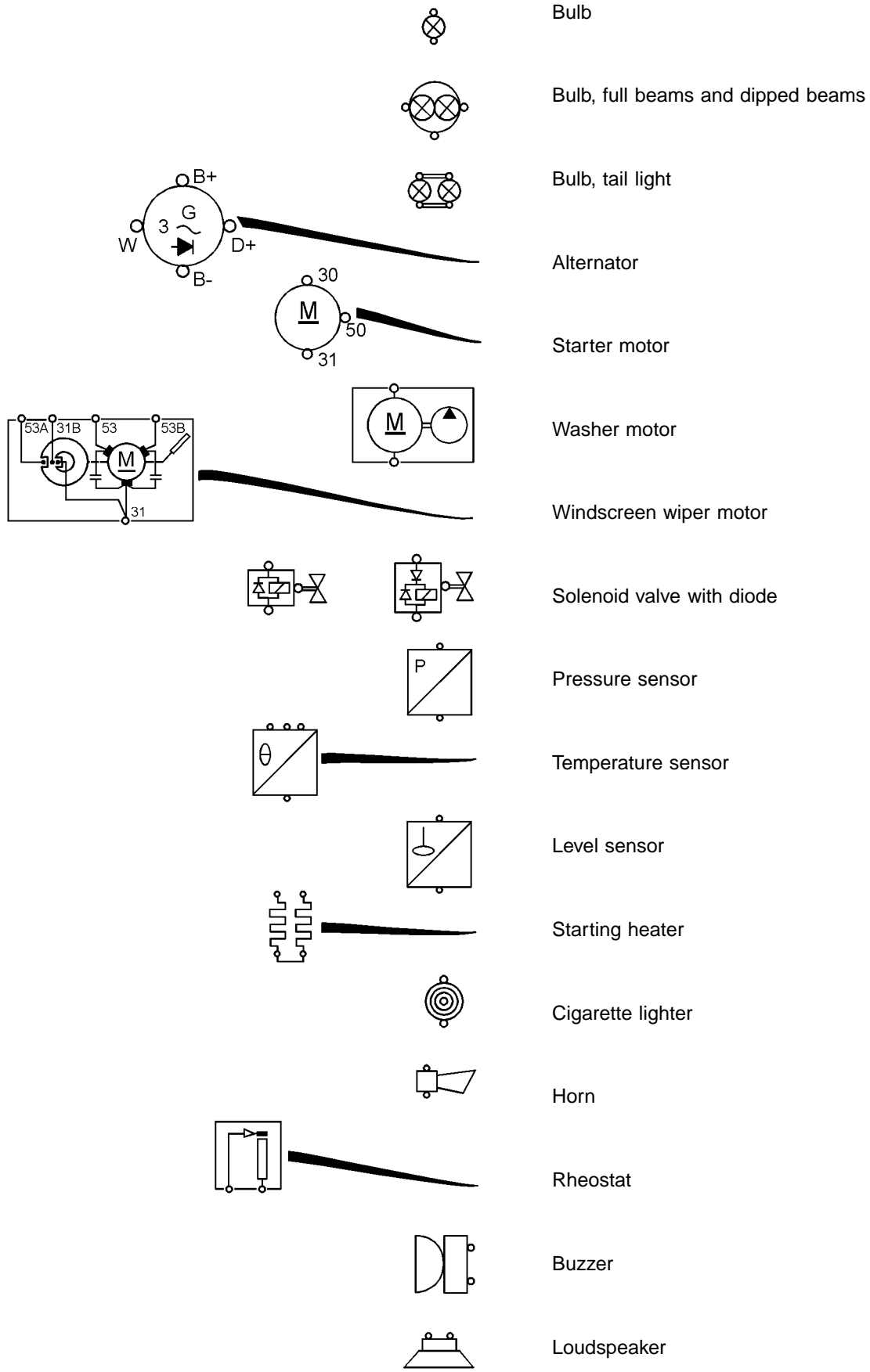
Earth connection point no: 2. and earth terminal no: 4. (see diagram Earth Connections).

Joint sleeve.

T3009608

Examples of symbols on wiring diagram

	<p>Battery</p>
	<p>Connector</p>
	<p>Junktion</p>
	<p>Fuse</p>
	<p>Joint sleeve</p>
	<p>Cable</p>
	<p>Twisted cables</p>
	<p>Conductor on circuit card</p>
	<p>Earth connection and cable</p>
	<p>Switch</p>
	<p>Switch, starting switch</p>
	<p>Closing kontakt</p>
	<p>Closing kontakt, pressure-regulated</p>
	<p>Break kontakt, temperature-regulated</p>
	<p>Closing kontakt, time-regulated</p>
	<p>Slip kontakt, horn</p>
	<p>Relay</p>
	<p>Relay with internal circuit diagram</p>



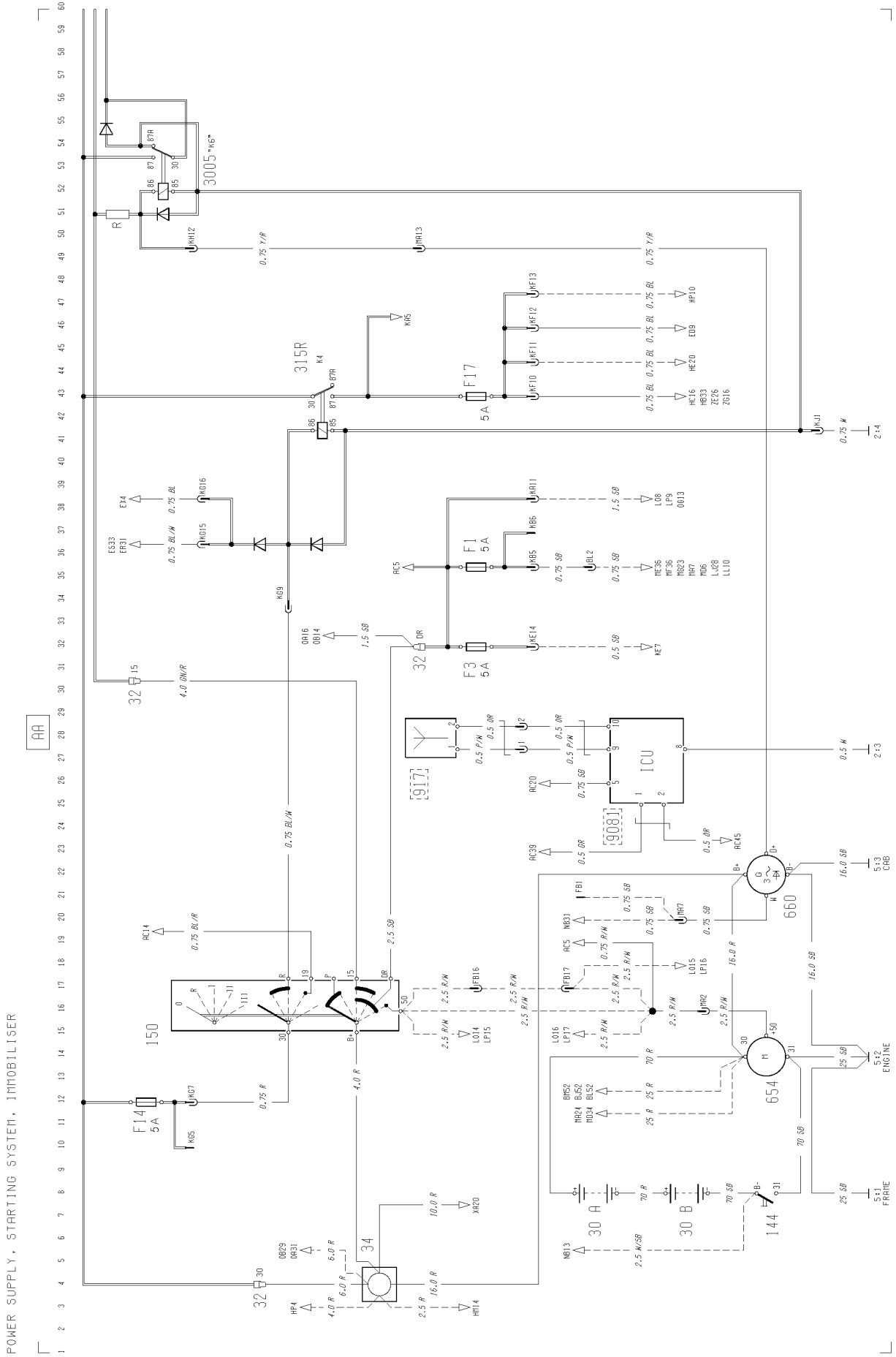
T3009610

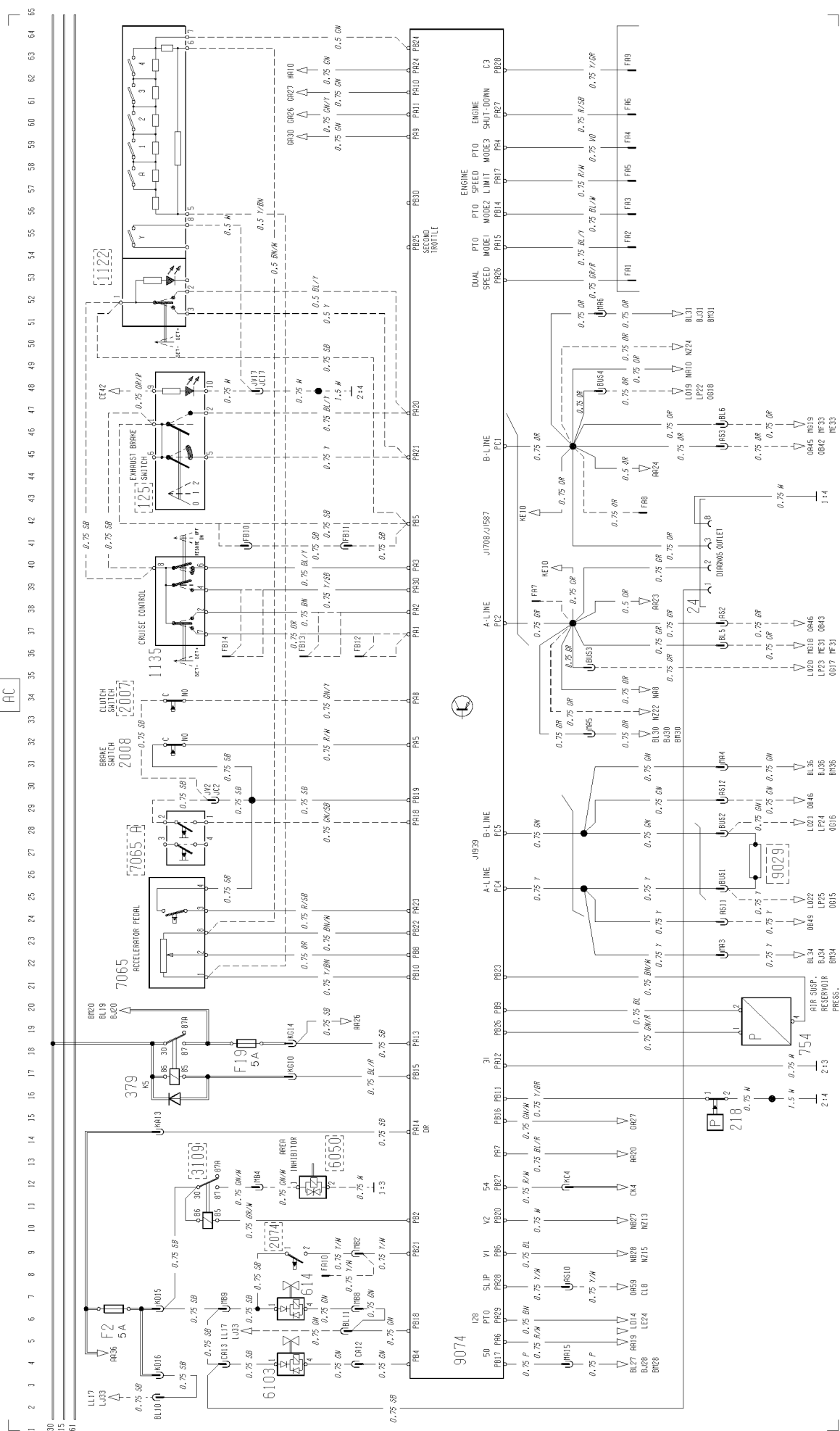
Component wiring diagram index

AA	Power supply, starting system, immobiliser	page 7
AC	Vehicle ECU	page 8
BJ	Engine ECU, fuel injection system, preheating, FM7	page 9
BL	Engine ECU, fuel injection system, preheating, FM12	page 10
BM	Engine ECU, fuel injection system, preheating, FM10	page 11
CE	Head light, parking light, marker light, DRL	page 12
CG	Fog light, rear fog light	page 13
CH	Spot light (STD) DRIVL2	page 14
CI	Spot light (EU) DRIVL2EC	page 14
CK	Brake light	page 15
CL	Trailer controlled exhaust brake	page 15
CN	Direction indicator, hazard warning light	page 16
EA	Reversing light, reversing warning alarm	page 16
ED	Loading light, fifth wheel light	page 17
EJ	Roof sign light, L1H1/L2H1	page 17
EK	Roof sign light, L2H2	page 17
ER	Interior light, L1H1/ L2H1, alarm clock/timer	page 18
ES	Interior light, L2H2, alarm clock/timer	page 19
EV	Cigarette lighter	page 20
EX	12 V power supply	page 20
FA	Horn	page 20
GA	Wiper, washer	page 21
HA	Climate unit	page 22
HB	Cab heater, EBERSPÄCHER D1LCC, PH-CAB	page 23
HC	Cab and engine heater, WEBASTO THERMO 90, PH-ENGCA	page 24
HD	Short stop cabheater	page 24
HE	Electrically heated and adjusted seat	page 25
HG	Electrically heated mirrors	page 25
HH	Electrically operated mirrors	page 26
HK	Air dryer	page 26
HM	Fuel filter heater	page 26
HP	Electrically cab tilt	page 27
JA	Radio	page 27
KA	Electrically operated window winders	page 28

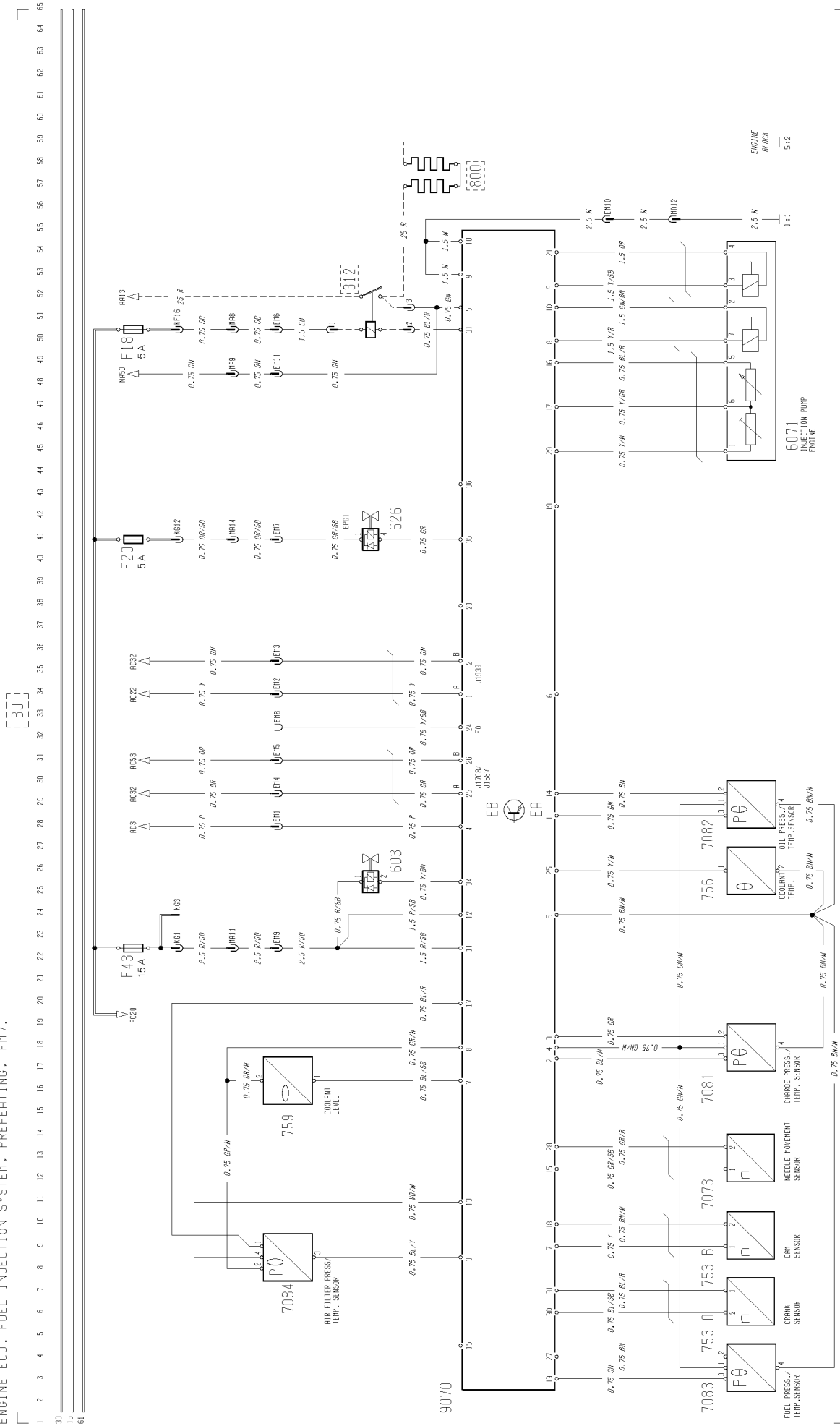
KE	SRS, air-bag	page 28
KH	Central door lock	page 29
LD	Power take-off	page 29
LE	Double power take-off	page 30
LG	Differential lock	page 30
LJ	Bogie lift, tag axle lock, RADT-LA	page 31
LL	Tag axle lock, RADT-A6S	page 31
LO	Geartronic, automatic gearshift	page 32
LP	Powertronic	page 33
LS	GLU, gear selector, Geartronic	page 34
MA	Bogie lift hydraulic, RADT-AR	page 35
MD	Bogie lift hydraulic, with axle load limiter, RADT-AR	page 36
ME	Air suspension, 6x2/6x4/8x2/8x4, SUSPL-EC	page 37
MF	Air suspension, 4x2, SUSPL-EC	page 38
MG	Rear air suspension, 4x2, TRACTOR, SUSPL-EC	page 39
NA	Instrument LHS module	page 40
NB	Instrument central module with tachograph	page 41
NC	Instrument RHS module	page 42
NX	Dynafleet	page 43
NZ	Instrument central module without tachograph	page 44
OA	Basic ABS, D-version	page 45
OB	ABS/ASR, D-version	page 46
OG	Retarder, manual gearshift	page 47
PA	Headlight level control	page 48
PD	Dual speed limiter	page 48
TA	Refrigerator	page 49
TB	Central lubrication system	page 49
XA	Extra fuses, key switch relay	page 50
ZA	Earth connections	page 51
ZB	Earth connections	page 52
ZD	ADR battery main switch, current limiter	page 53
ZE	Air heater EBERSPÄCHER D1LCC, TRS	page 54
ZG	Water heater, WEBASTO THERMO 90, TRS	page 55

Component wiring diagrams





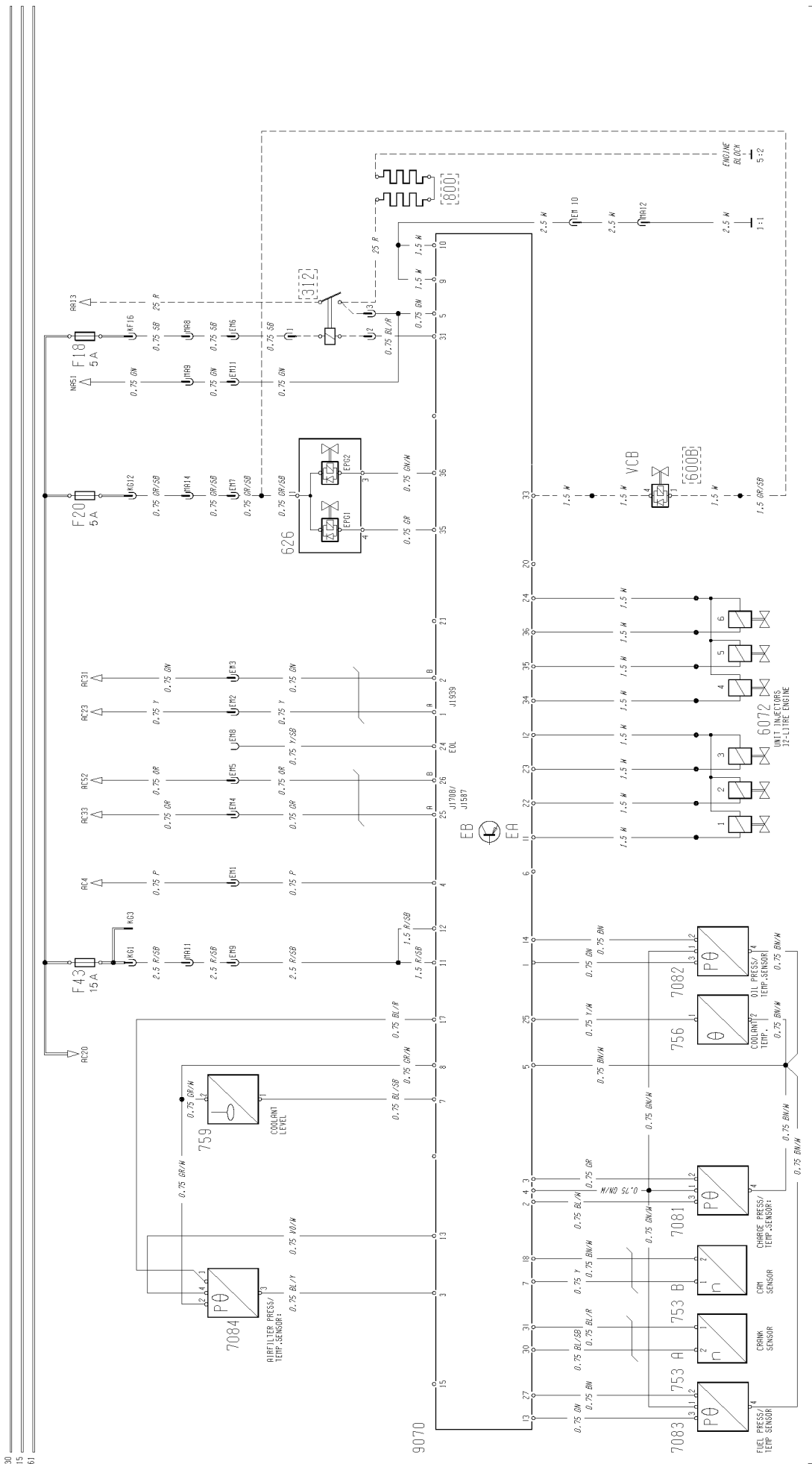
ENGINE ECU. FUEL INJECTION SYSTEM, PREHEATING, FM7.



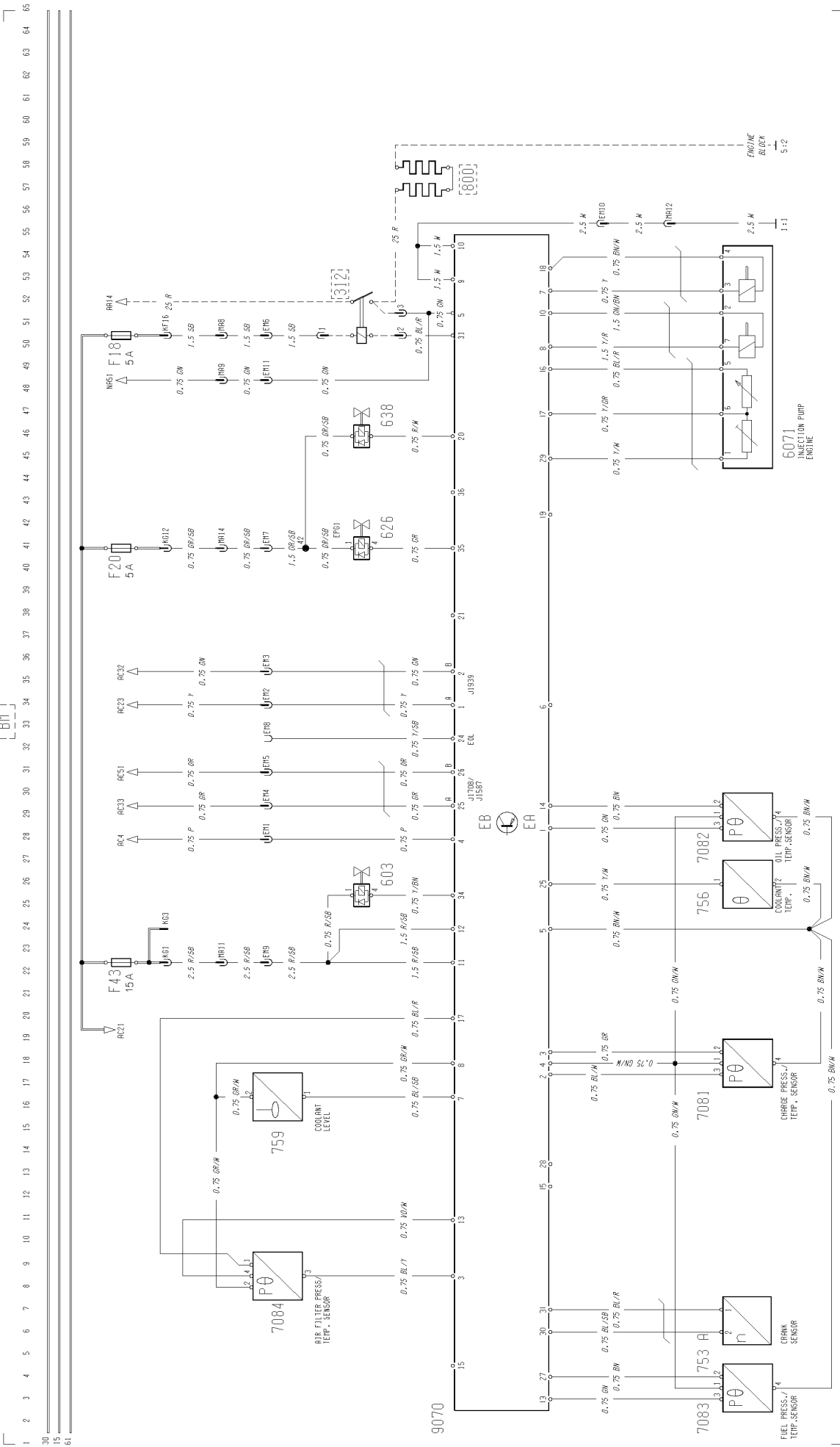
ENGINE ECU. FUEL INJECTION SYSTEM. PREHEATING, FM12.

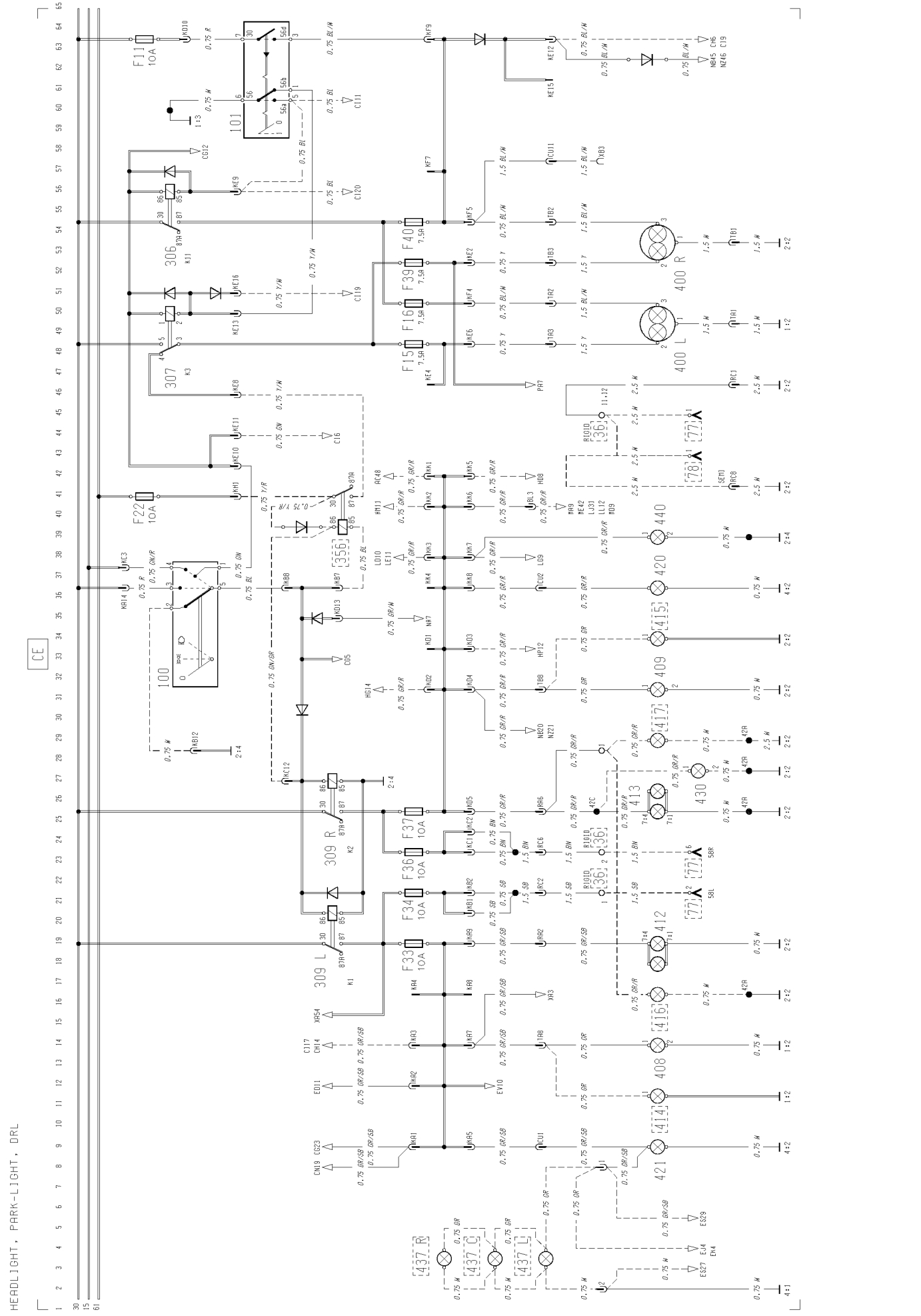
[BL]

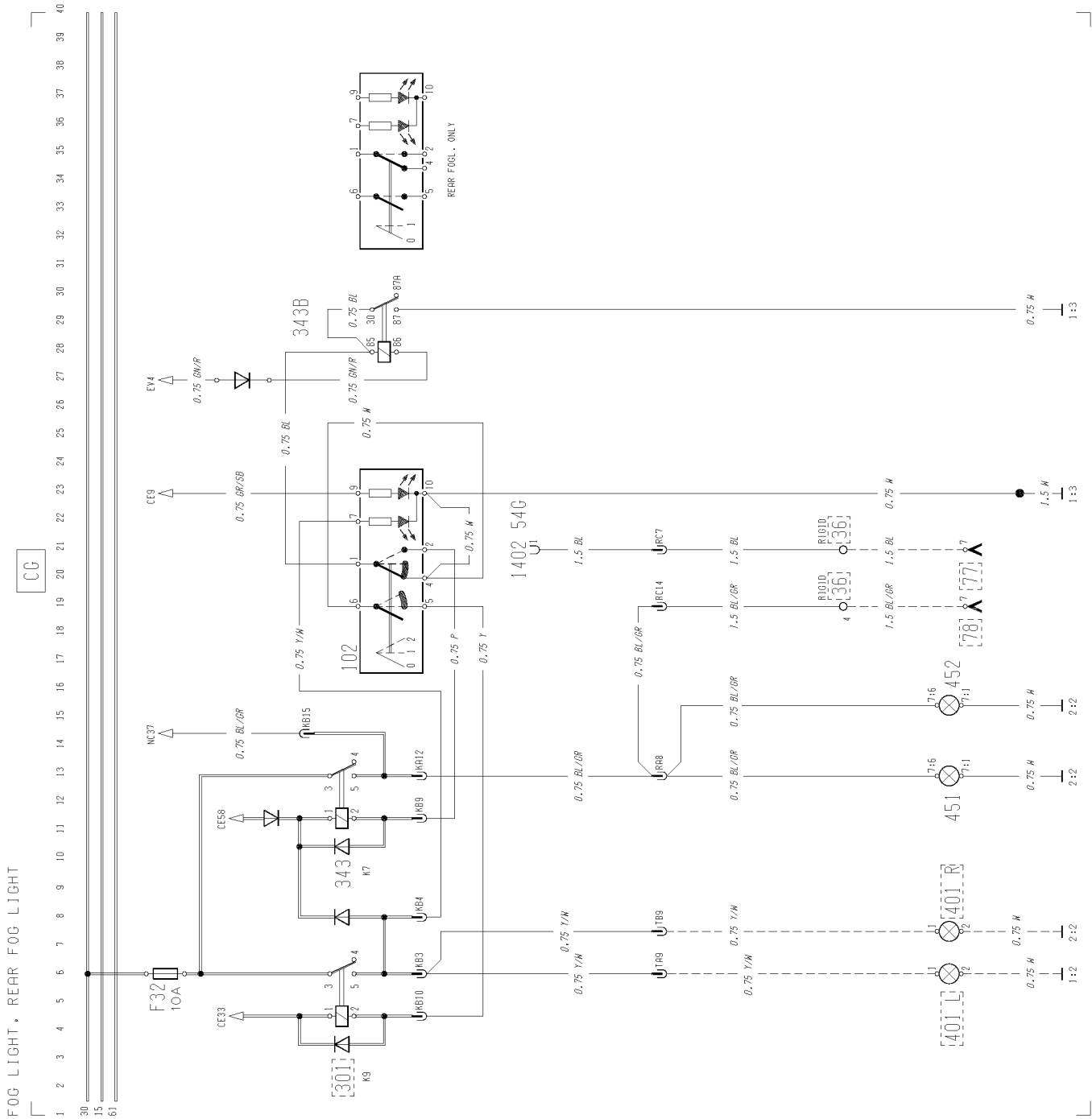
1 2 3 4 5 6 7 8 9 10 11 12 13 14 15 16 17 18 19 20 21 22 23 24 25 26 27 28 29 30 31 32 33 34 35 36 37 38 39 40 41 42 43 44 45 46 47 48 49 50 51 52 53 54 55 56 57 58 59 60 61 62 63 64 65



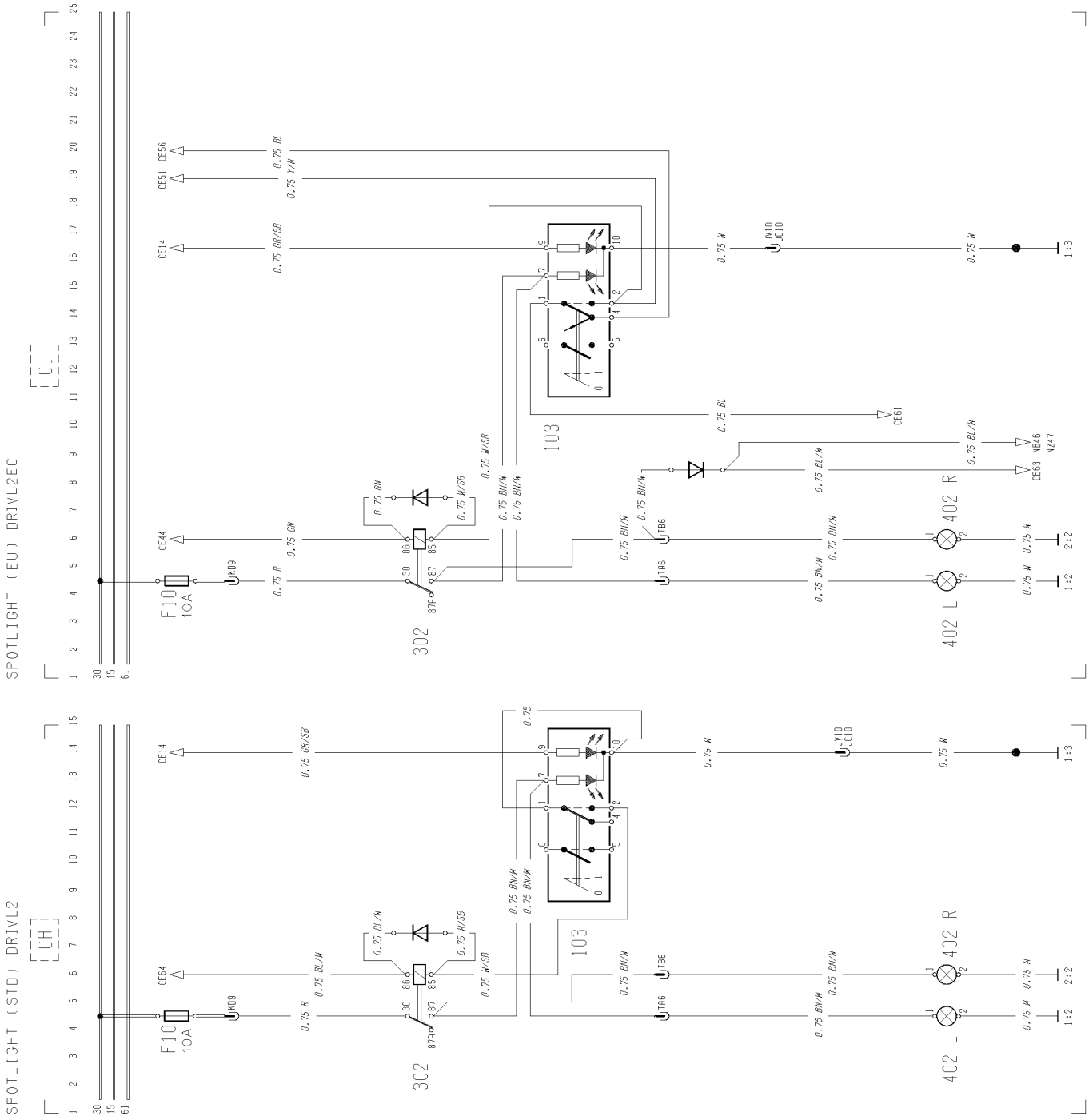
ENGINE ECU, FUEL INJECTION SYSTEM, PREHEATING, FM10



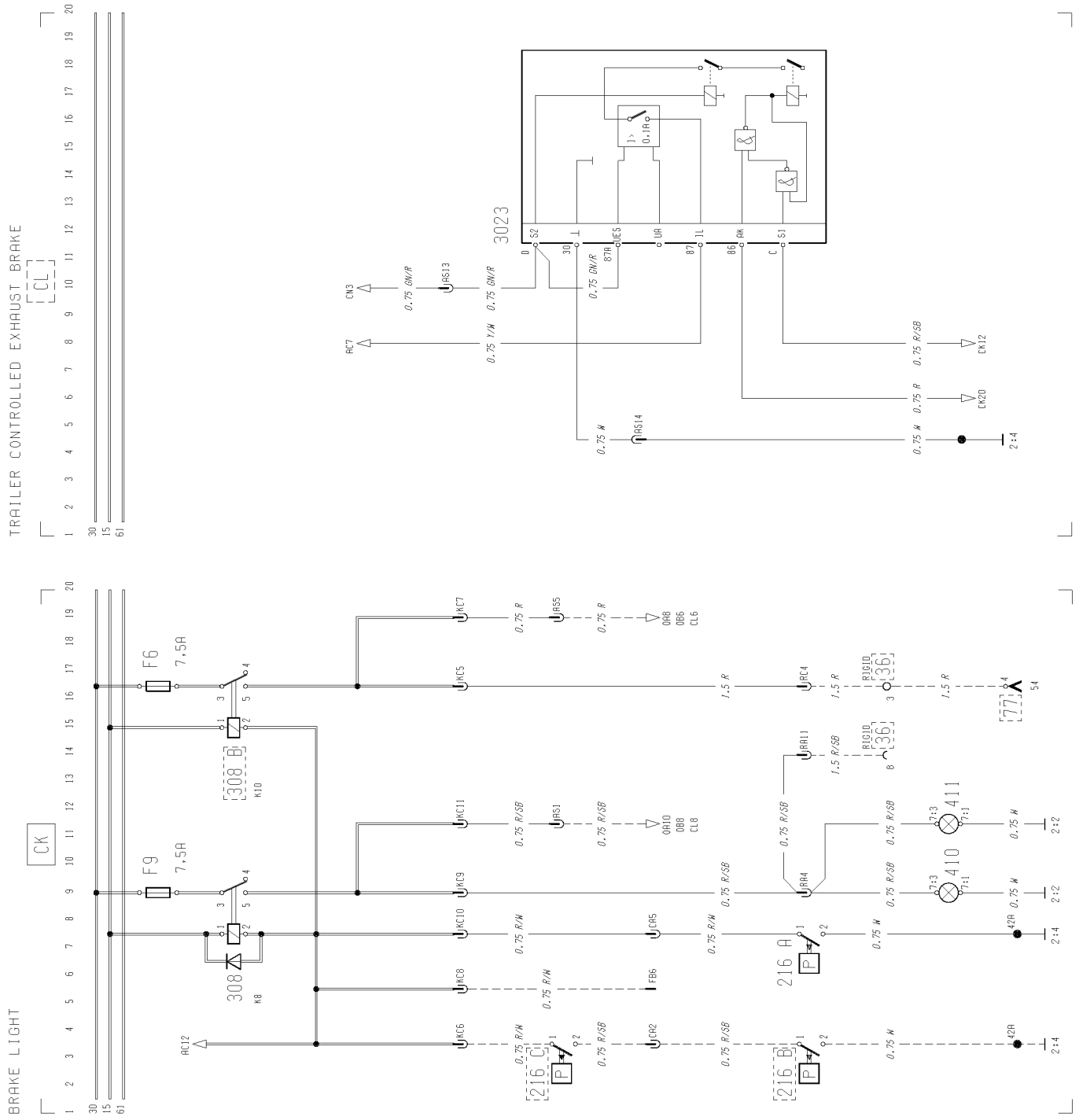




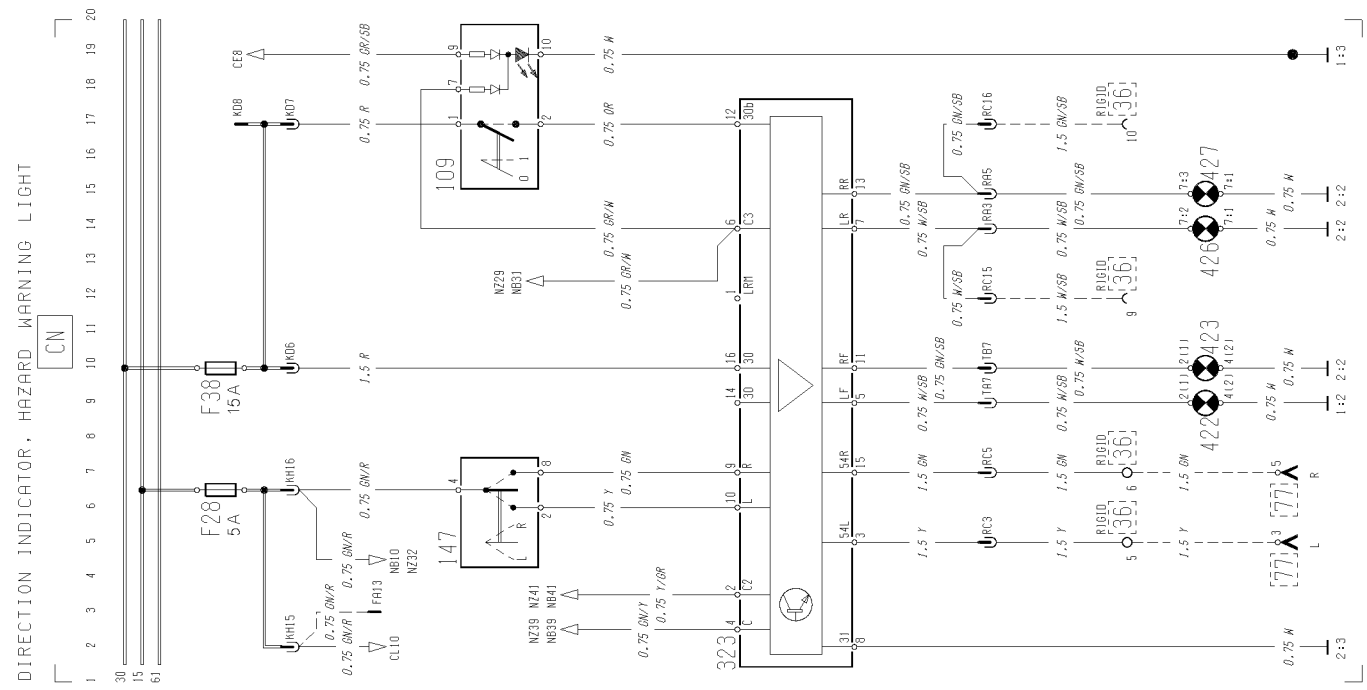
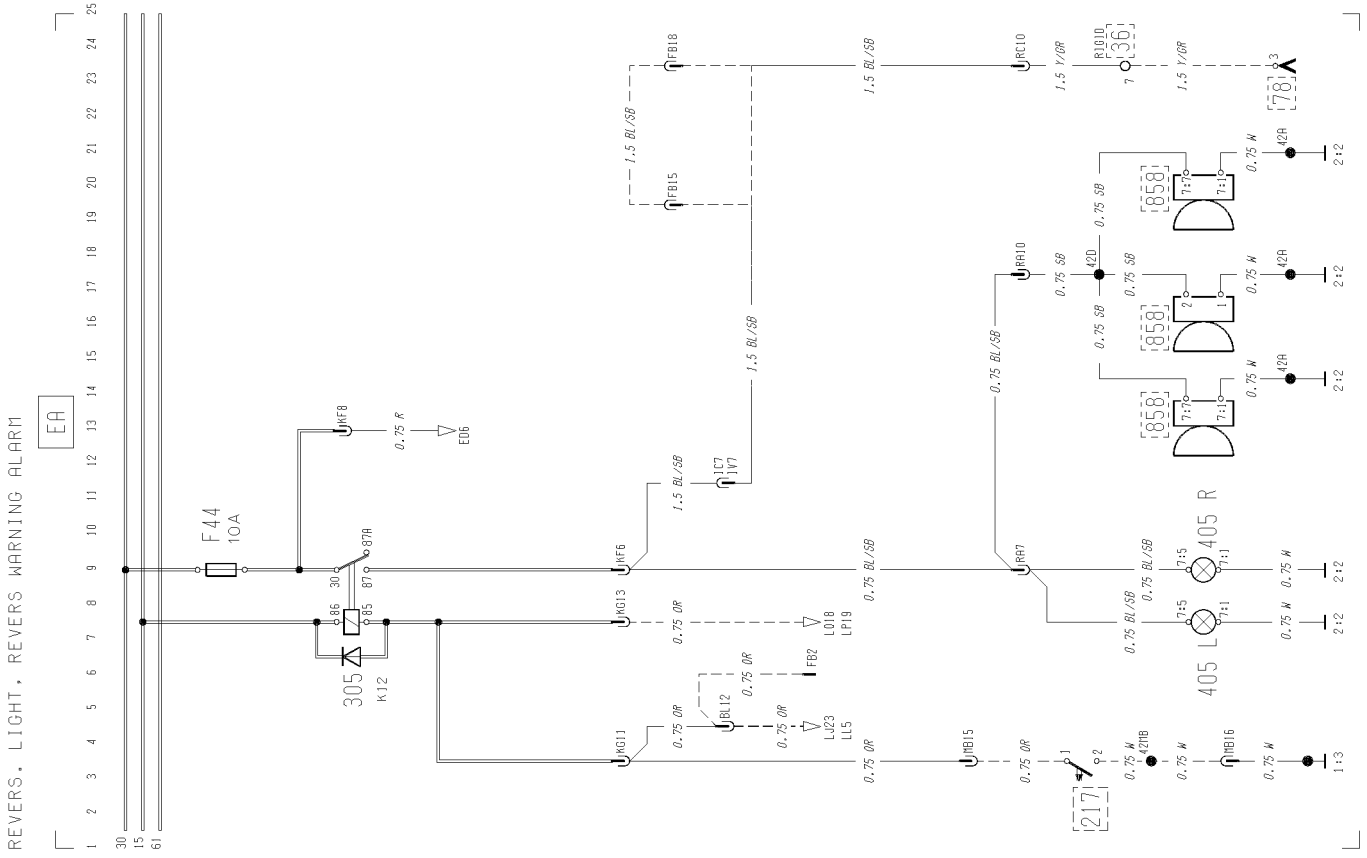
T3011498



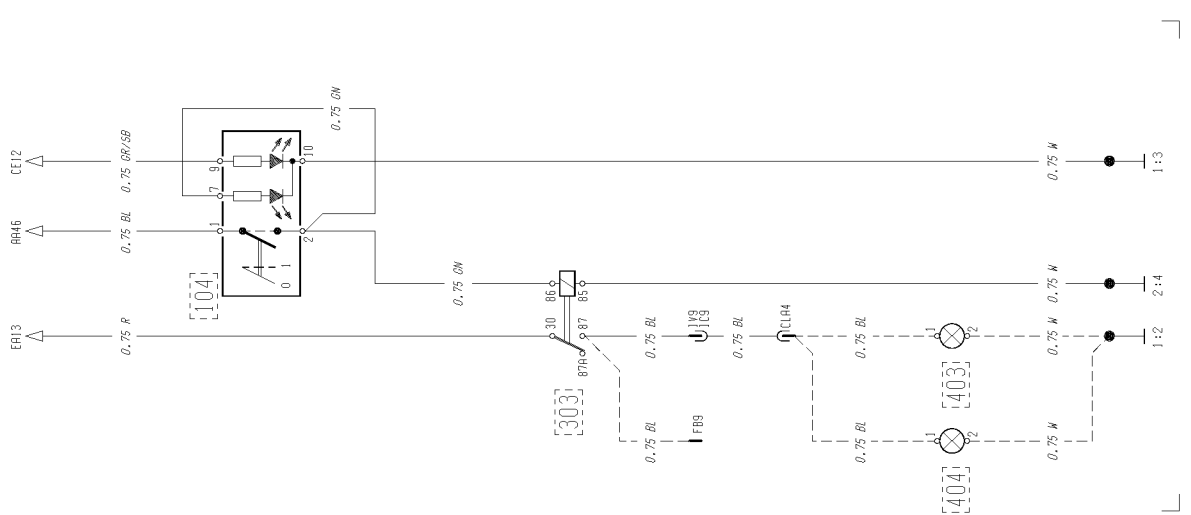
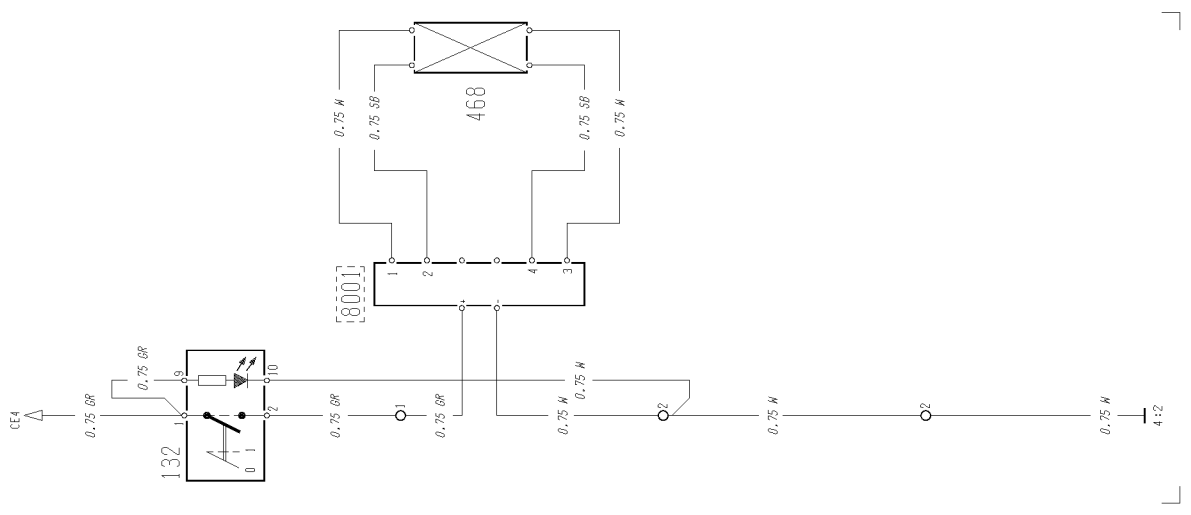
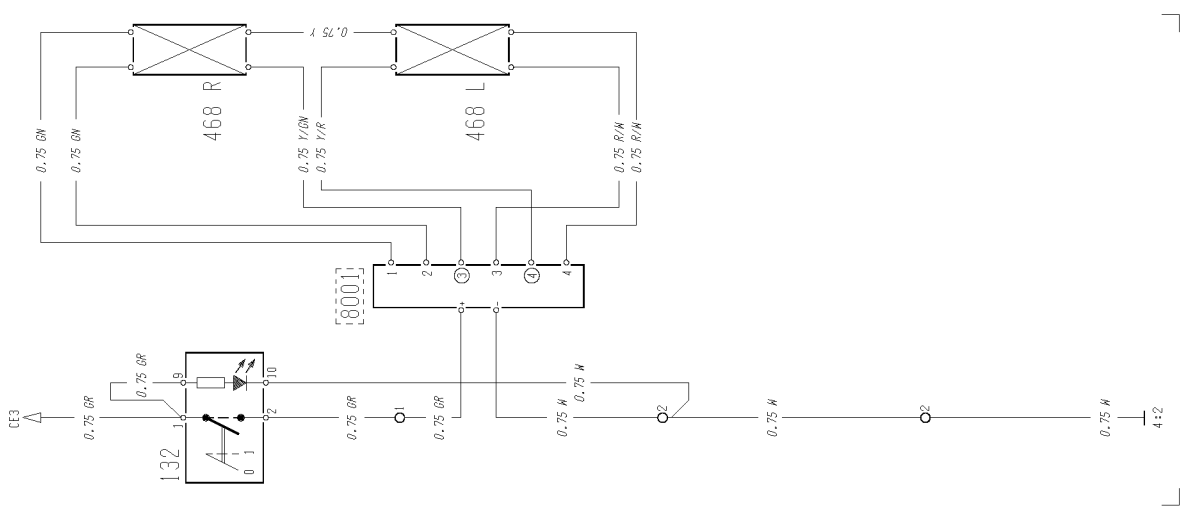
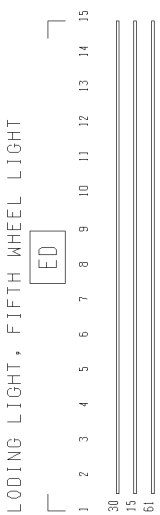
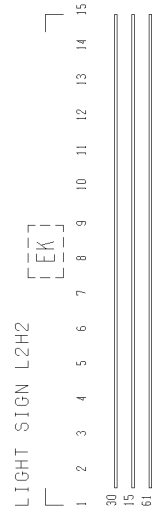
T3011393



T3011394

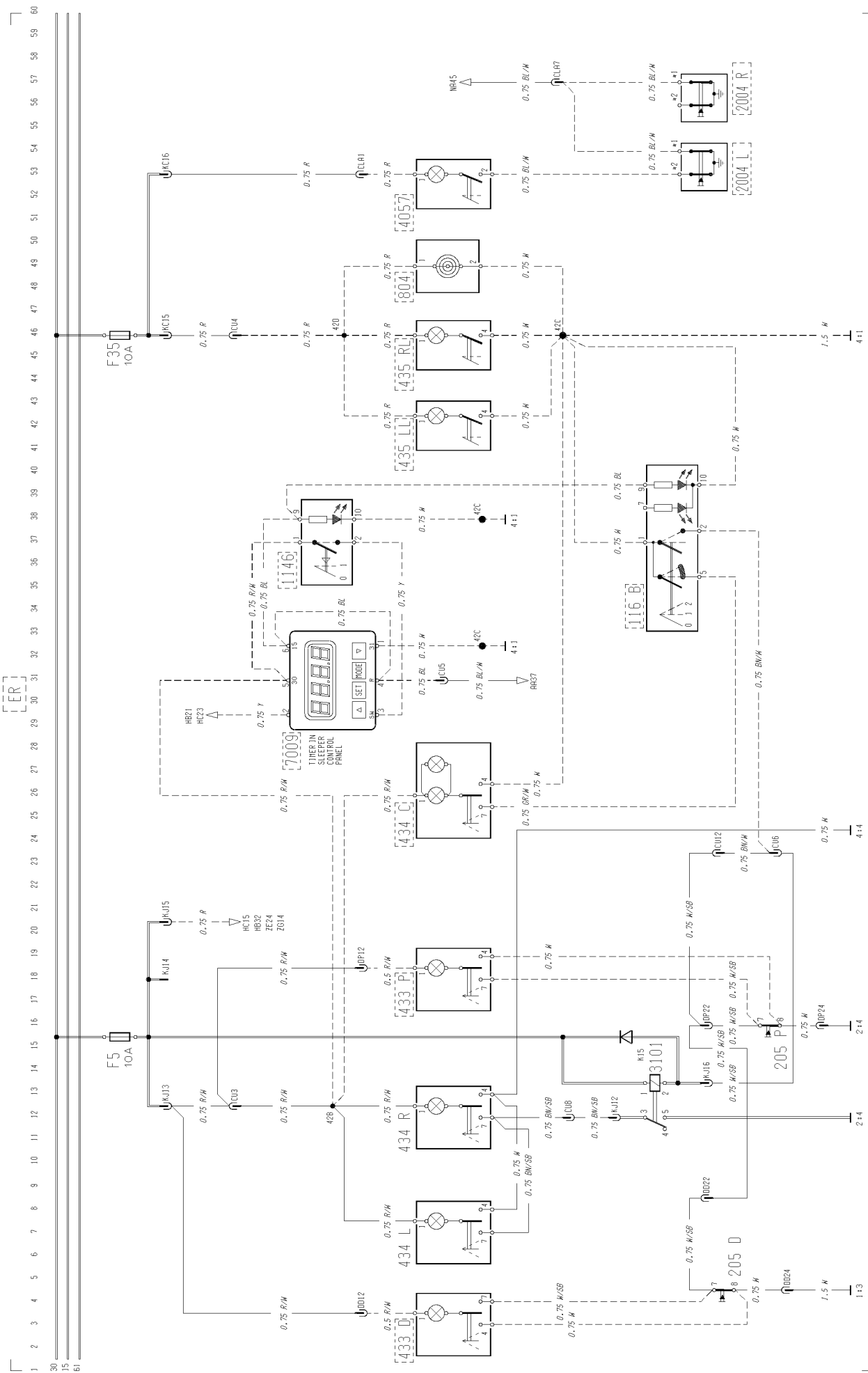


T3011395

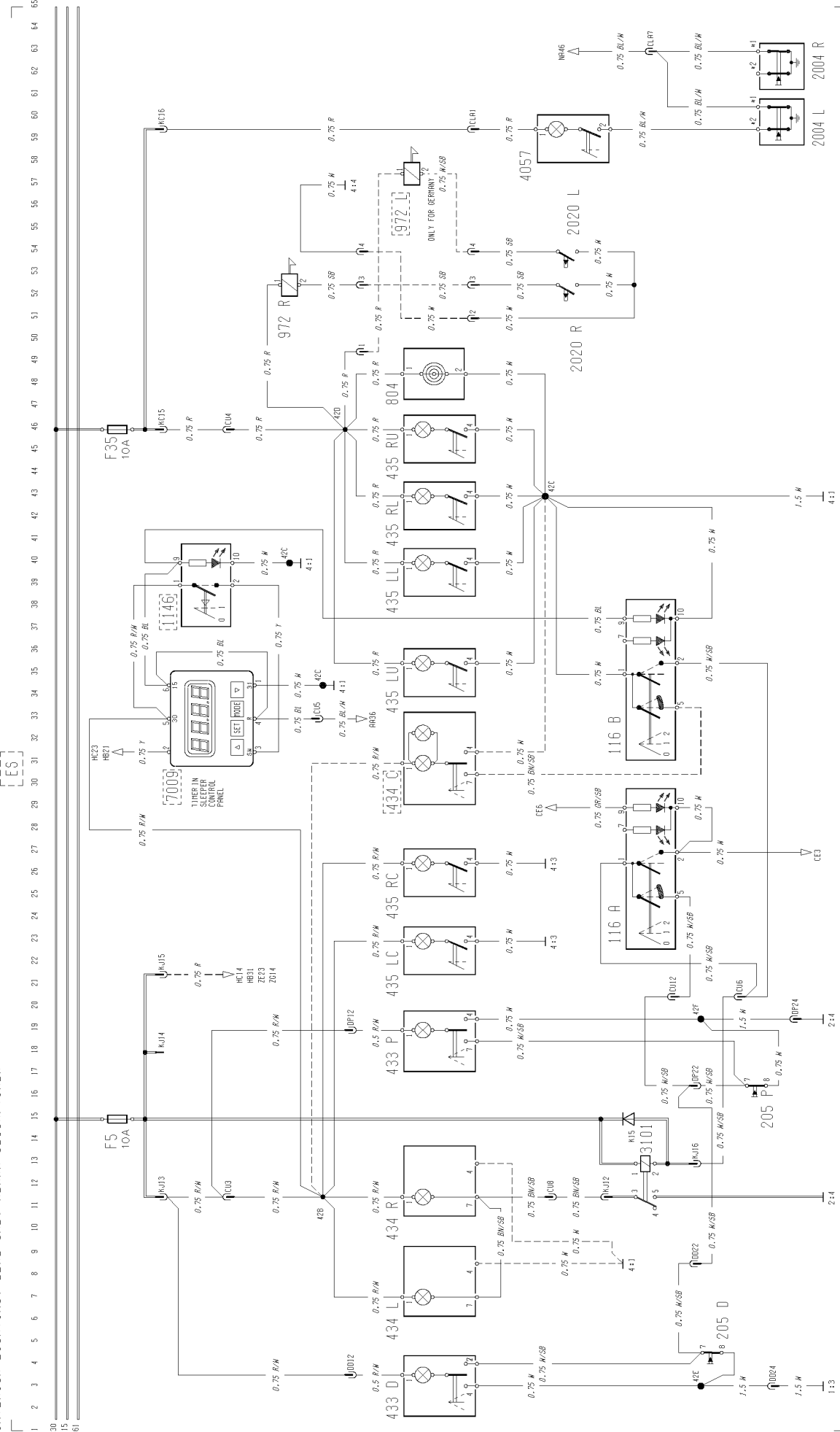


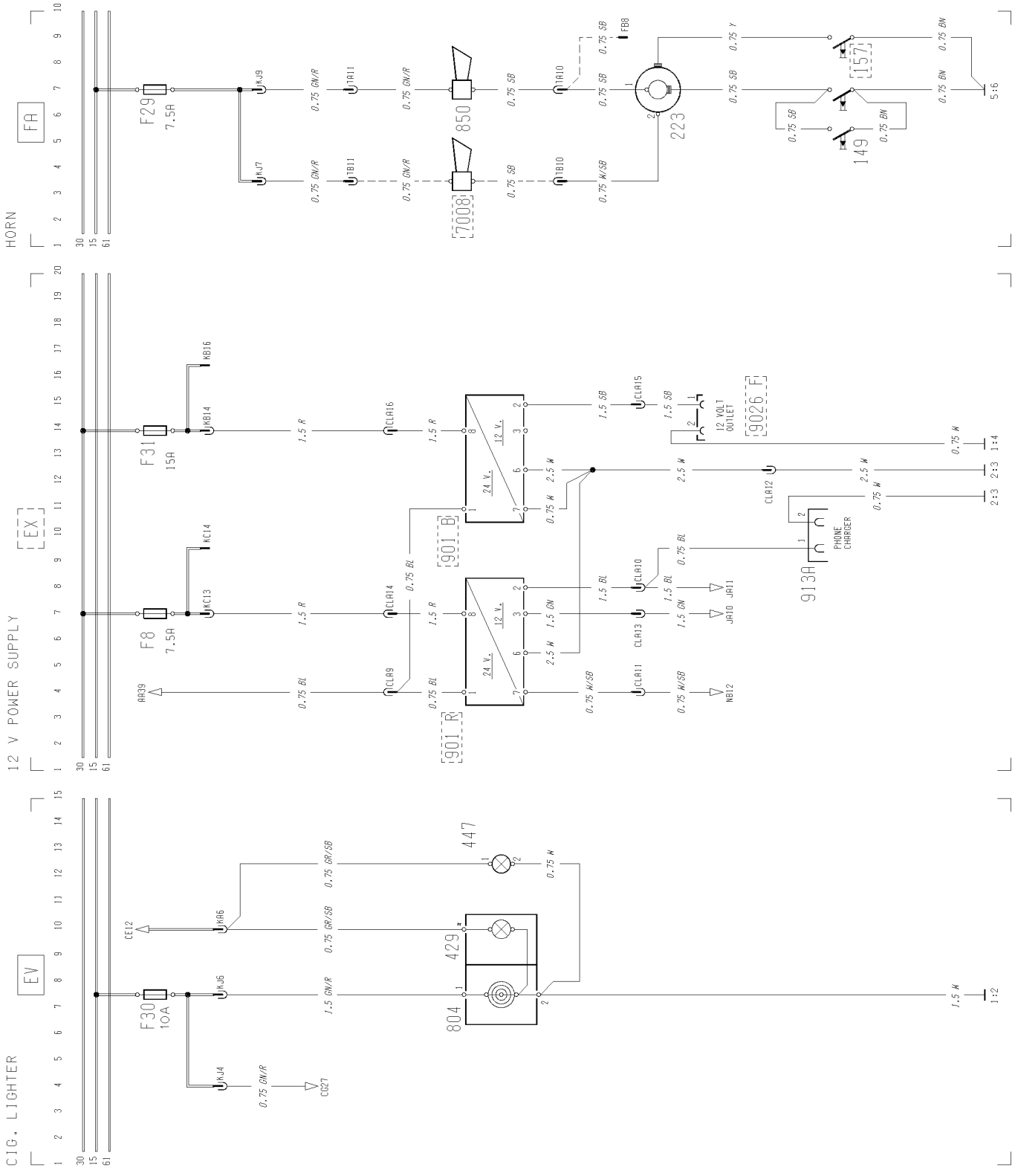
T3011396

INTERIOR LIGHTING, L1H1-CAB, L2H1-CAB, ALARM CLOCK/TIMER

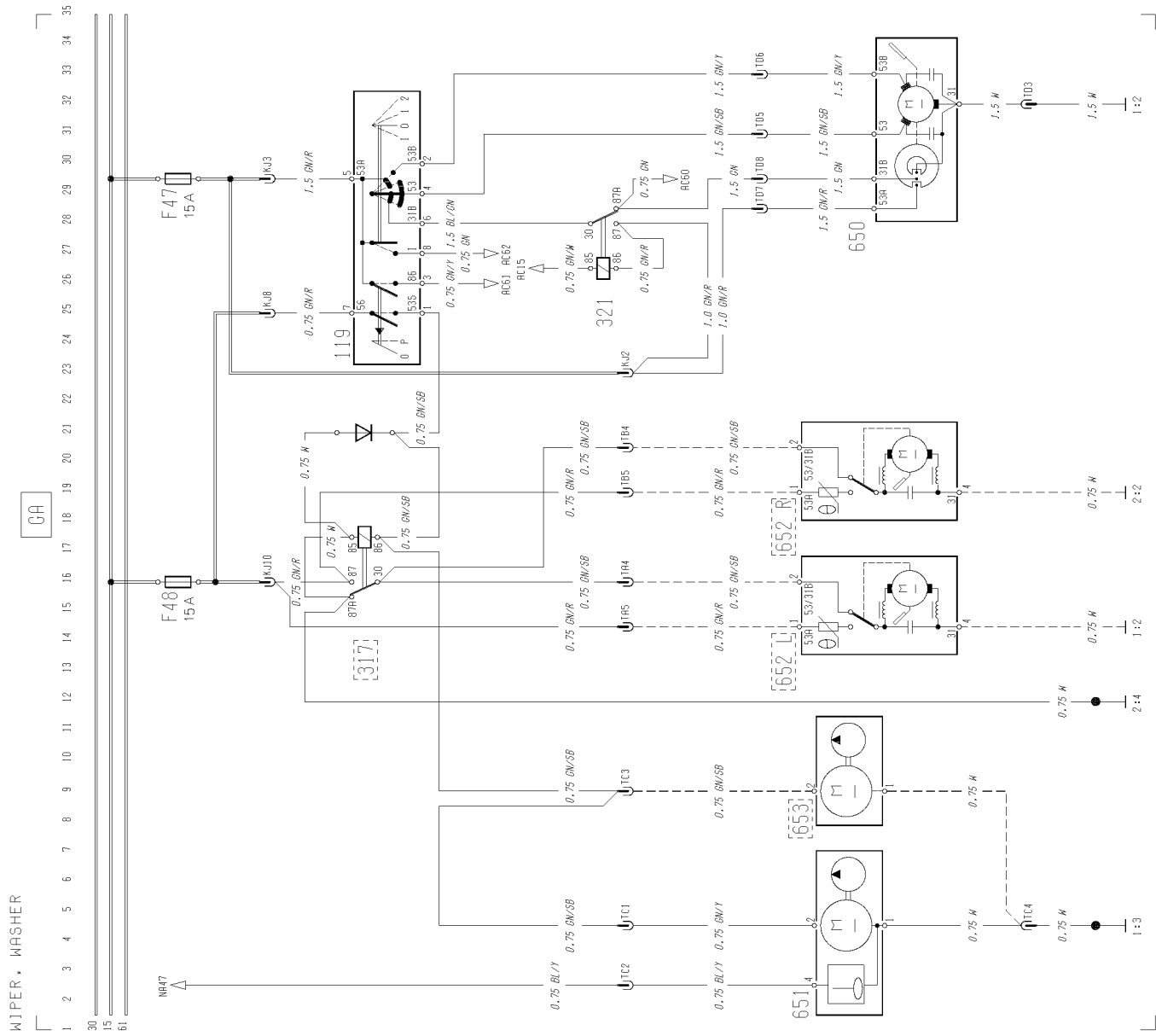


INTERIOR LIGHTING, L2H2-CAB, ALARM CLOCK/TIMER

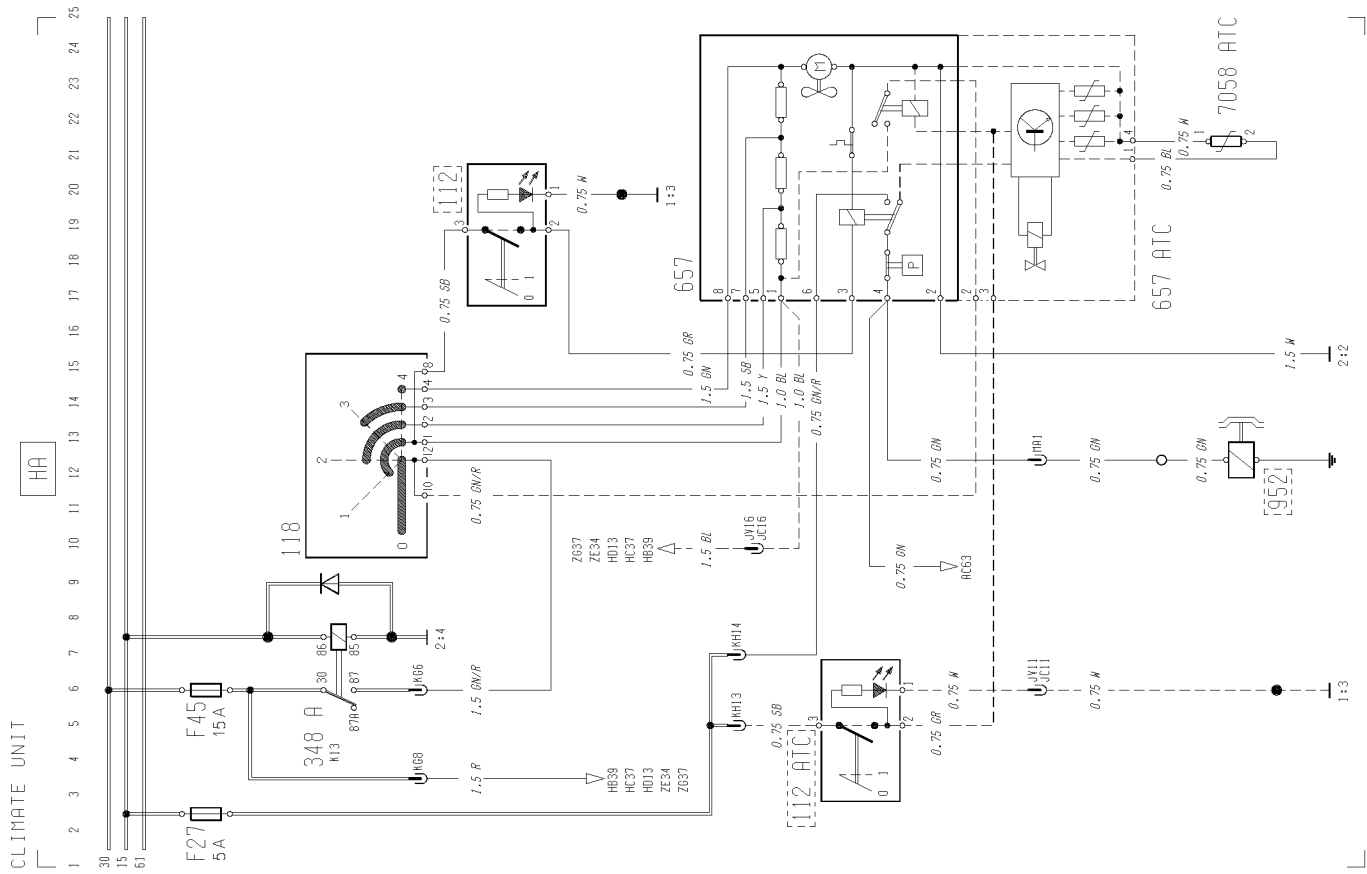




T3011399



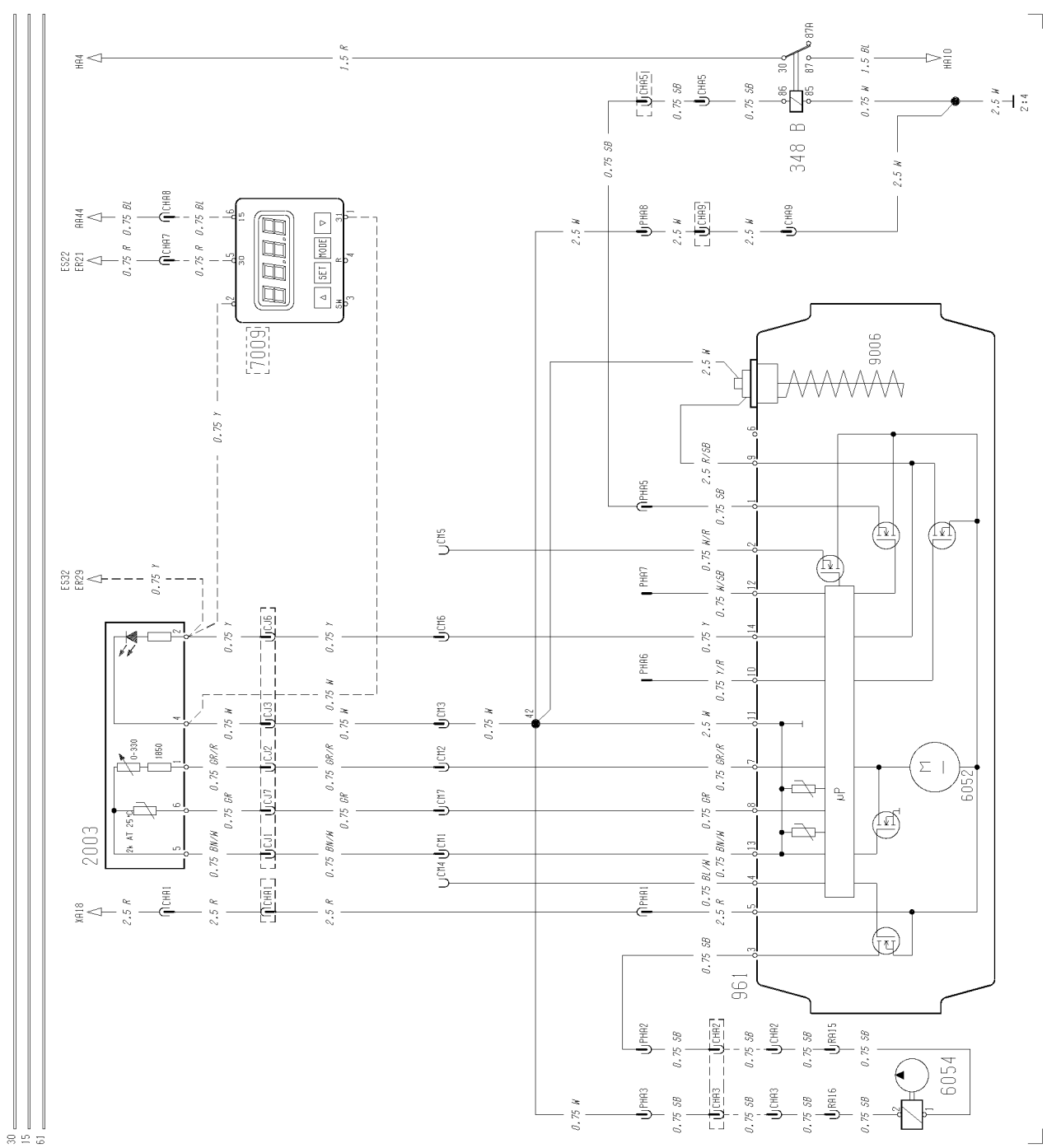
T3011400



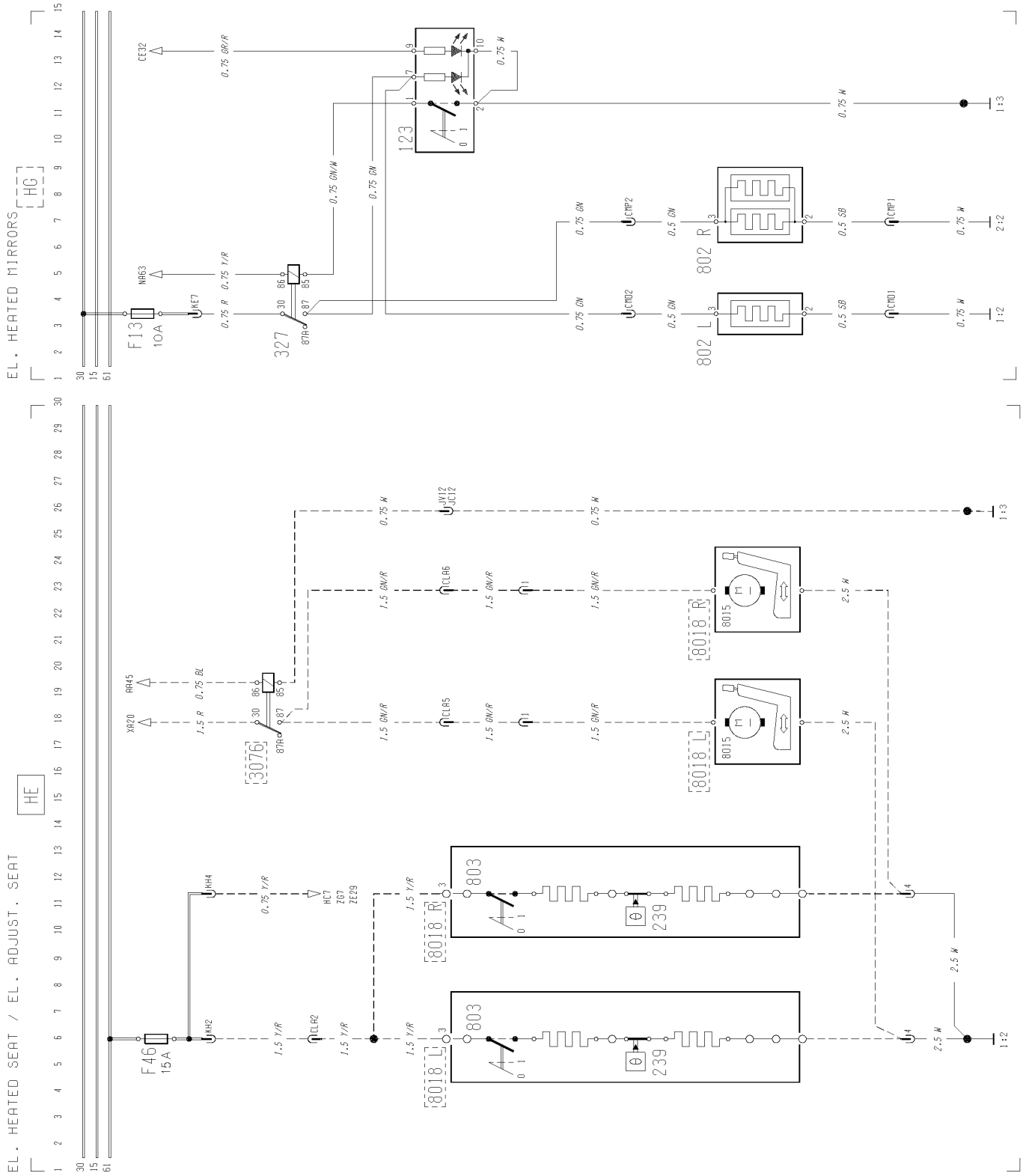
T3011401

AIR HEATER, EBERSPACHER D1LCC, PH-CAB

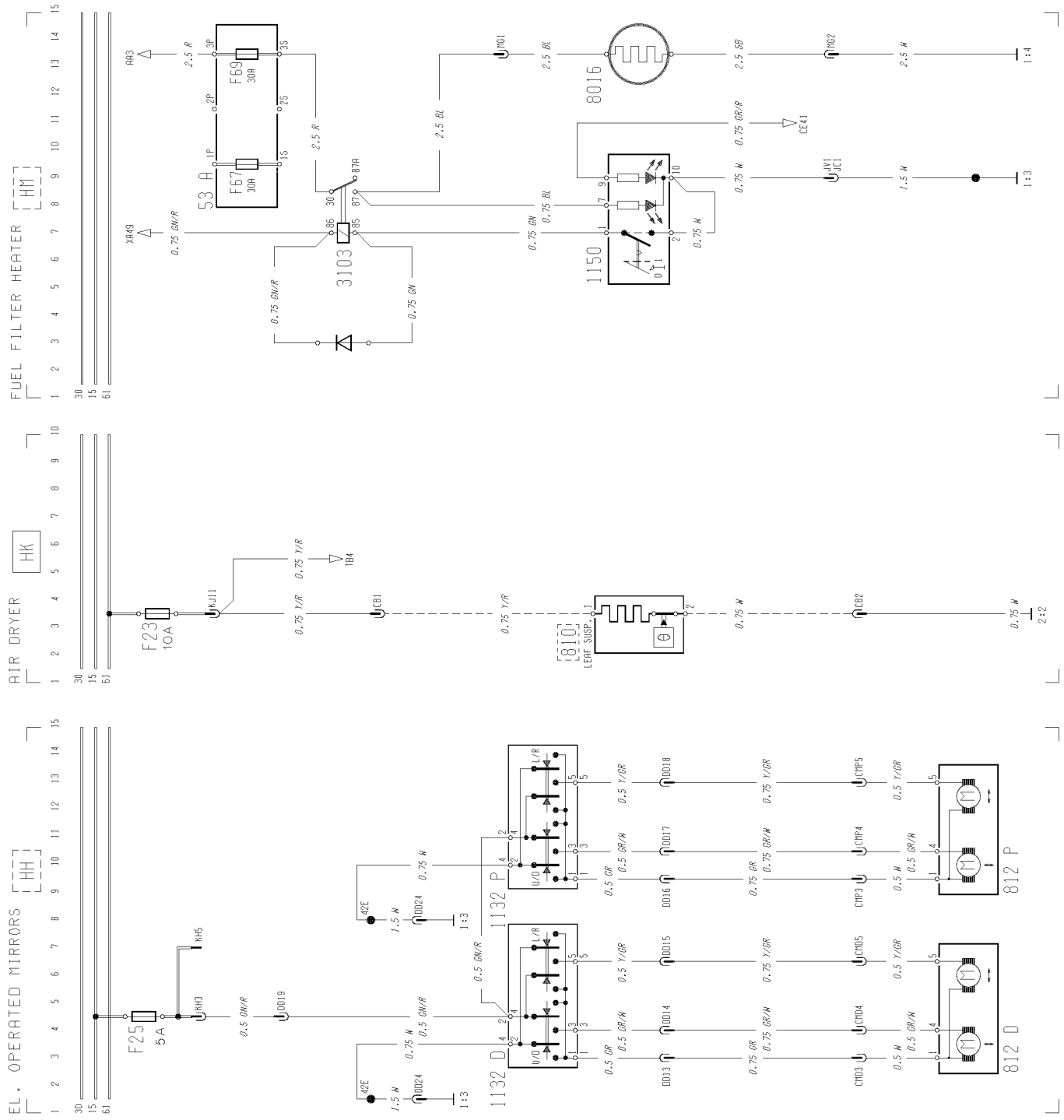
1 2 3 4 5 6 7 8 9 10 11 12 13 14 15 16 17 18 19 20 21 22 23 24 25 26 27 28 29 30 31 32 33 34 35 36 37 38 39 40



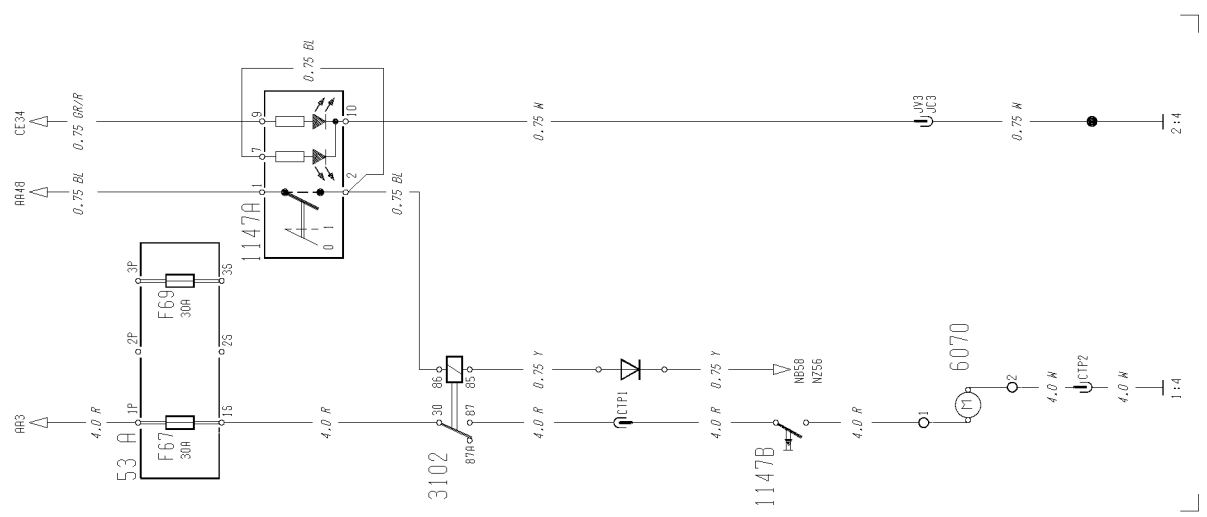
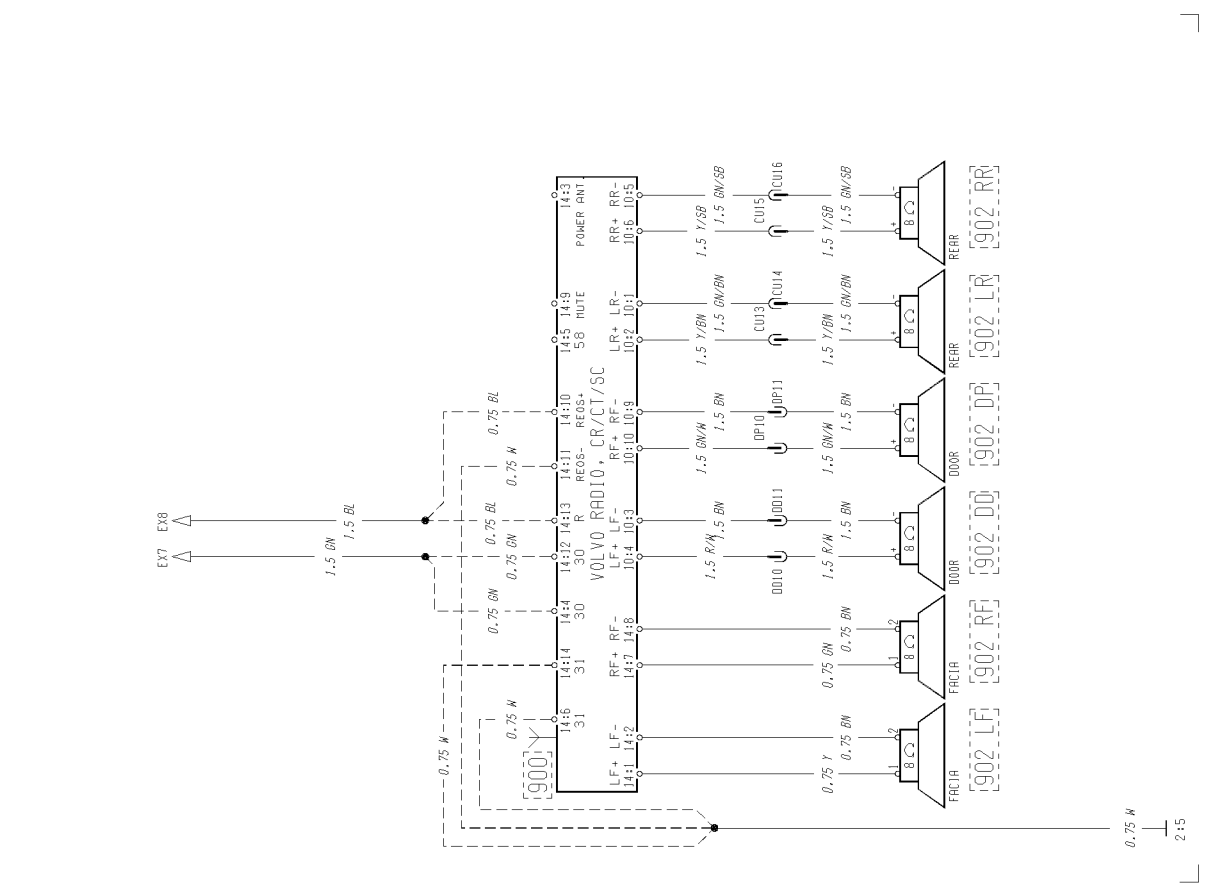
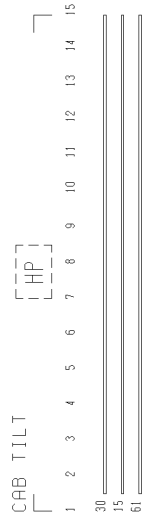
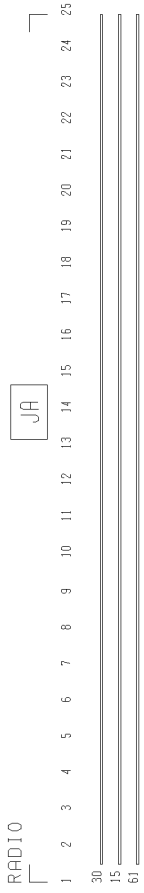
T3011402



T3011404



T3011405



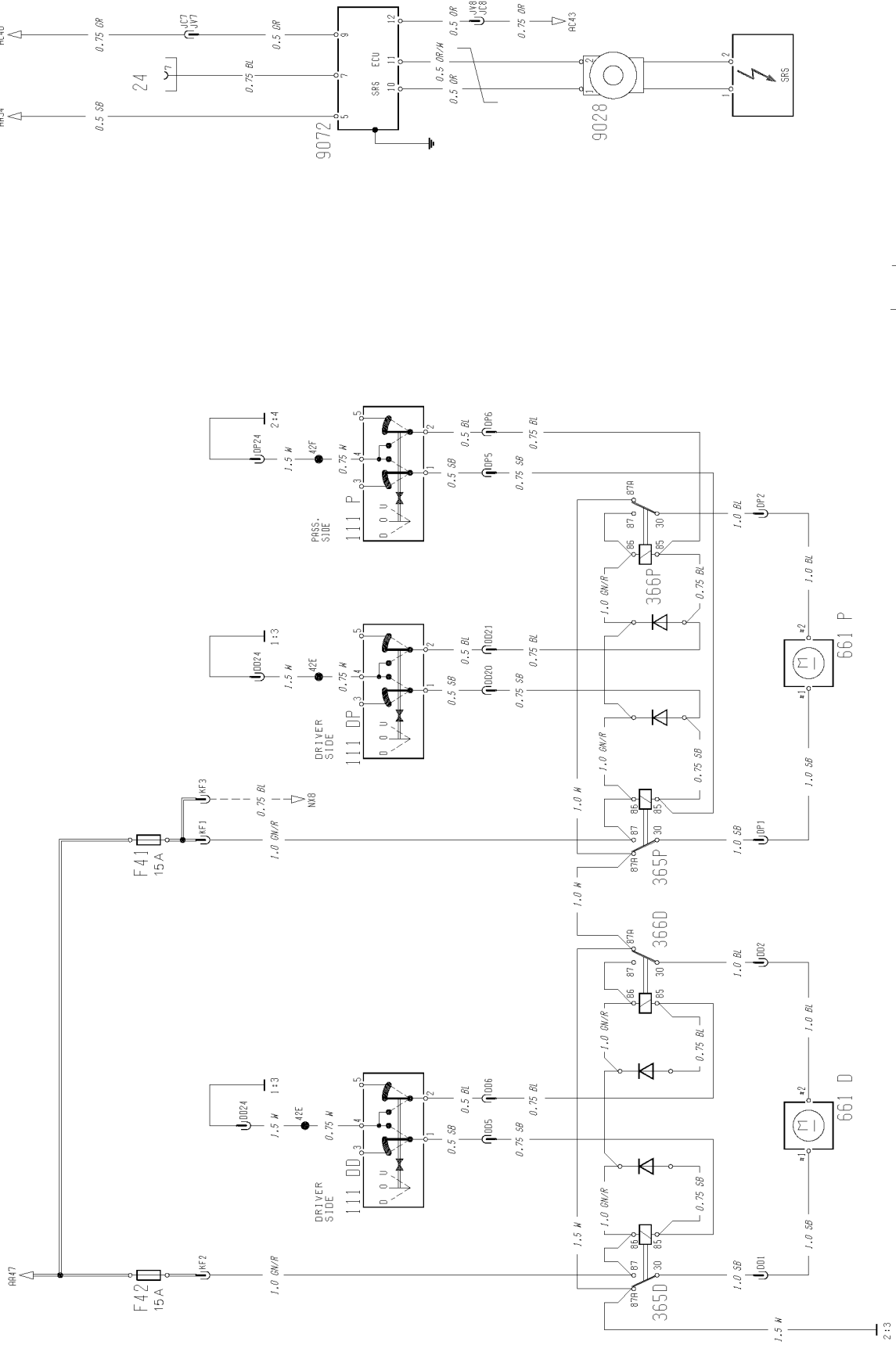
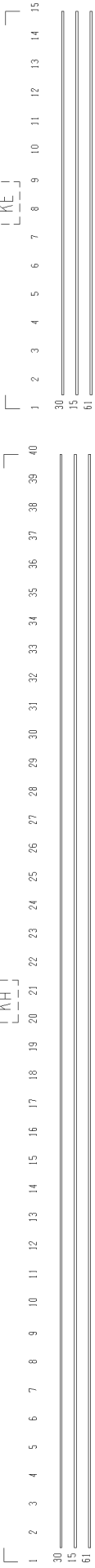
T3011406

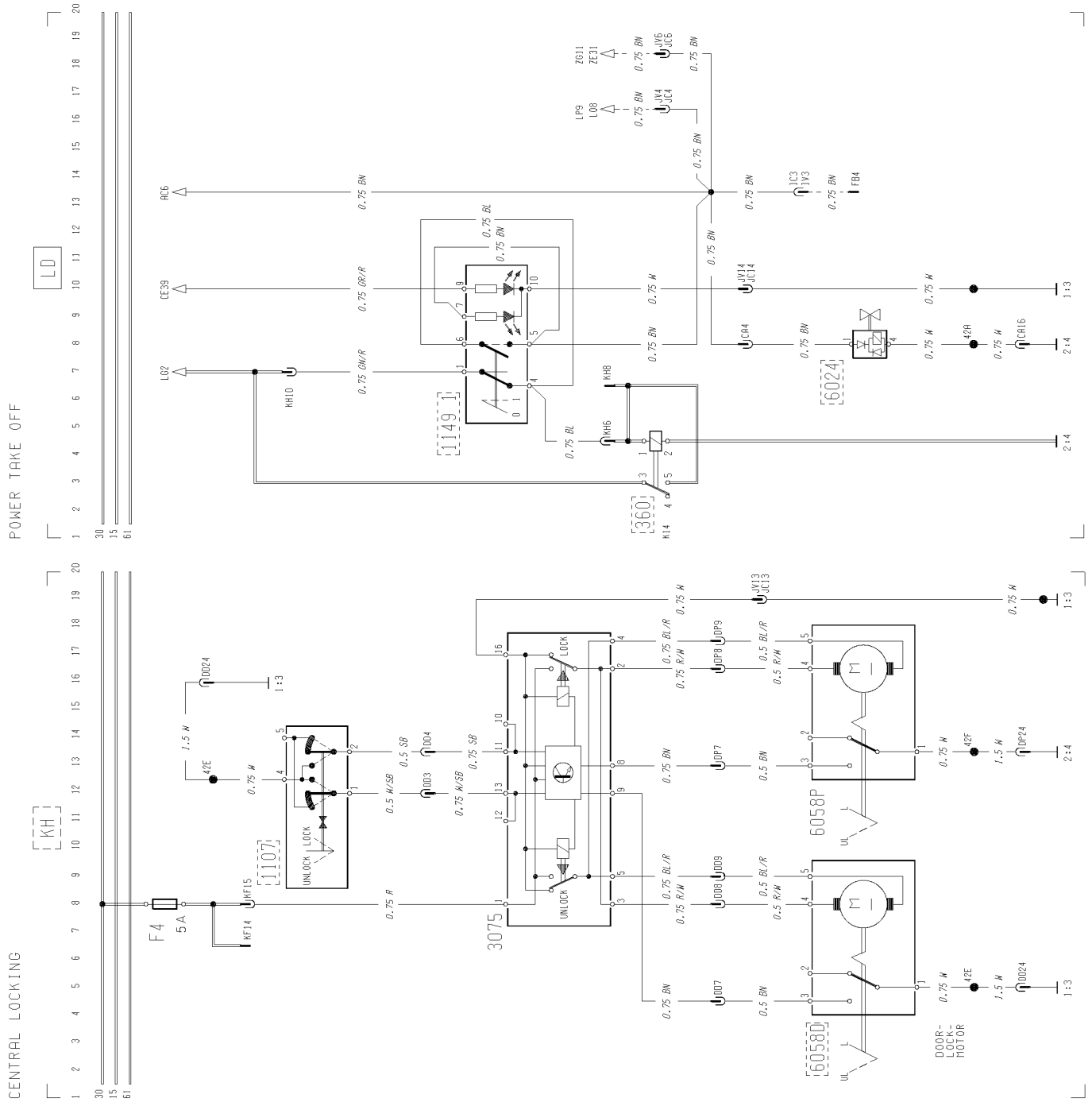
EL. WINDOW WINDBERS

[KA]

SRS. AIR-BAG

[KE]





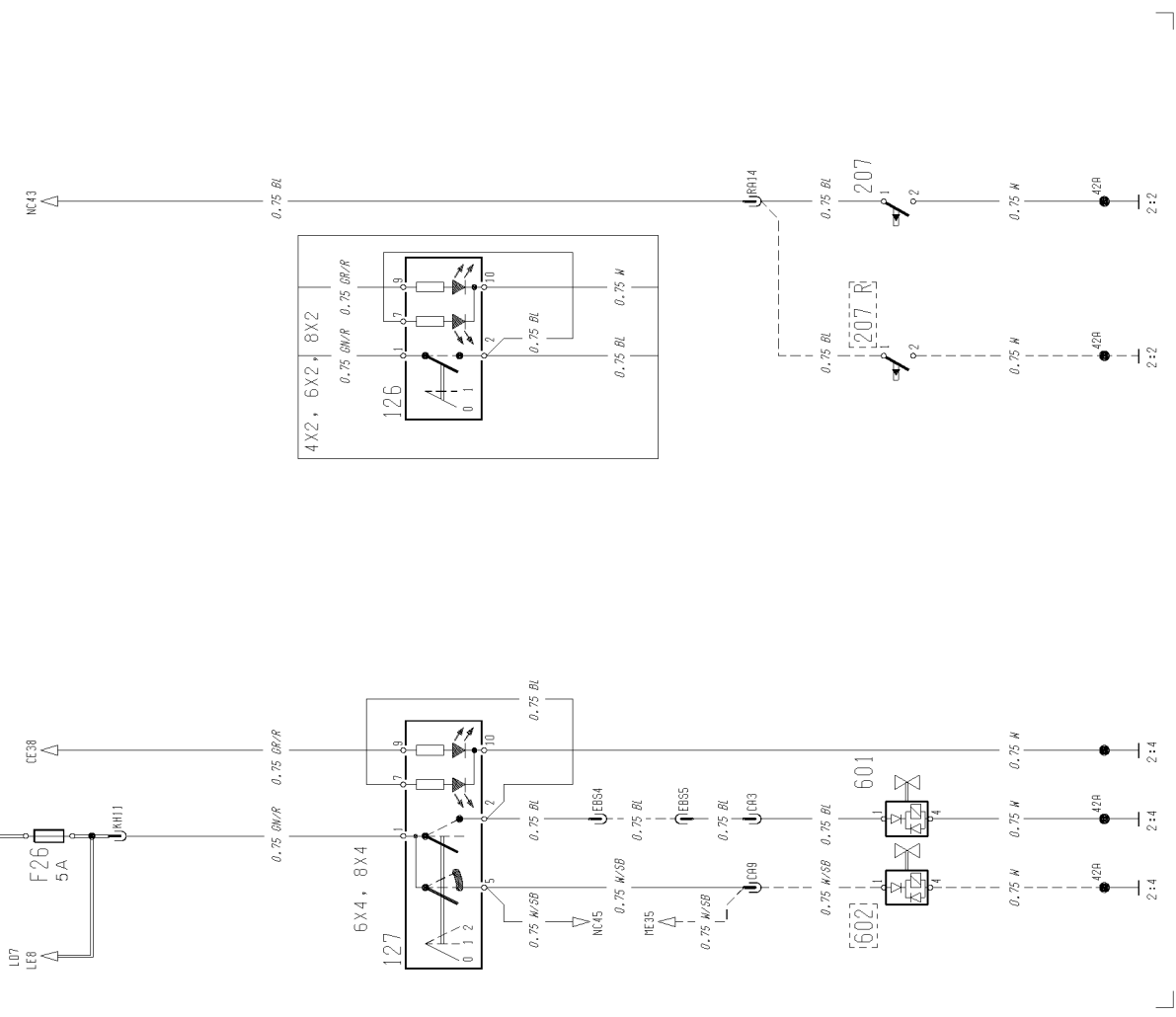
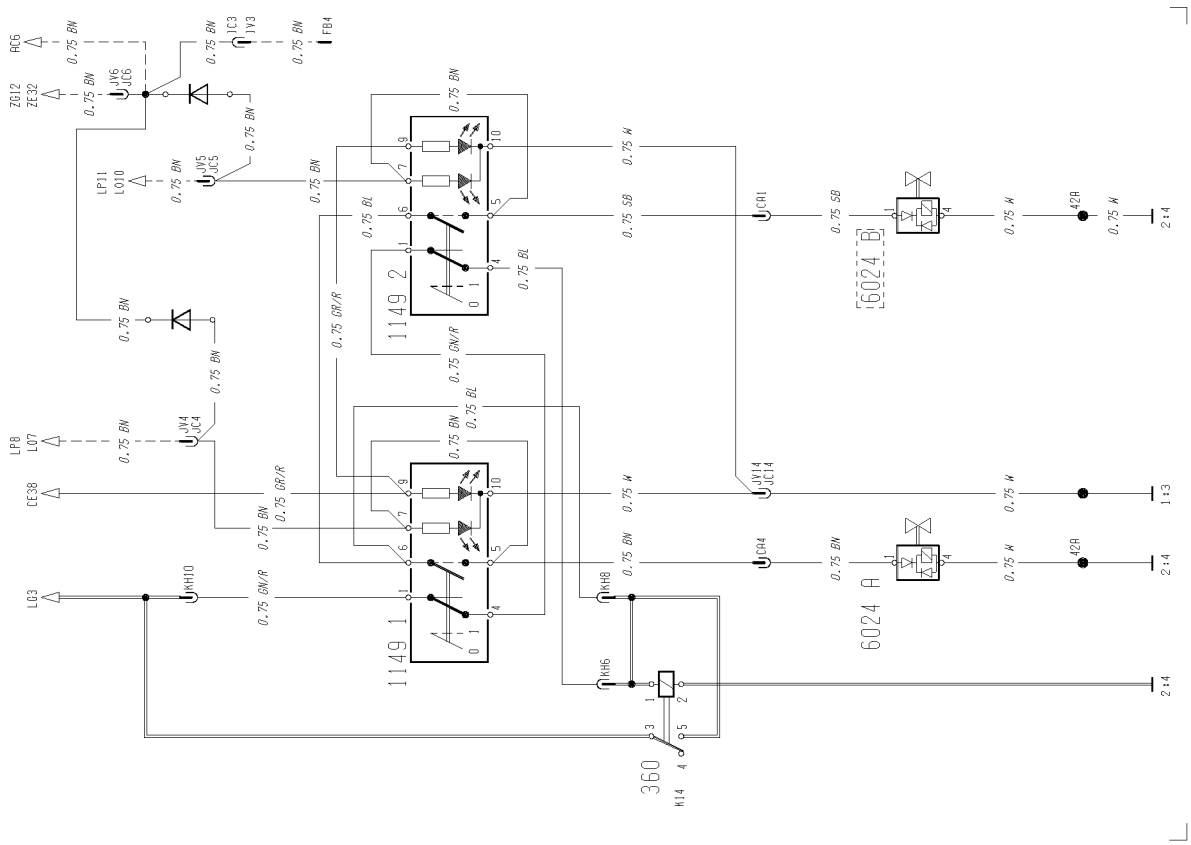
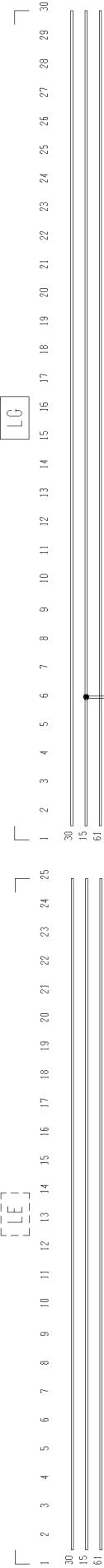
T3011408

DOUBLE POWER TAKE OFF

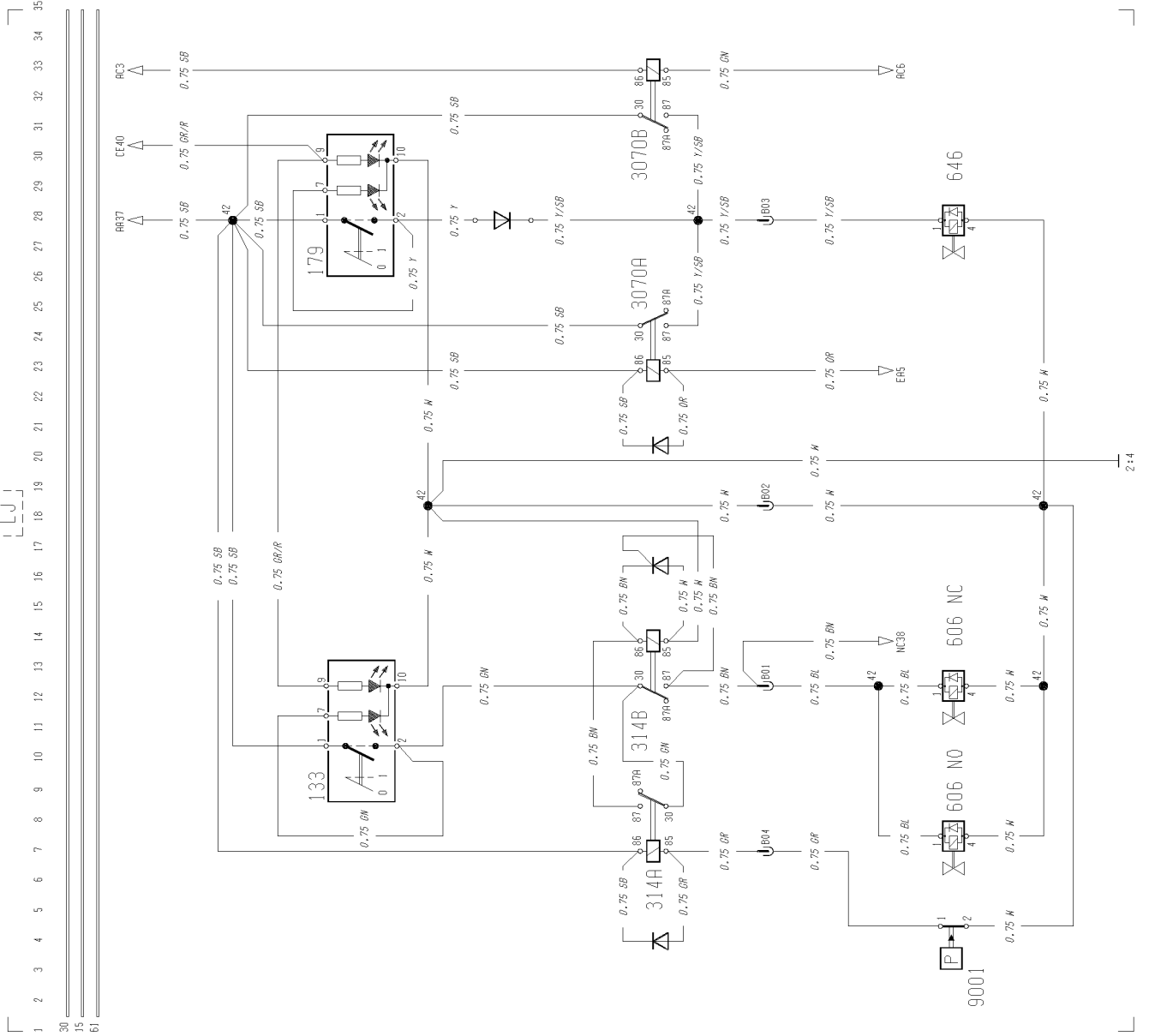
DIFF. - LOCK

[LE]

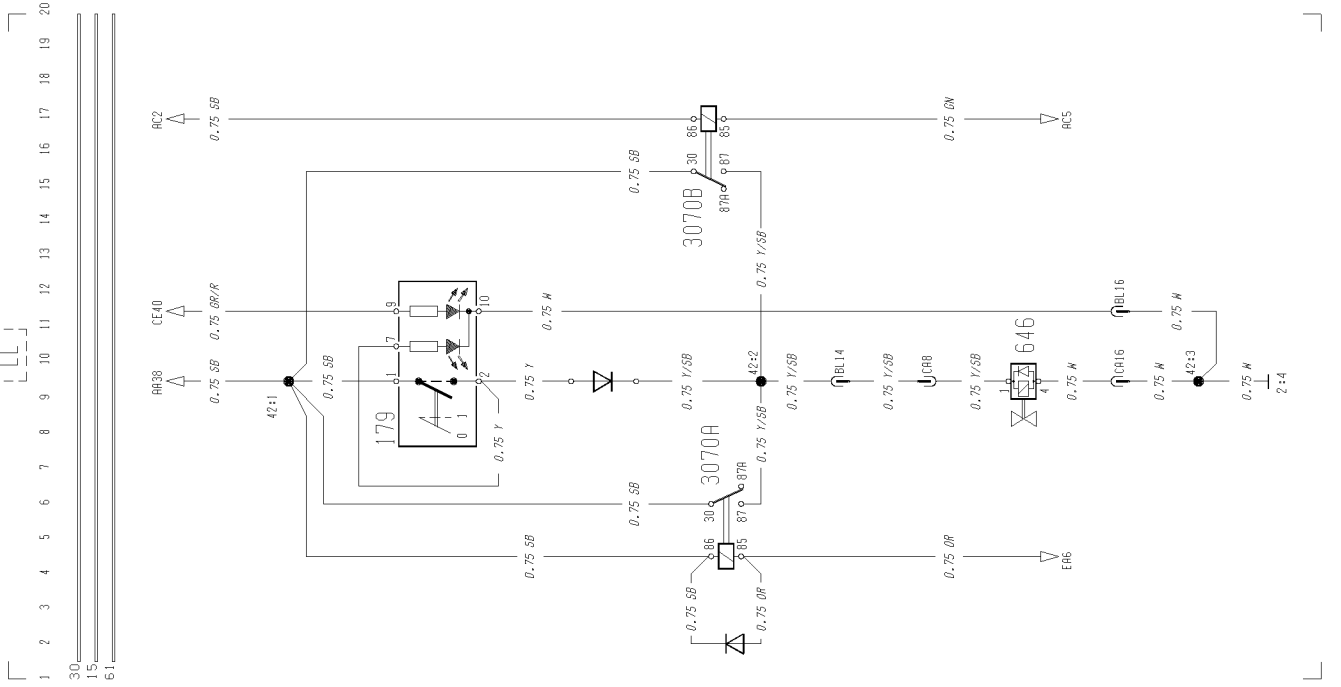
[LG]



BOGIE LIFT/TRAG AXLE LOCK, RADT-LA



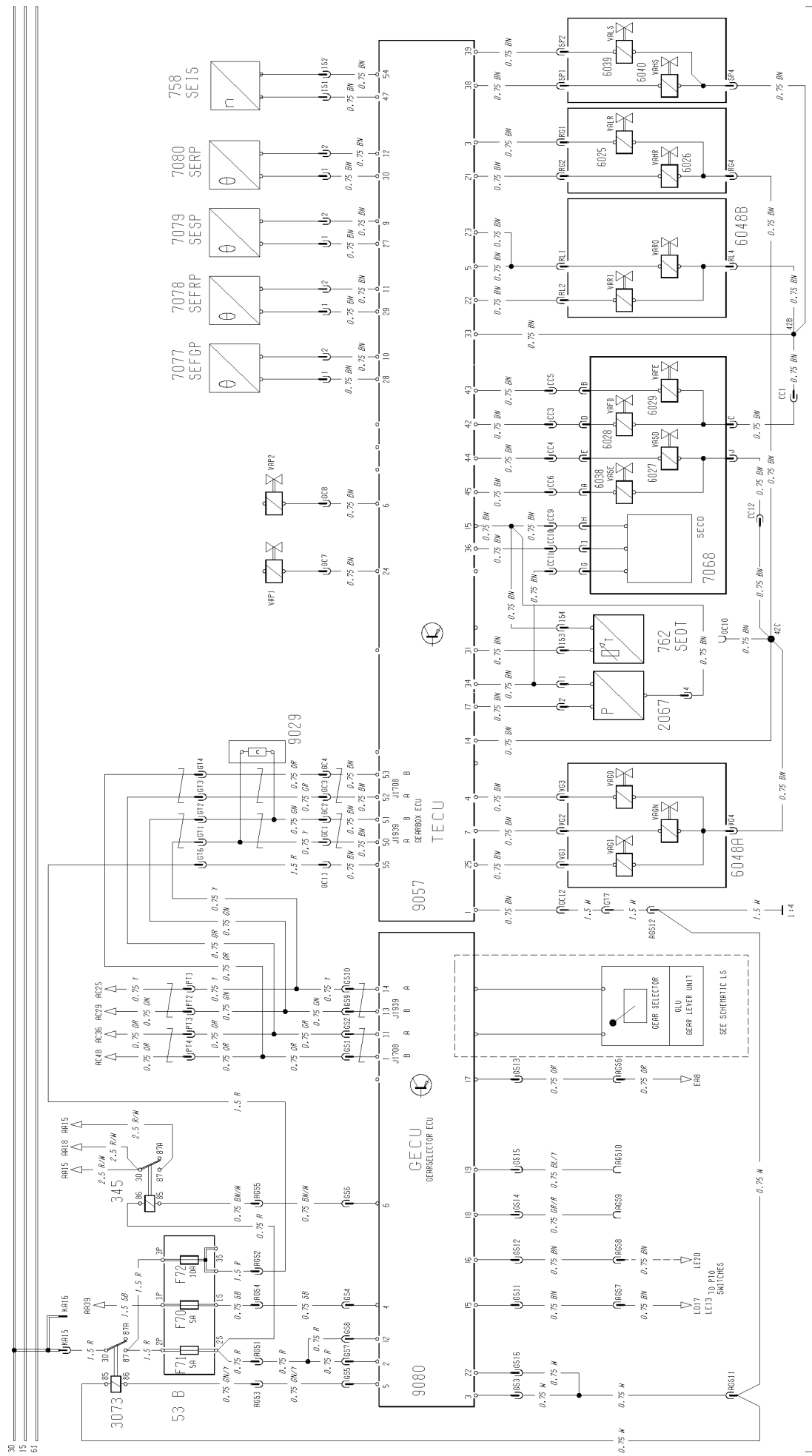
TRAG AXLE LOCK, RADT-R6S

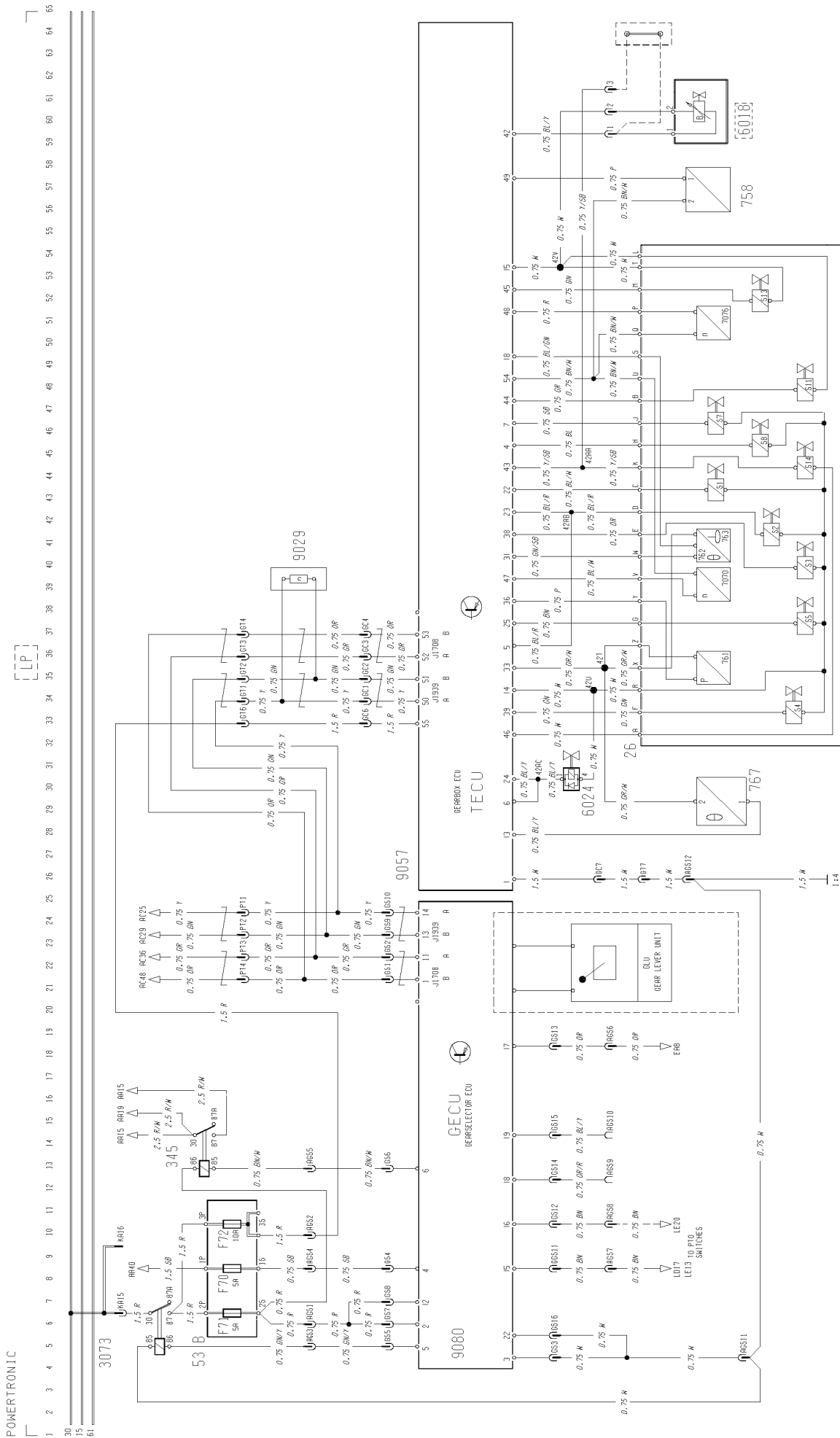


GEARTRONIC, AUTOMATIC GEARSHIFT

[10]

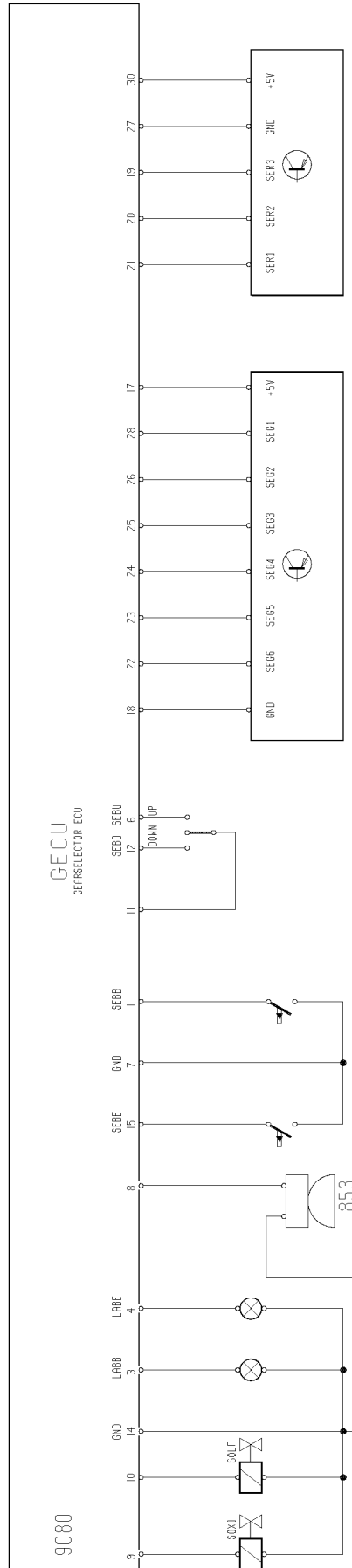
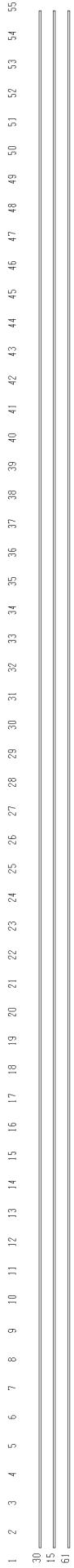
1 2 3 4 5 6 7 8 9 10 11 12 13 14 15 16 17 18 19 20 21 22 23 24 25 26 27 28 29 30 31 32 33 34 35 36 37 38 39 40 41 42 43 44 45 46 47 48 49 50 51 52 53 54 55 56 57 58 59 60 61 62 63 64 65

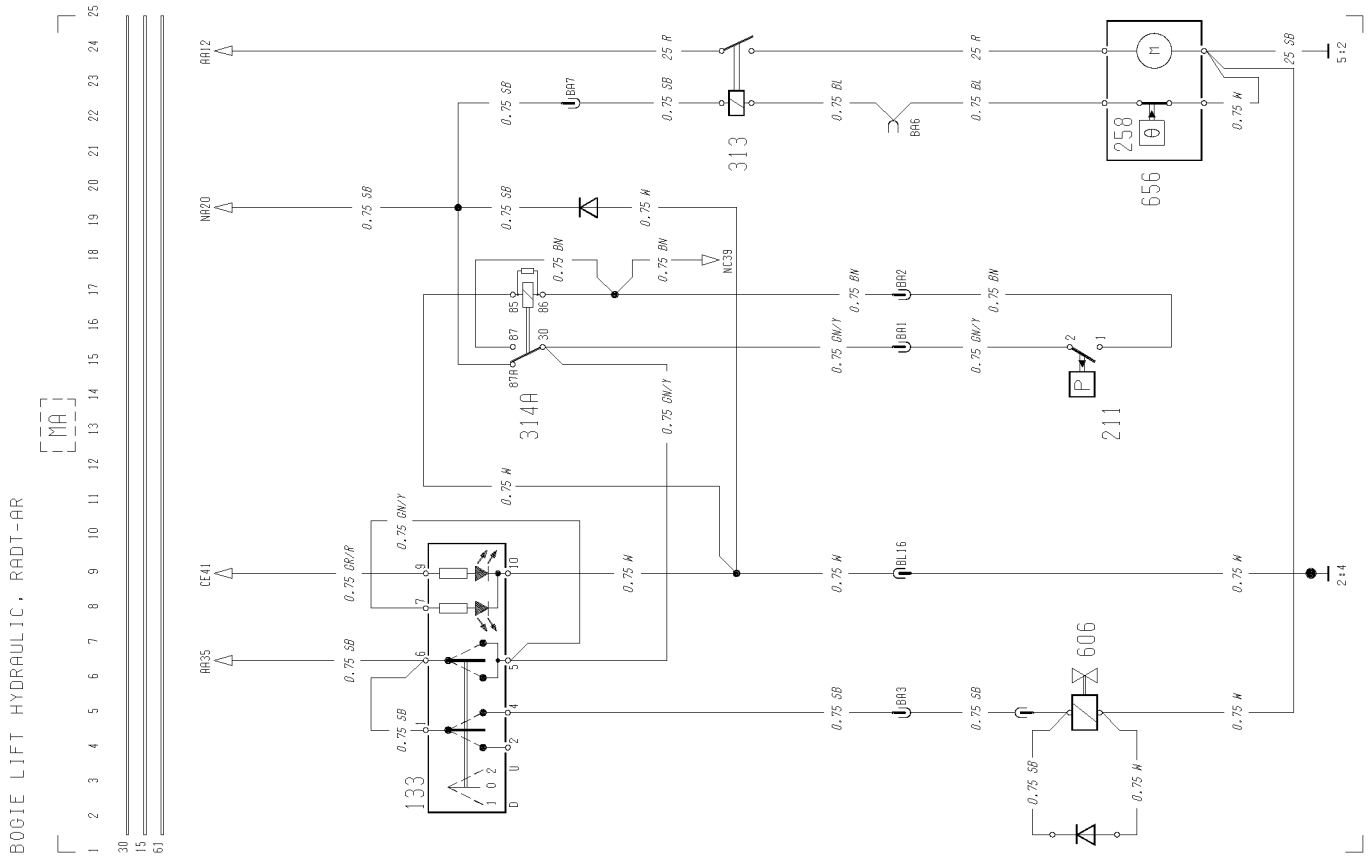




GLU, GEAR SELECTOR, GEARTRONIC

[LS]



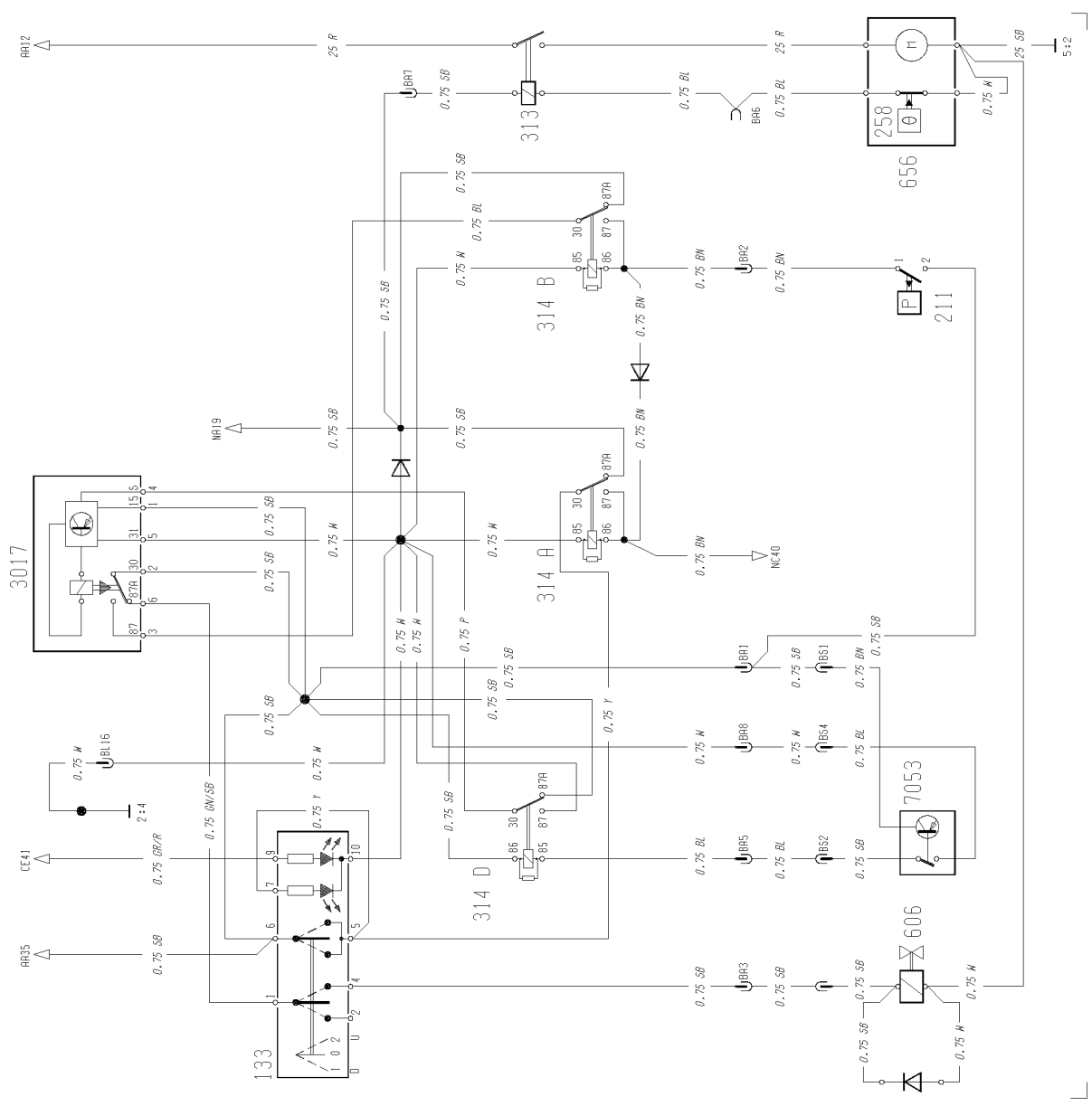


T3011414

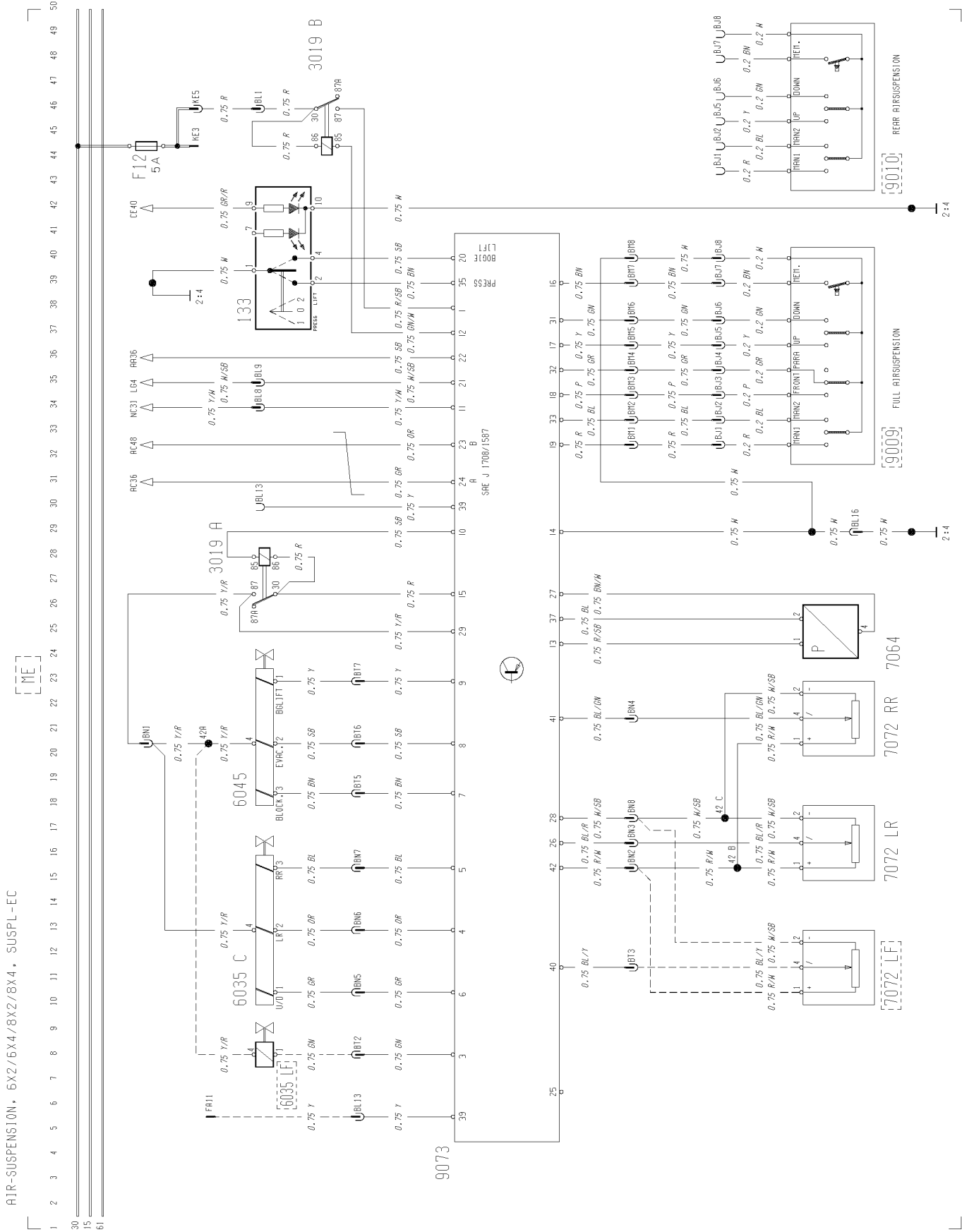
BOGIE LIFT HYDRAULIC WITH AXLE LOAD LIMITER, RADT-AR

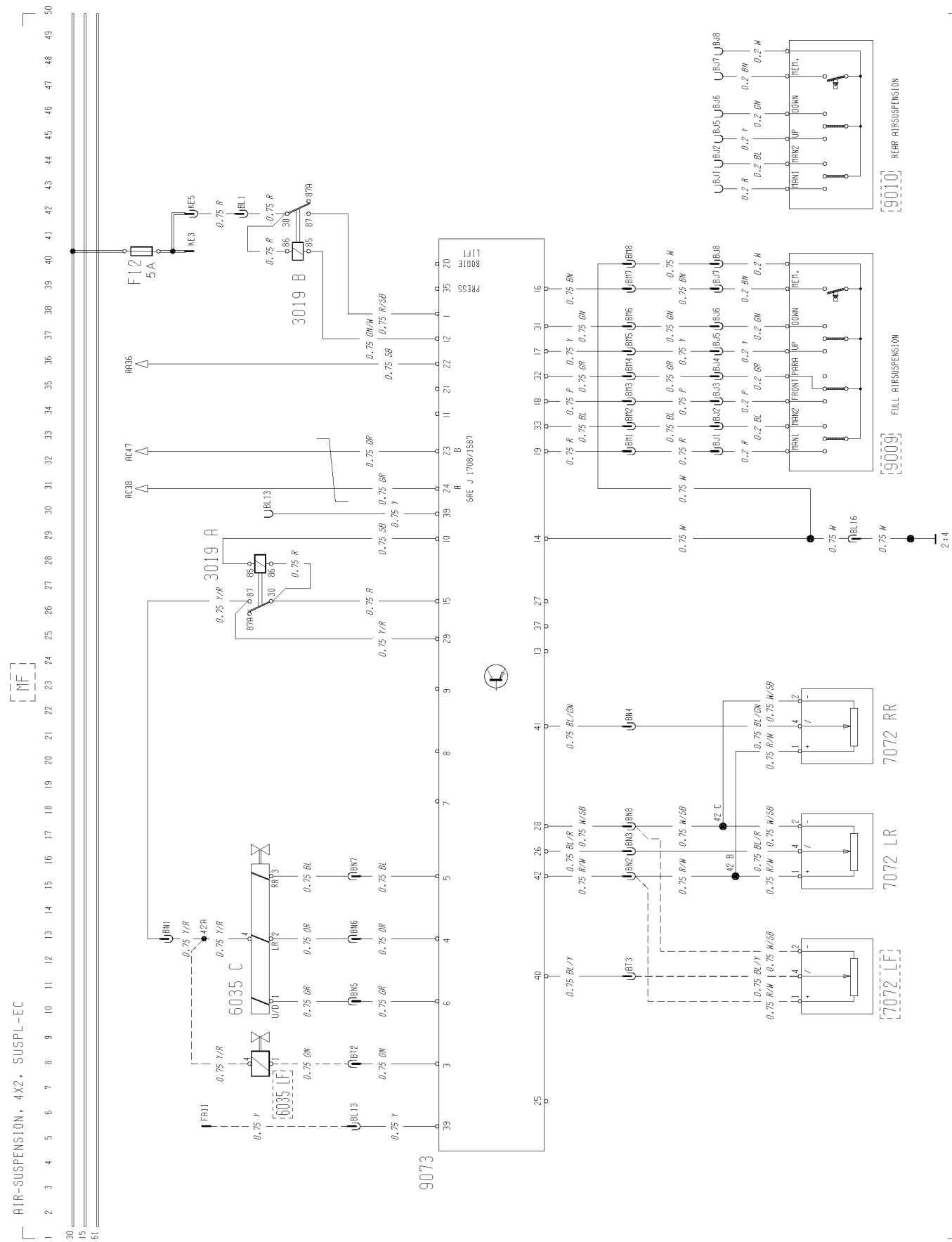
[MD]

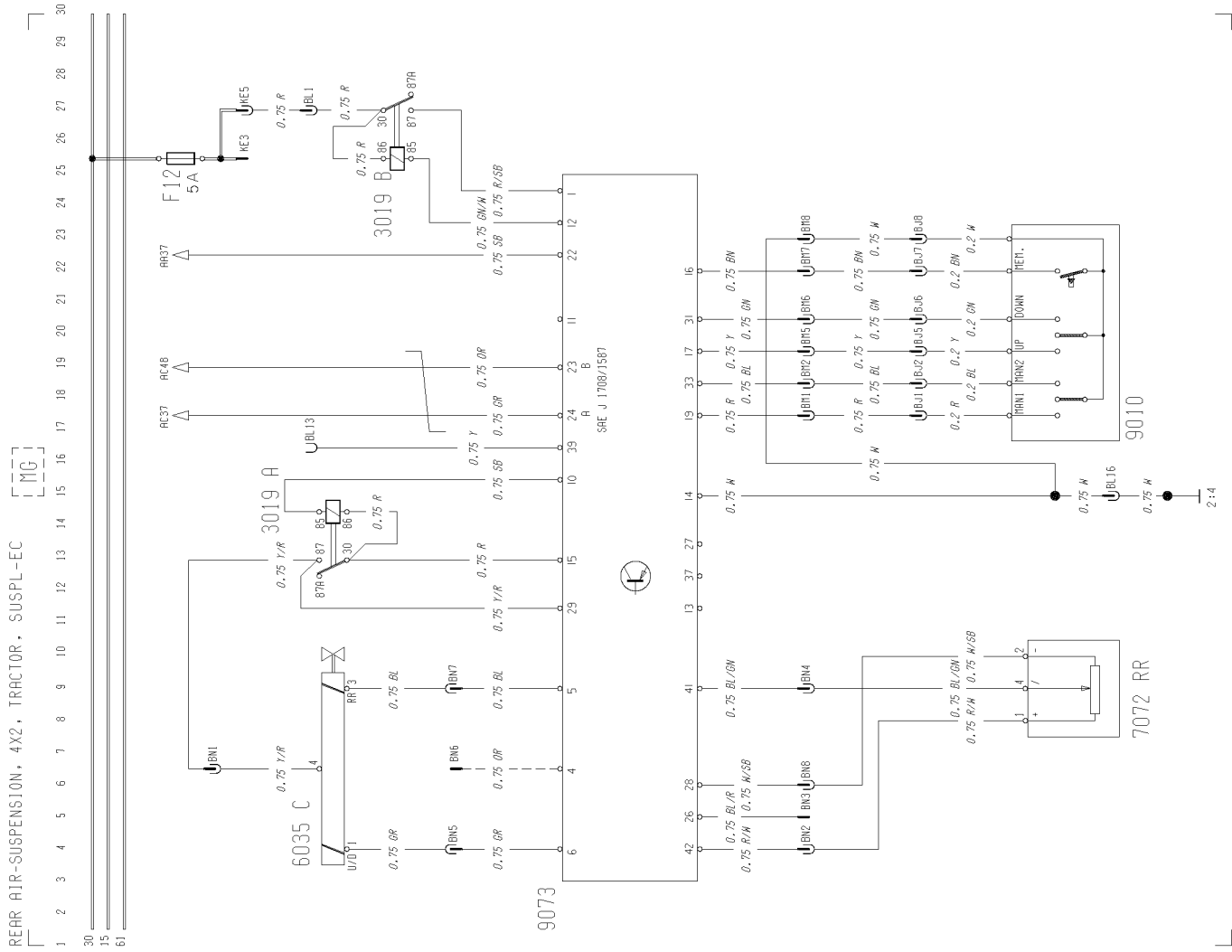
1 2 3 4 5 6 7 8 9 10 11 12 13 14 15 16 17 18 19 20 21 22 23 24 25 26 27 28 29 30 31 32 33 34 35
 30
 15
 61



T3011415





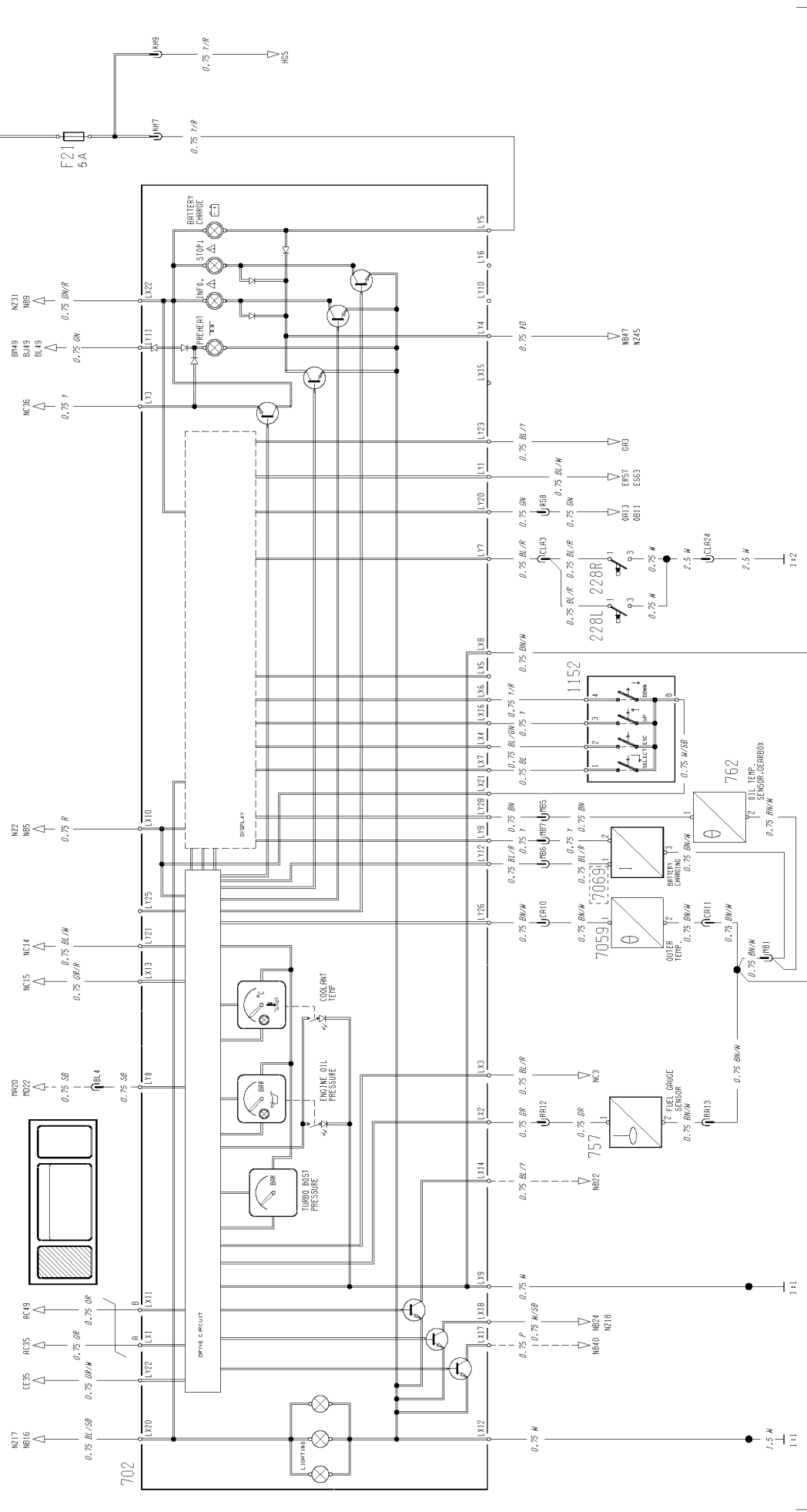


T3011418

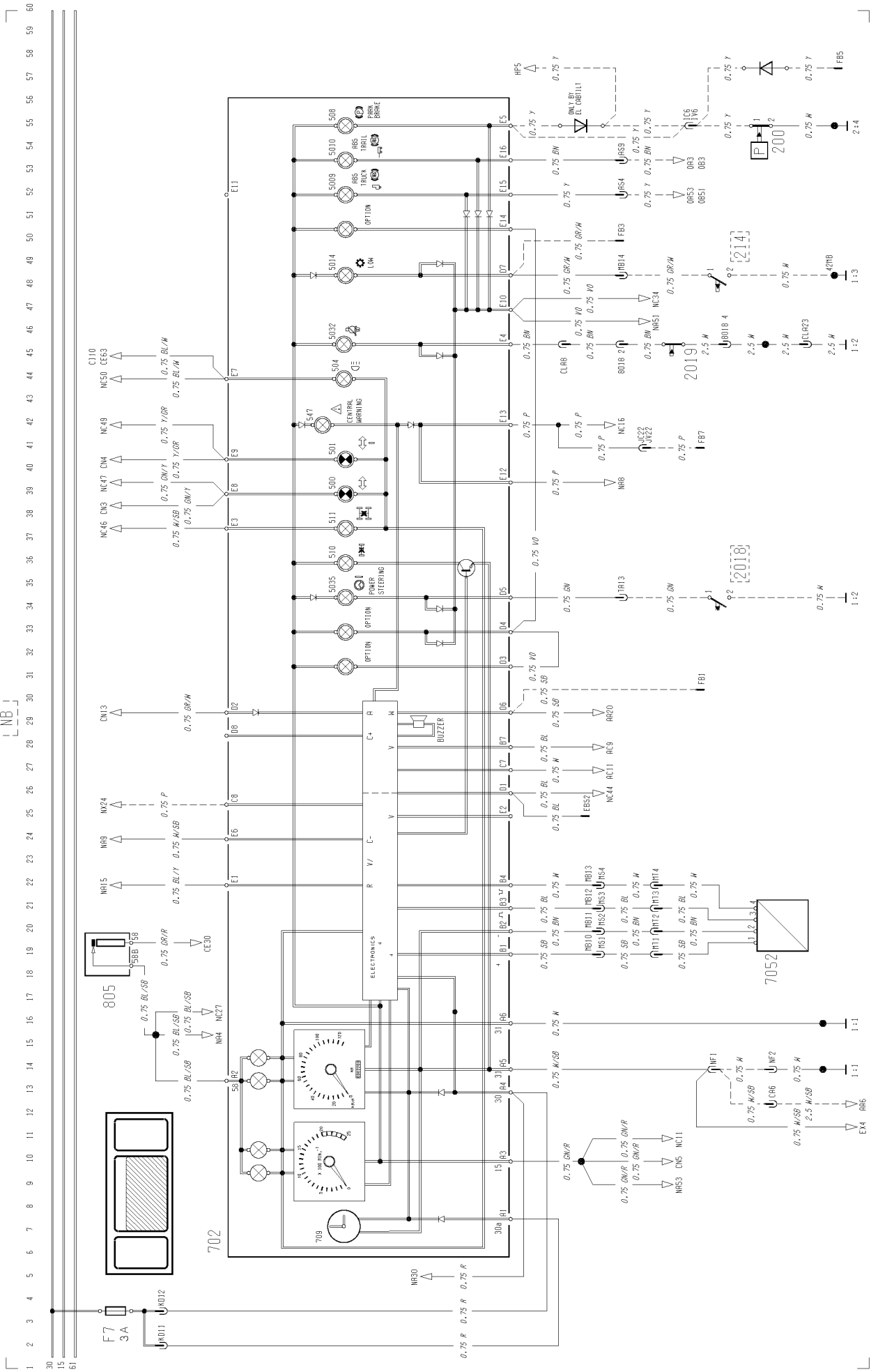
INSTRUMENT, LHS. MODULE

NA

1 2 3 4 5 6 7 8 9 10 11 12 13 14 15 16 17 18 19 20 21 22 23 24 25 26 27 28 29 30 31 32 33 34 35 36 37 38 39 40 41 42 43 44 45 46 47 48 49 50 51 52 53 54 55 56 57 58 59 60 61 62 63 64 65



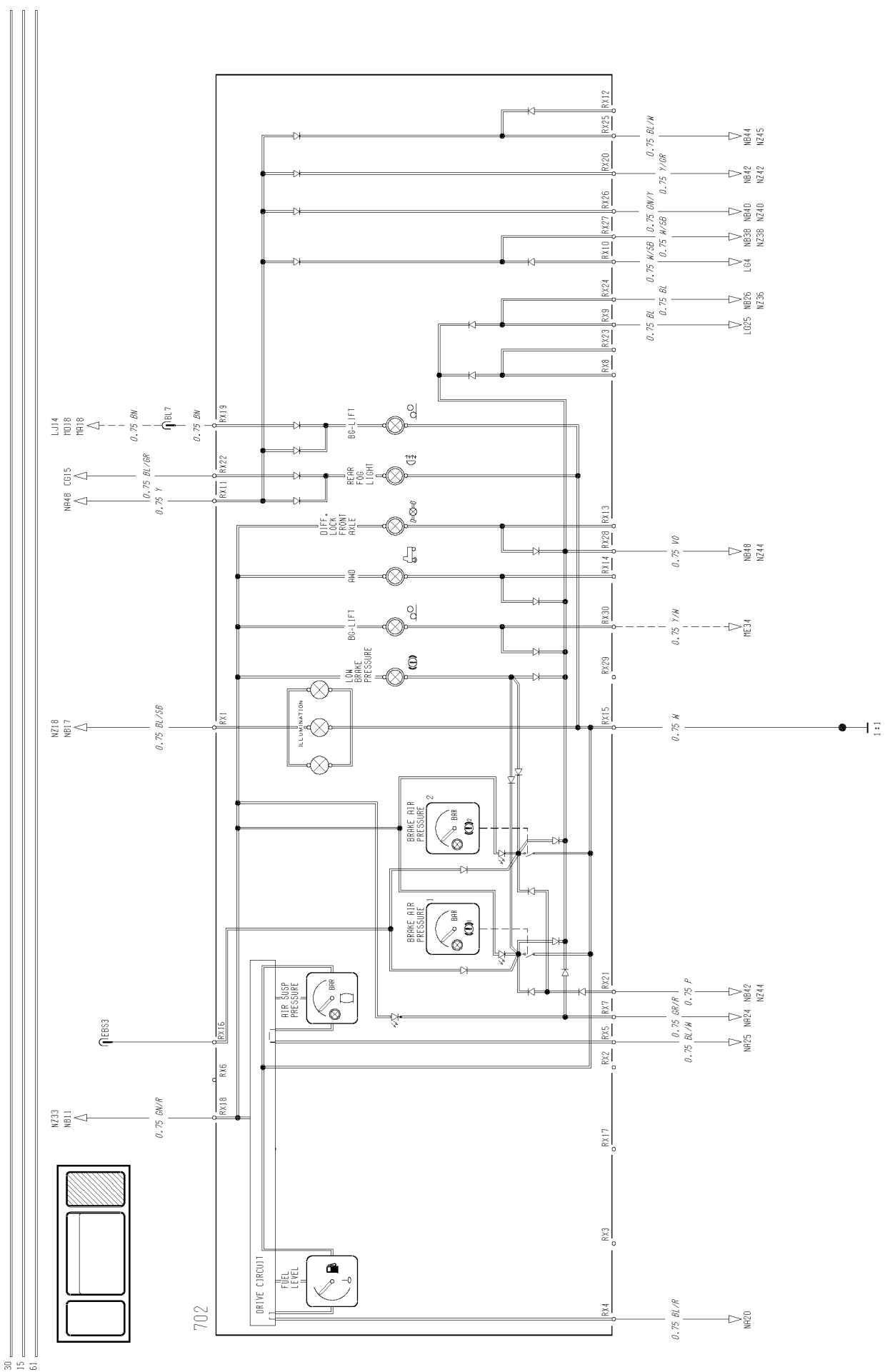
INSTRUMENT, CENTRE MODULE WITH TACHOGRAPH



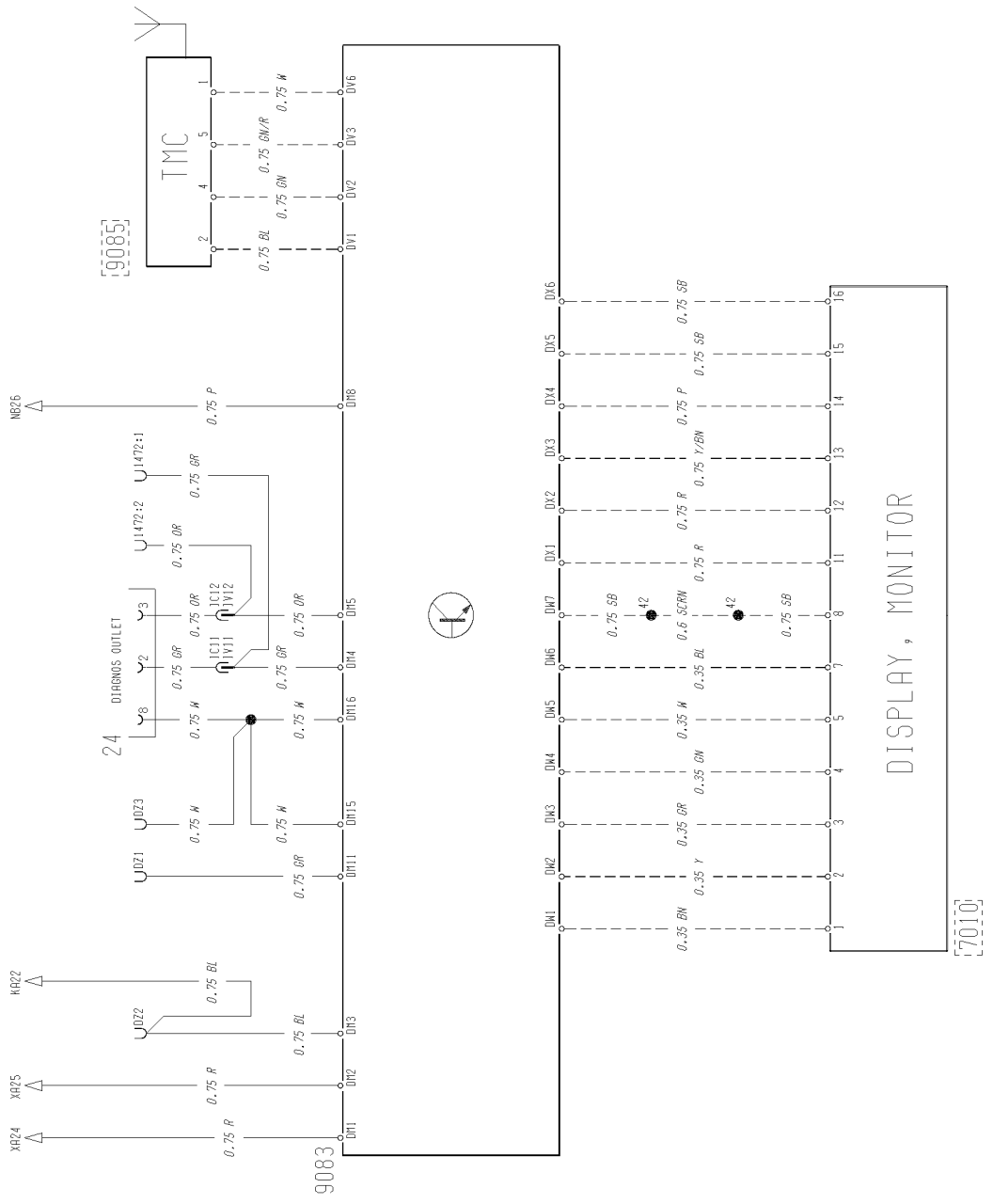
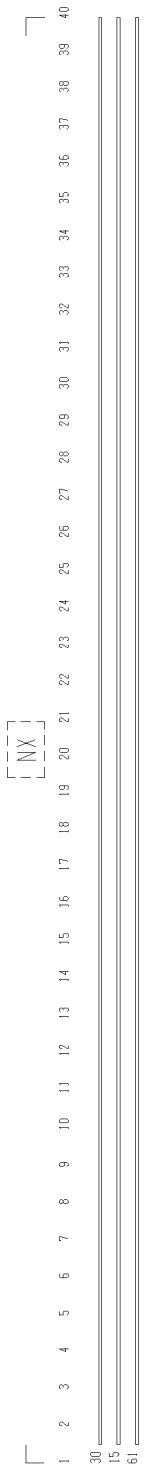
INSTRUMENT, RHS. MODULE.

1 2 3 4 5 6 7 8 9 10 11 12 13 14 15 16 17 18 19 20 21 22 23 24 25 26 27 28 29 30 31 32 33 34 35 36 37 38 39 40 41 42 43 44 45 46 47 48 49 50 51 52 53 54 55

NC



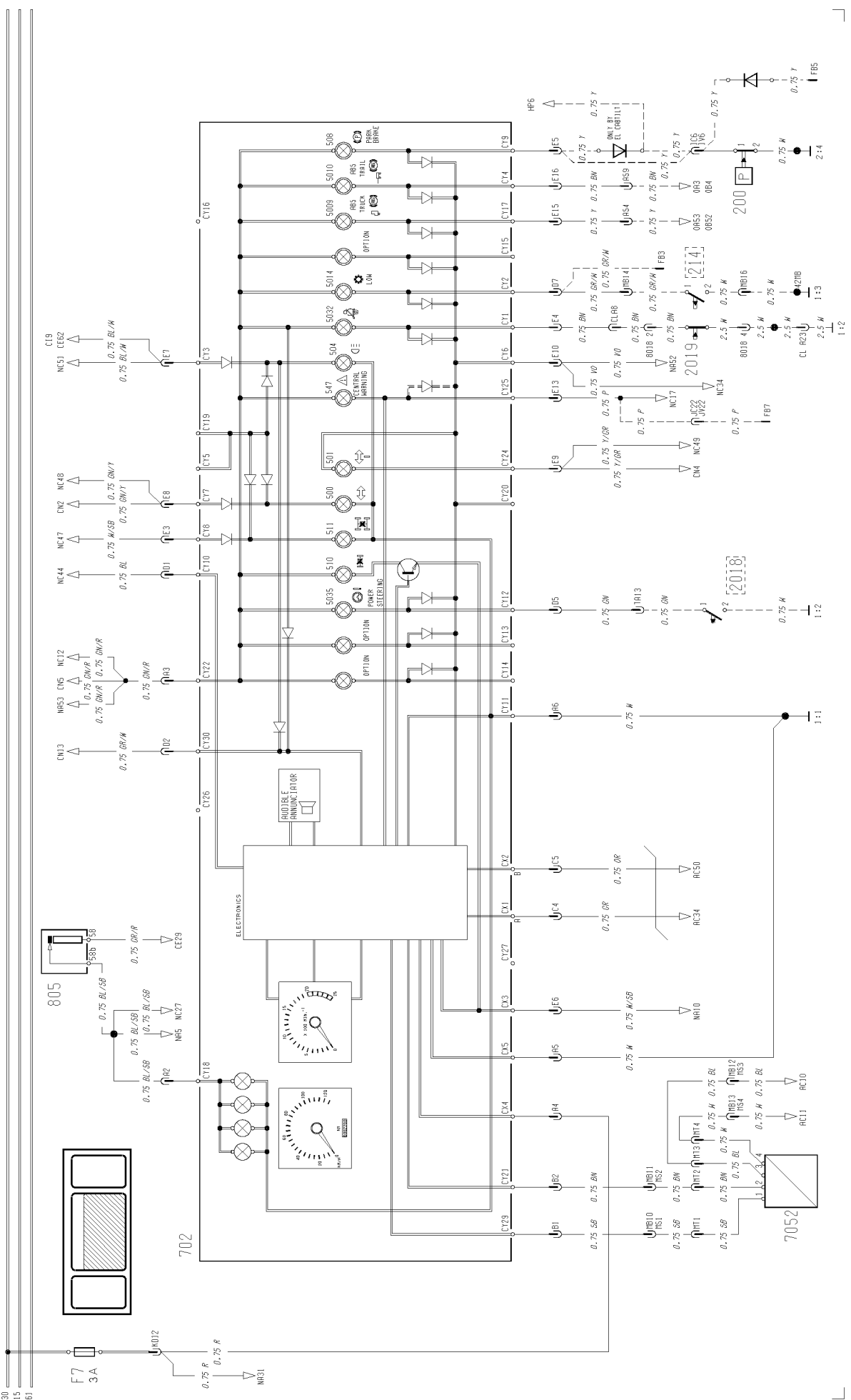
DYNAFLEET



T3011422

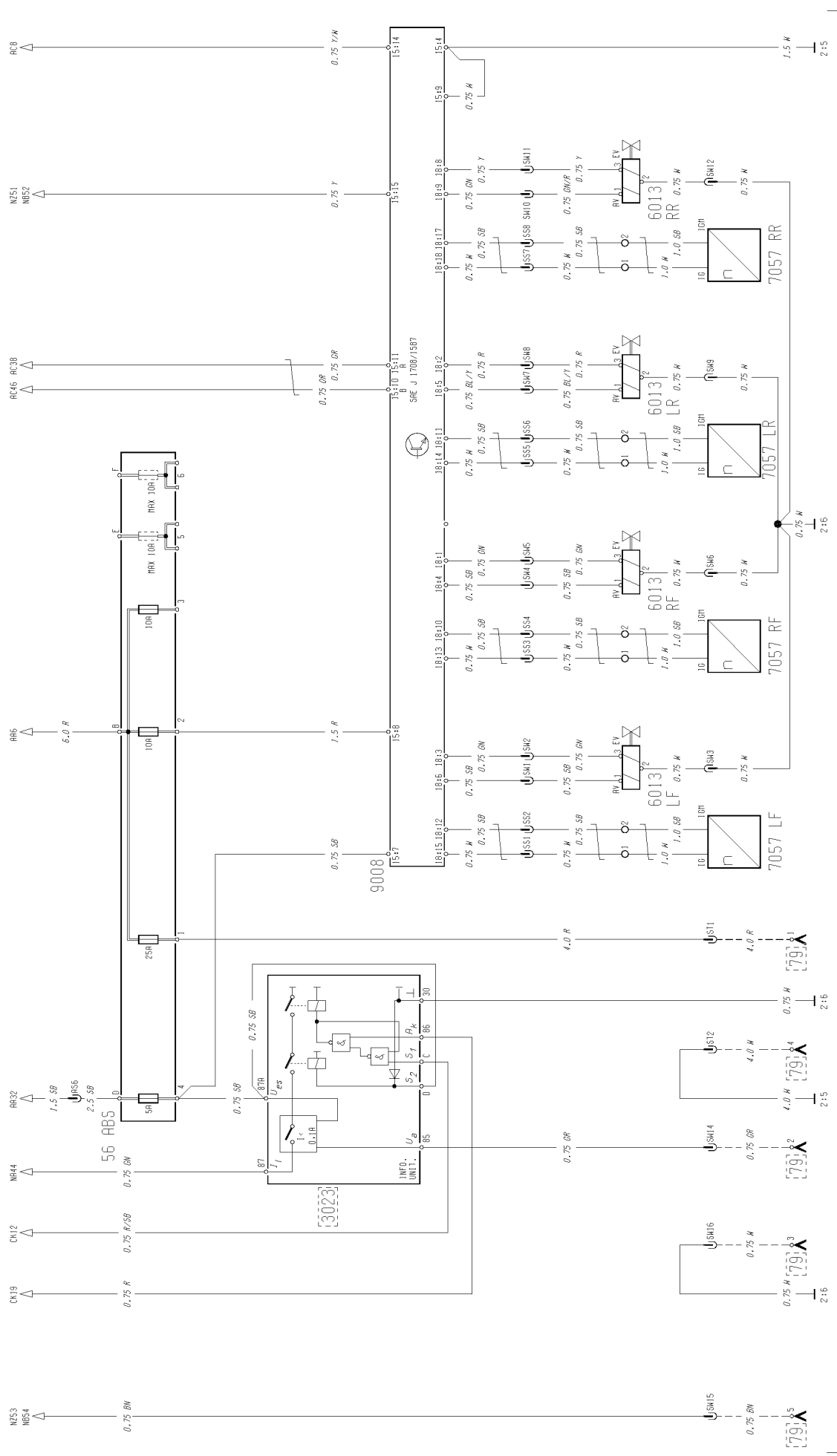
INSTRUMENT CENTRE MODULE WITHOUT TACHOGRAPH

1 2 3 4 5 6 7 8 9 10 11 12 13 14 15 16 17 18 19 20 21 22 23 24 25 26 27 28 29 30 31 32 33 34 35 36 37 38 39 40 41 42 43 44 45 46 47 48 49 50 51 52 53 54 55 56 57 58 59 60



BASIC ABS... D-VERSION

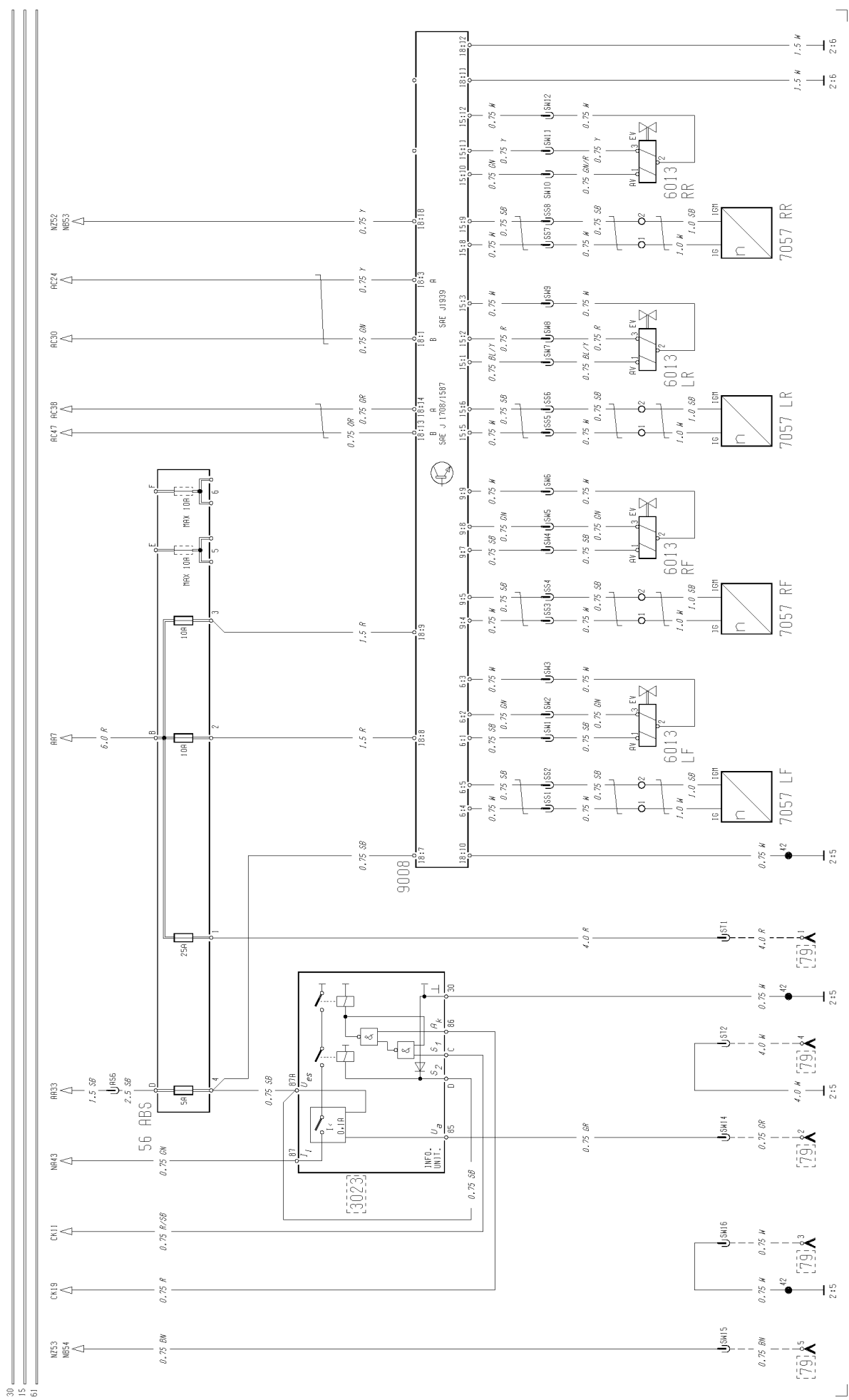
1 2 3 4 5 6 7 8 9 10 11 12 13 14 15 16 17 18 19 20 21 22 23 24 25 26 27 28 29 30 31 32 33 34 35 36 37 38 39 40 41 42 43 44 45 46 47 48 49 50 51 52 53 54 55 56 57 58 59 60
30
15
61

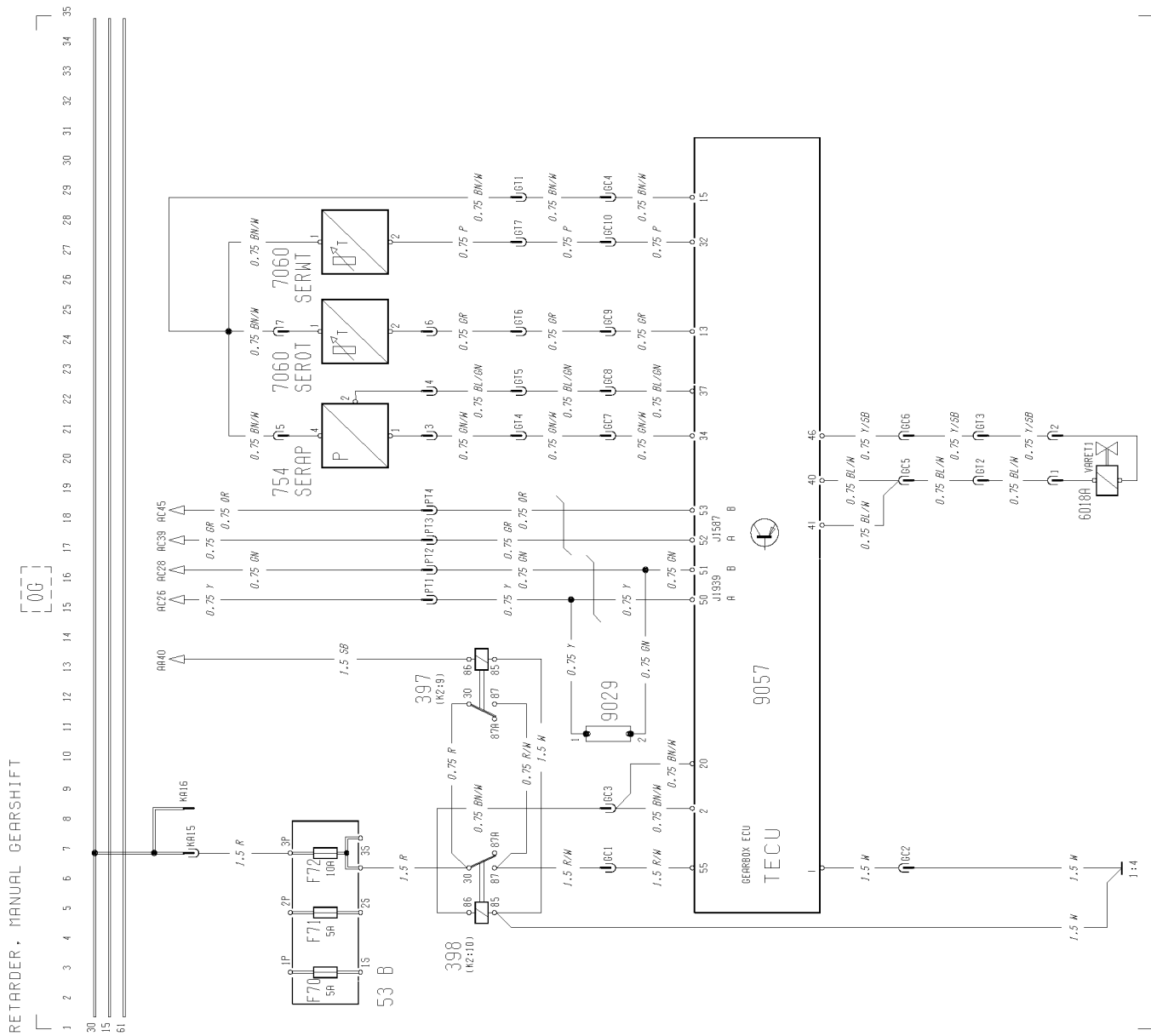


ABS/ASR . . . D-VERSION

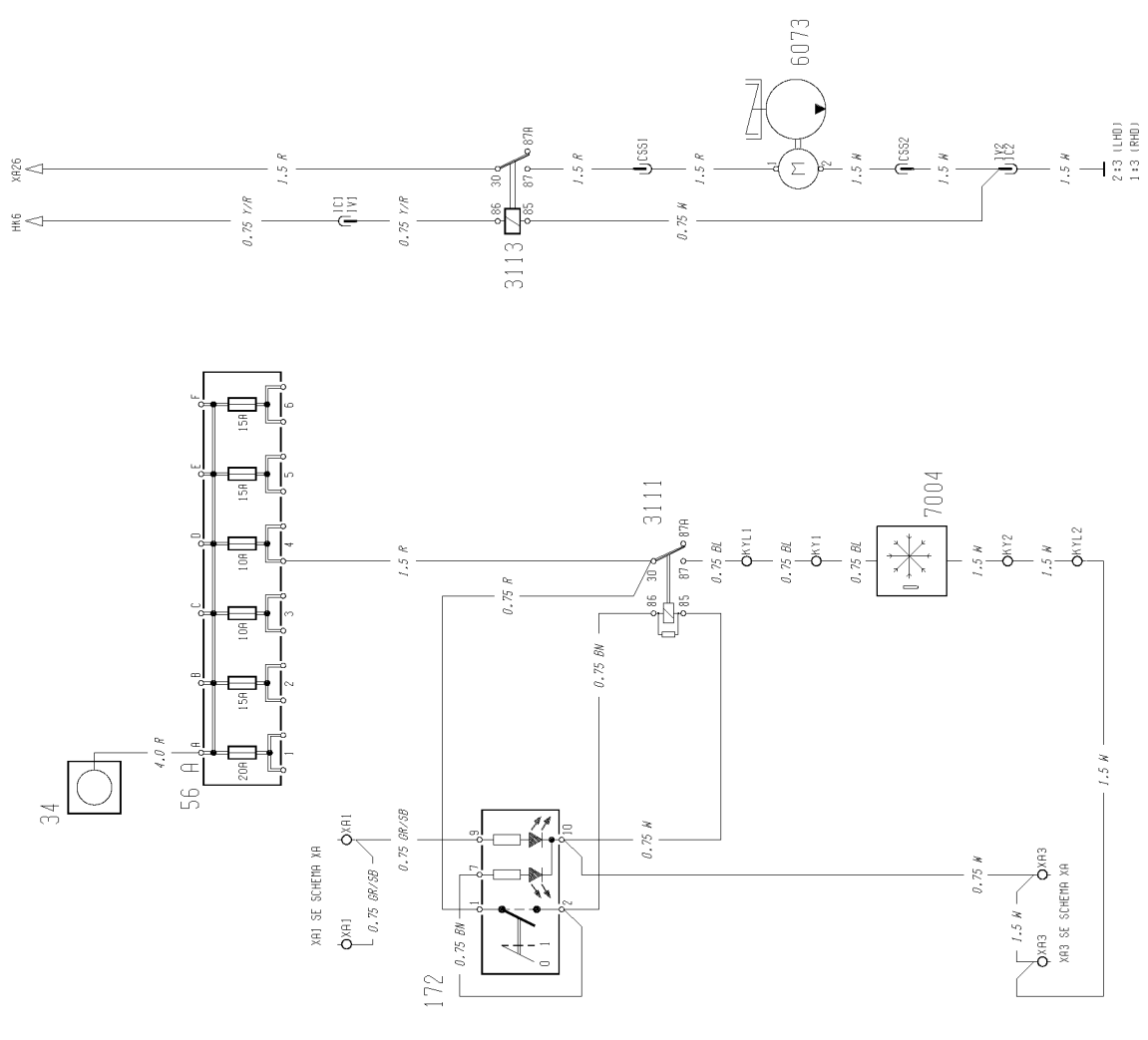
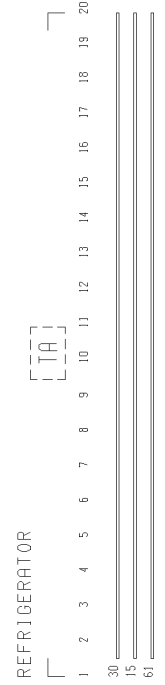
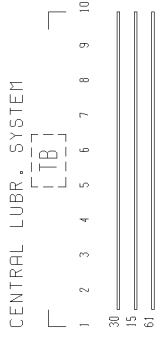
08

1 2 3 4 5 6 7 8 9 10 11 12 13 14 15 16 17 18 19 20 21 22 23 24 25 26 27 28 29 30 31 32 33 34 35 36 37 38 39 40 41 42 43 44 45 46 47 48 49 50 51 52 53 54 55 56 57 58 59 60





T3011426

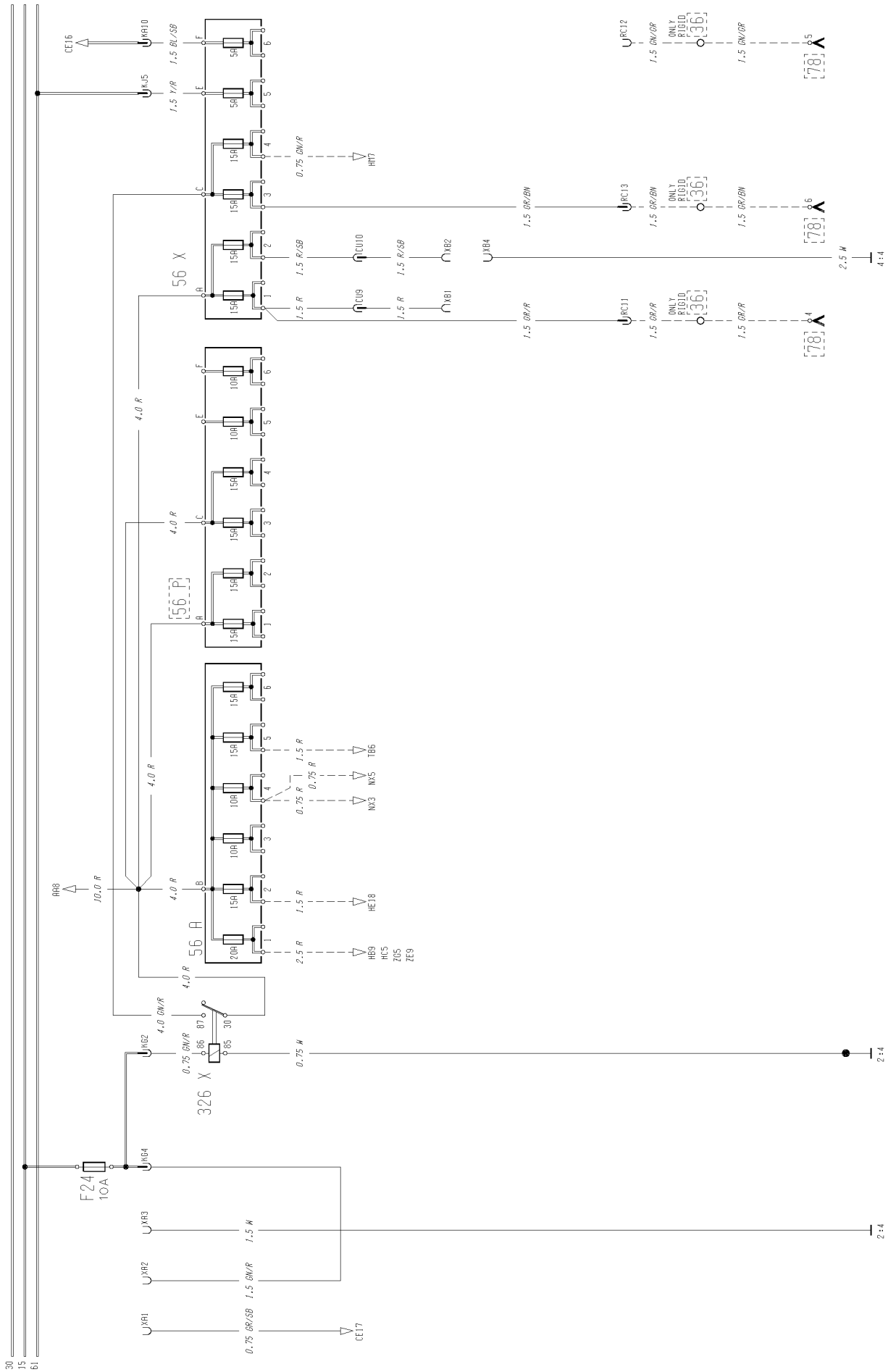


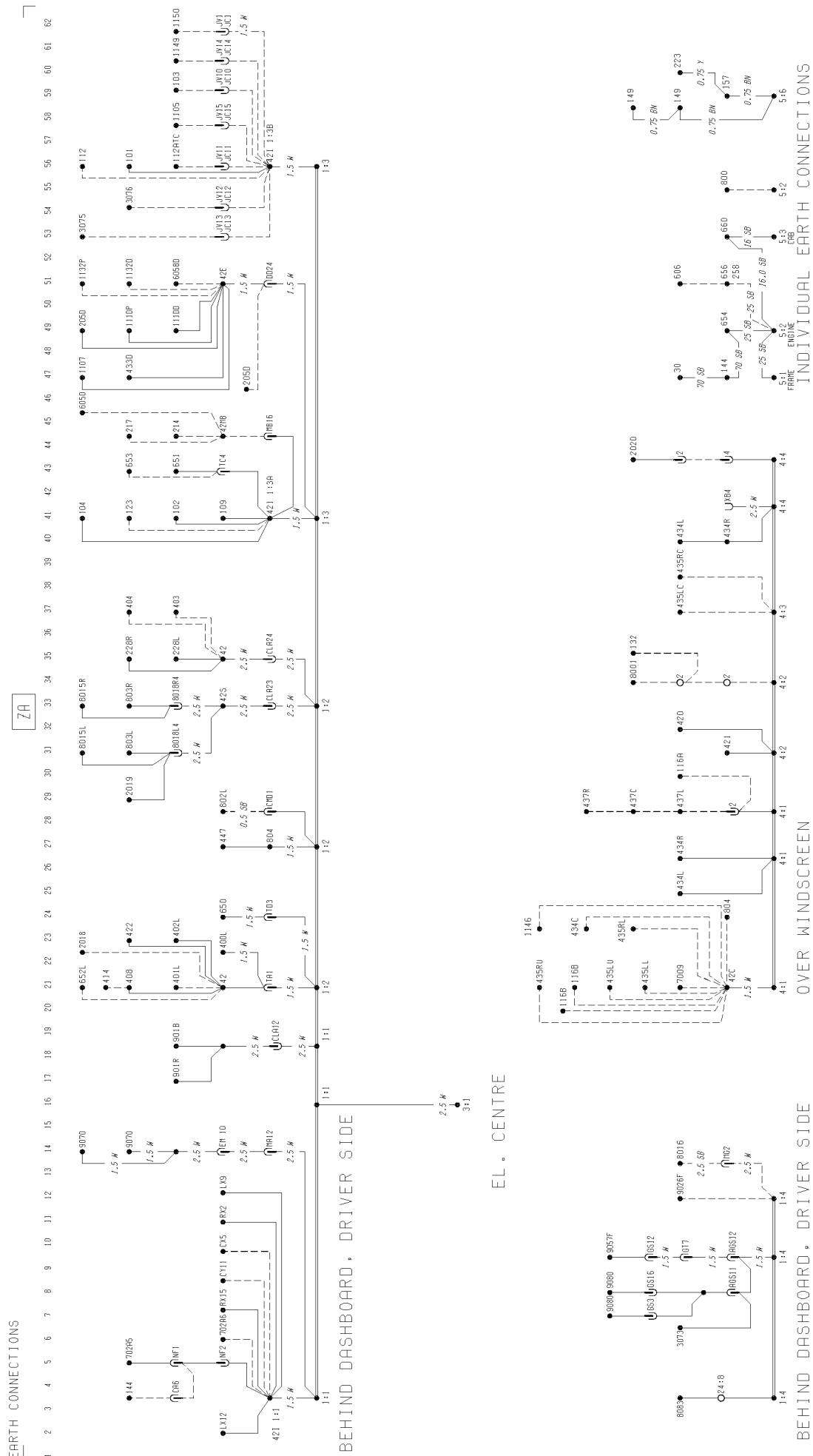
T3011428

EXTRA FUSE BLOCK KEY SWITCH RELAY

XA

30
15
61
1 2 3 4 5 6 7 8 9 10 11 12 13 14 15 16 17 18 19 20 21 22 23 24 25 26 27 28 29 30 31 32 33 34 35 36 37 38 39 40 41 42 43 44 45 46 47 48 49 50 51 52 53 54 55

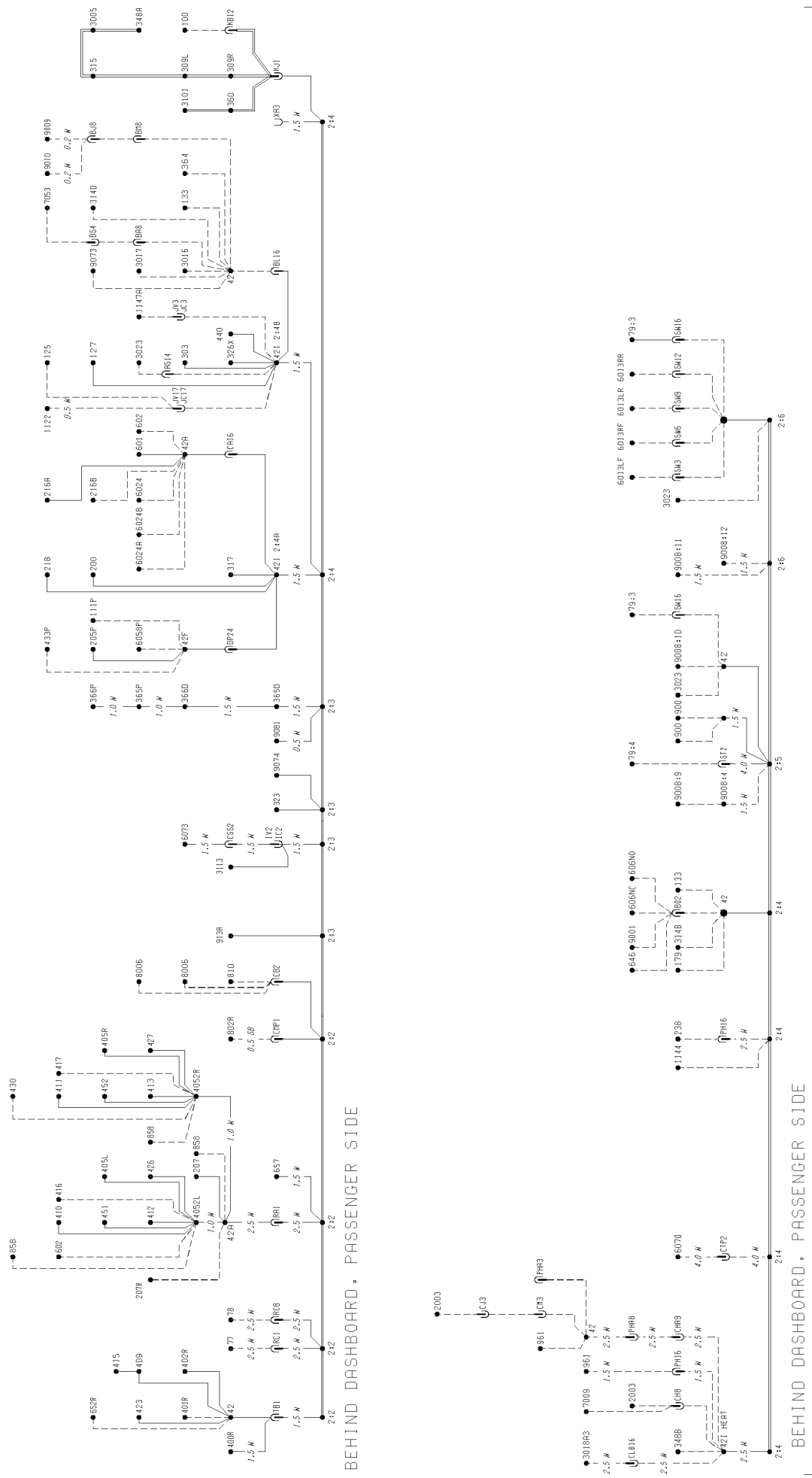


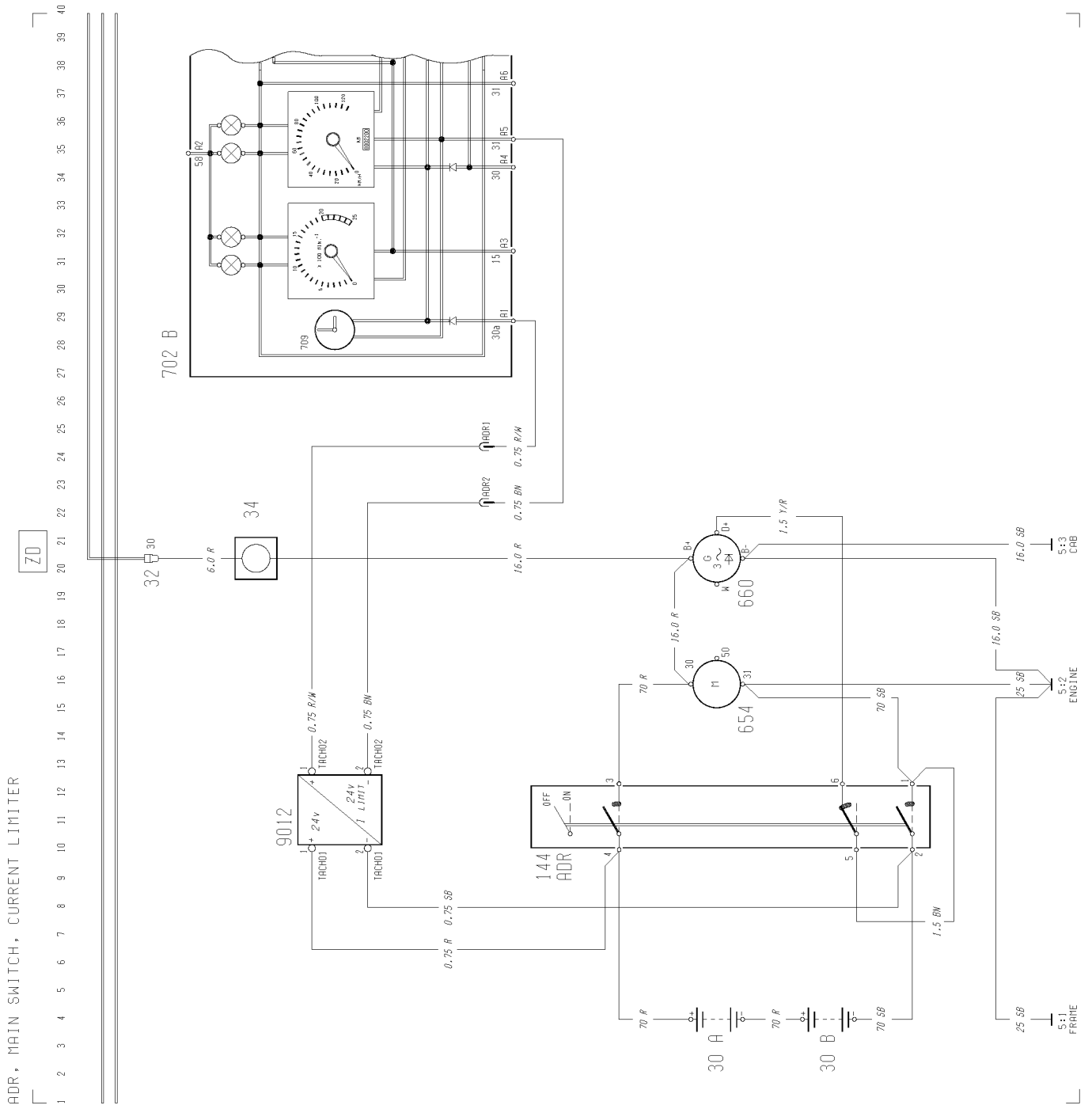


EARTH CONNECTIONS

ZB

1 2 3 4 5 6 7 8 9 10 11 12 13 14 15 16 17 18 19 20 21 22 23 24 25 26 27 28 29 30 31 32 33 34 35 36 37 38 39 40 41 42 43 44 45 46 47 48 49 50 51 52 53 54 55 56 57 58 59 60 61 62 63 64 65

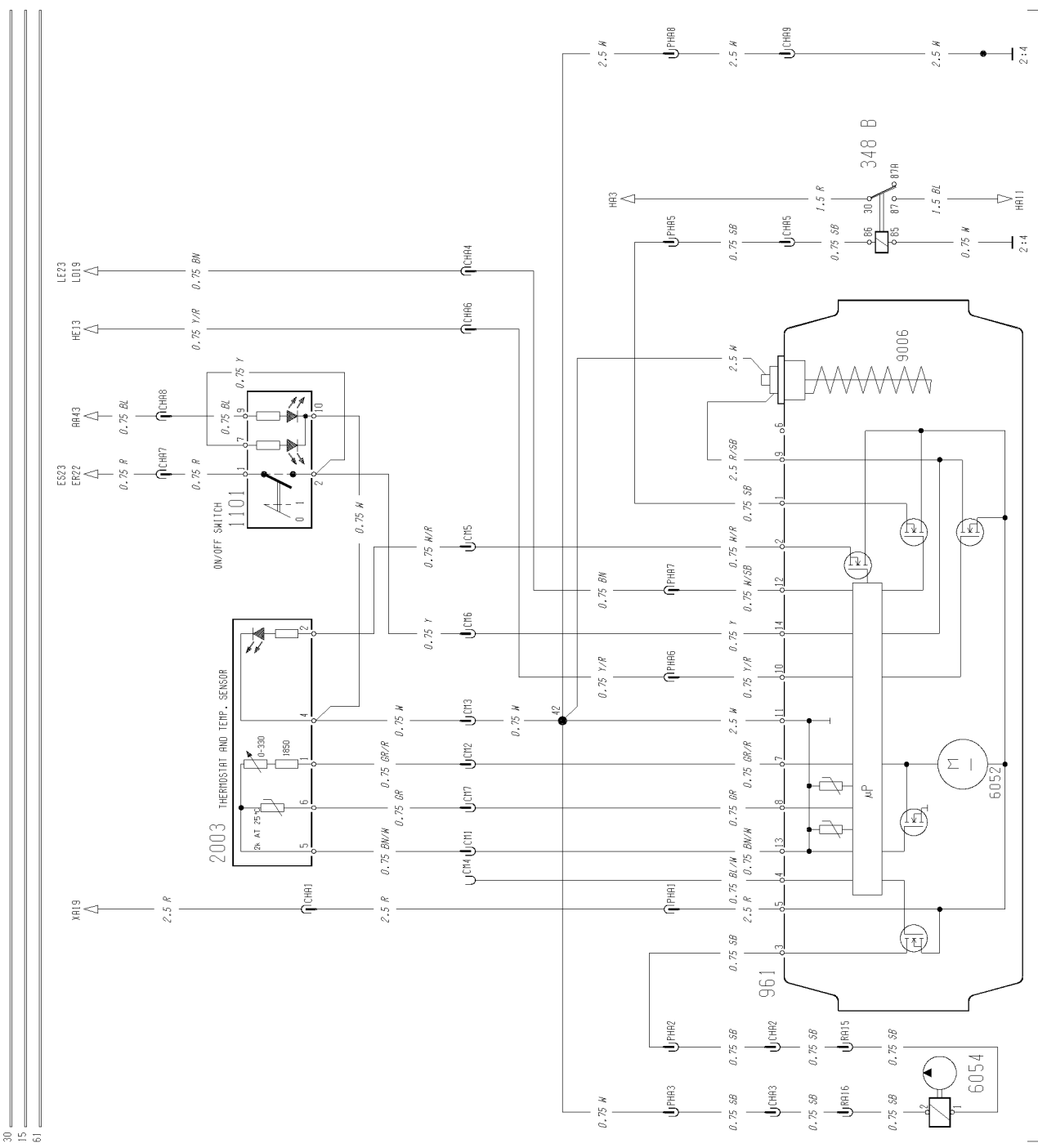




T3011432

AIR HEATER, EBERSPACHER D1LCC.TRS.

1 2 3 4 5 6 7 8 9 10 11 12 13 14 15 16 17 18 19 20 21 22 23 24 25 26 27 28 29 30 31 32 33 34 35 36 37 38 39 40

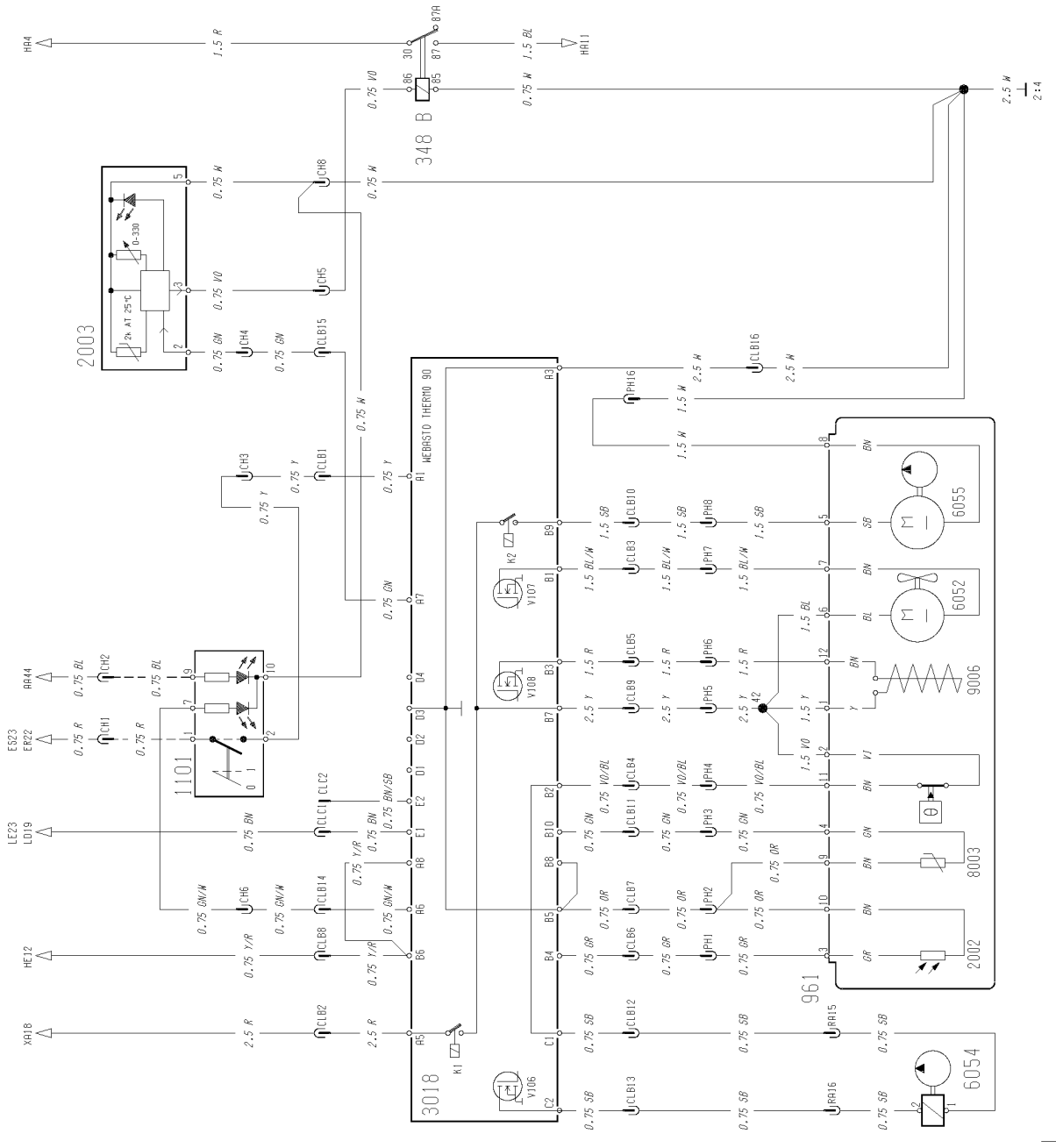


T3011433

WATER HEATER - WEBRASTO THERIO 90, TRS.

[ZG]

1 2 3 4 5 6 7 8 9 10 11 12 13 14 15 16 17 18 19 20 21 22 23 24 25 26 27 28 29 30 31 32 33 34 35 36 37 38 39 40
 30
 15
 61



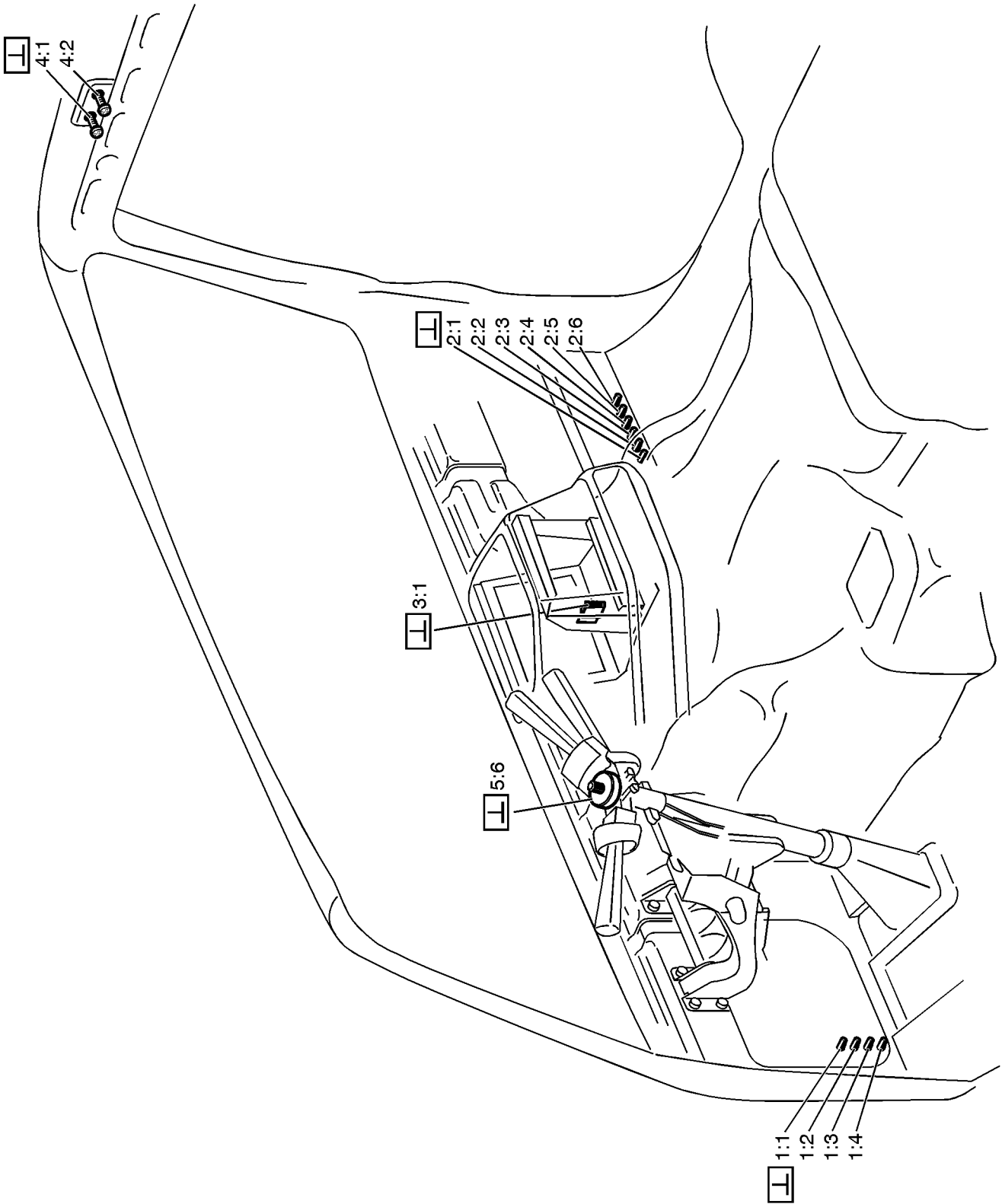
T3011434

Illustrations index

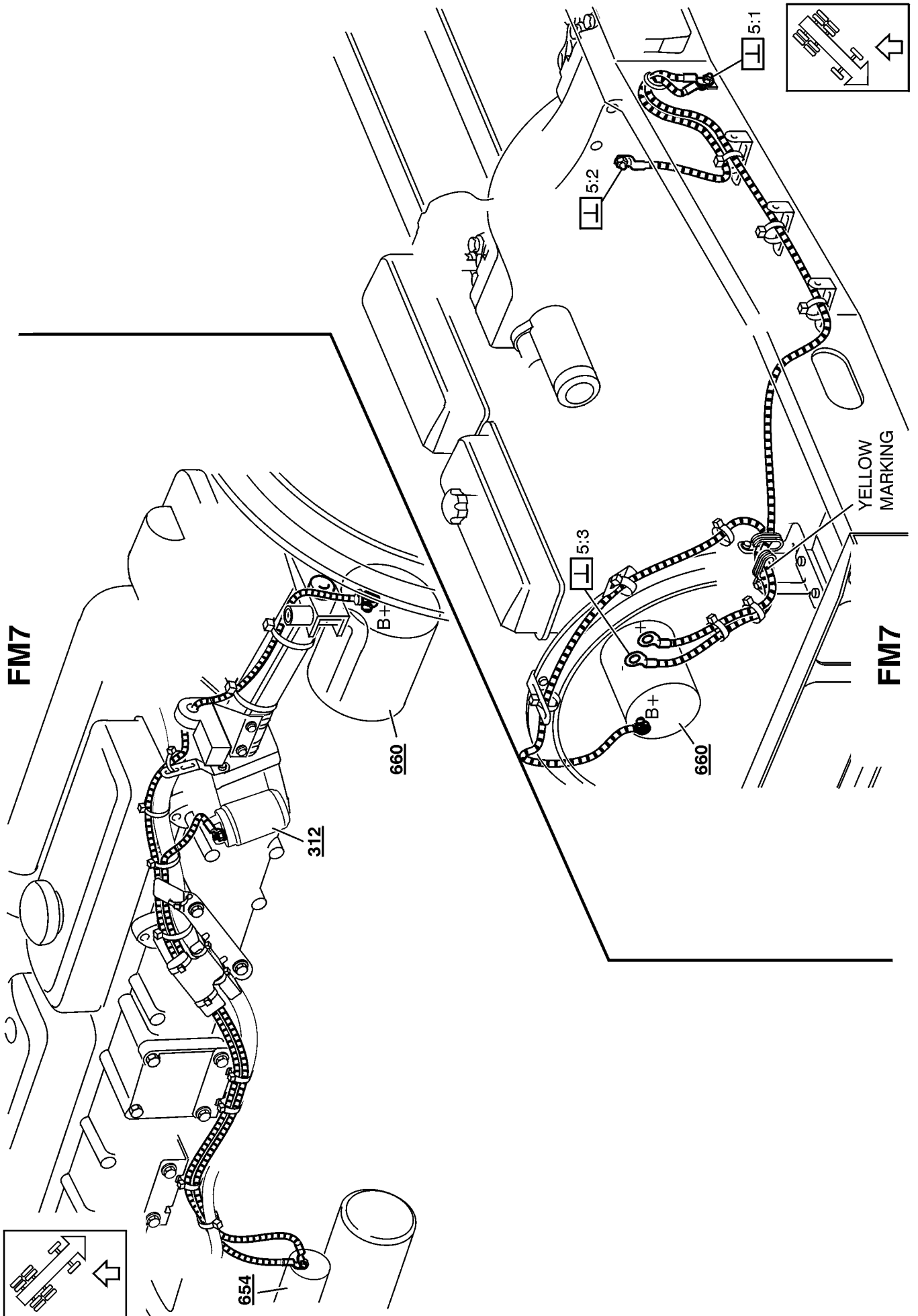
-	Earth connections	page 58
-	Battery cables	page 59
650	Windscreen wiper motor	page 104
1000	Cable harness, instruments	page 66
1000	Cable harness, instruments (Dynafleet)	page 71
1002	Cable harness, tachograph (CABLE-EC)	page 72
1006	Cable harness, cab, upper	page 73
1007	Cable harness, cab, lower	page 75
1017	Cable harness, engine/cab heater	page 77
1020	Cable harness, cowl	page 78
1030	Cable harness, engine	page 80
1031	Cable harness, automatic transmission	page 86
1037	Cable harness, bogie lift	page 87
1042	Cable harness, tail lights	page 88
1057	Cable harness, chassis	page 89
1061	Cable harness, parking heater, cab	page 90
1062	Cable harness, parking heater, frame	page 92
1072	Cable harness, air suspension	page 93
1074	Cable harness, hydraulic bogie lift with axle load limiter	page 95
1075	Cable harness, speed limiter, cab	page 97
1077	Cable harness, side marking lamp	page 98
1083	Cable harness, door	page 99
1084	Cable harness, cab, ABS	page 102
1086	Cable harness, solenoid valve, ABS	page 103
1097	Cable harness, bogie lift feeder cable	page 96
1402	Cable harness, windscreen washers	page 104
1403	Cable harness, retarder	page 105
1404	Cable harness, ADR	page 106
1413	Cable harness, AGS/PS, cab (GEARTRONIC)	page 108
1413	Cable harness, AGS/PS, cab (POWERTRONIC)	page 122
1422	Cable harness, Geartronic-chassis	page 109
1425	Cable harness, pulse sensor - tachograph (CABLE-B)	page 72
1433	Cable harness, bogie lift - locking, 3rd axle	page 110
1440	Cable harness, el. operated rearview mirror	page 113
1454	Cable harness, cab tilt pump	page 114
1465	Cable harness, additional accessories	page 115
1469	Cable harness, fuel filter heater	page 116
1476	Cable harness, engine, cab	page 117
1484	Cable harness, adapter, AGS/PS, gear lever carrier (Geartronic)	page 108

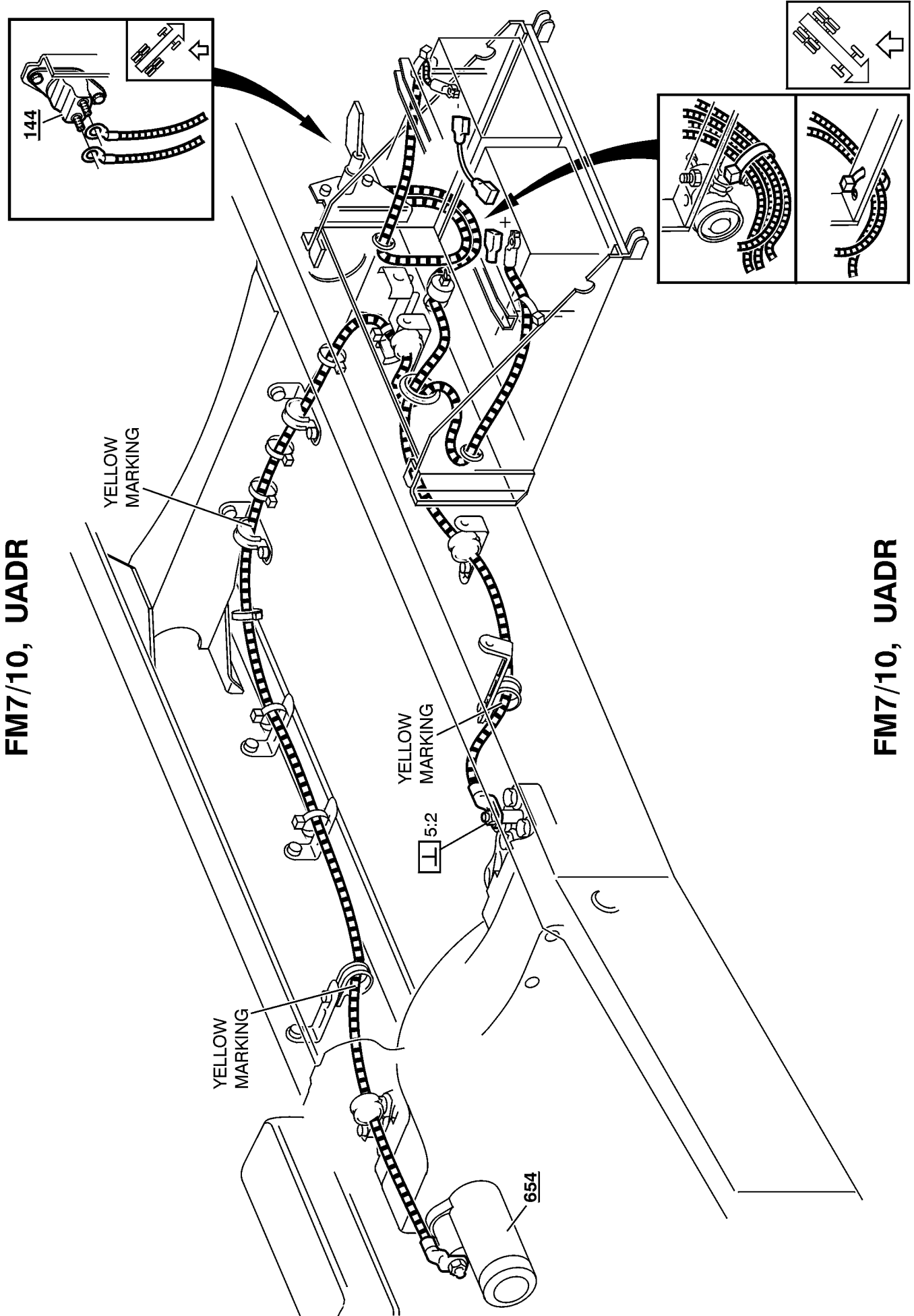
1484	Cable harness, adapter, AGS/PS, gear lever carrier (Powertronic)	page 122
1485	Cable harness, clutch	page 109
1487	Cable harness, Powertronic/cab-adapter	page 122
1488	Cable harness, central lubrication system	page 123
1489	Cable harness, adapter, no tachograph	page 66
1491	Cable harness, compact retarder, ECU/cab	page 124

Illustrations



T3009906

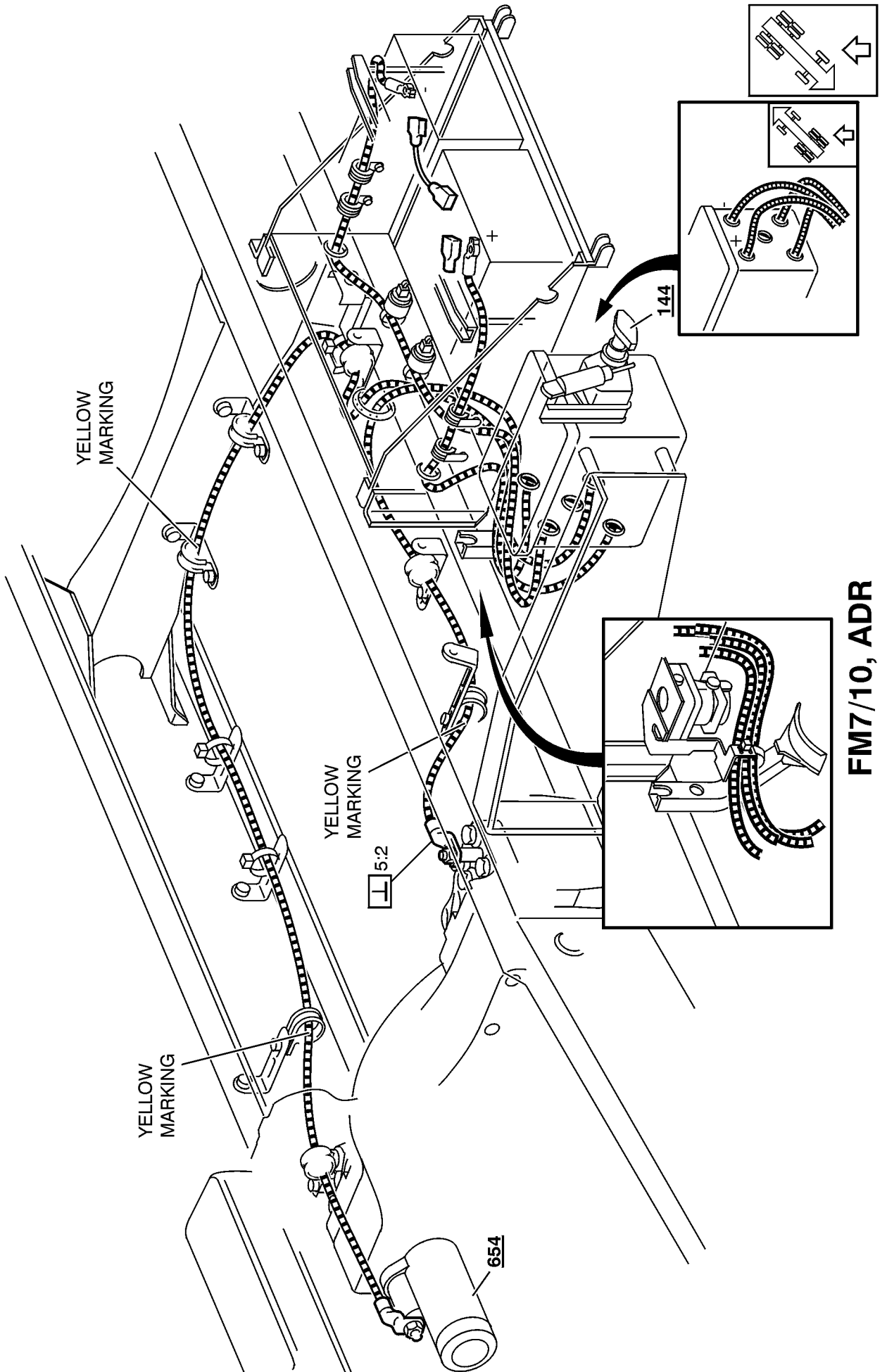




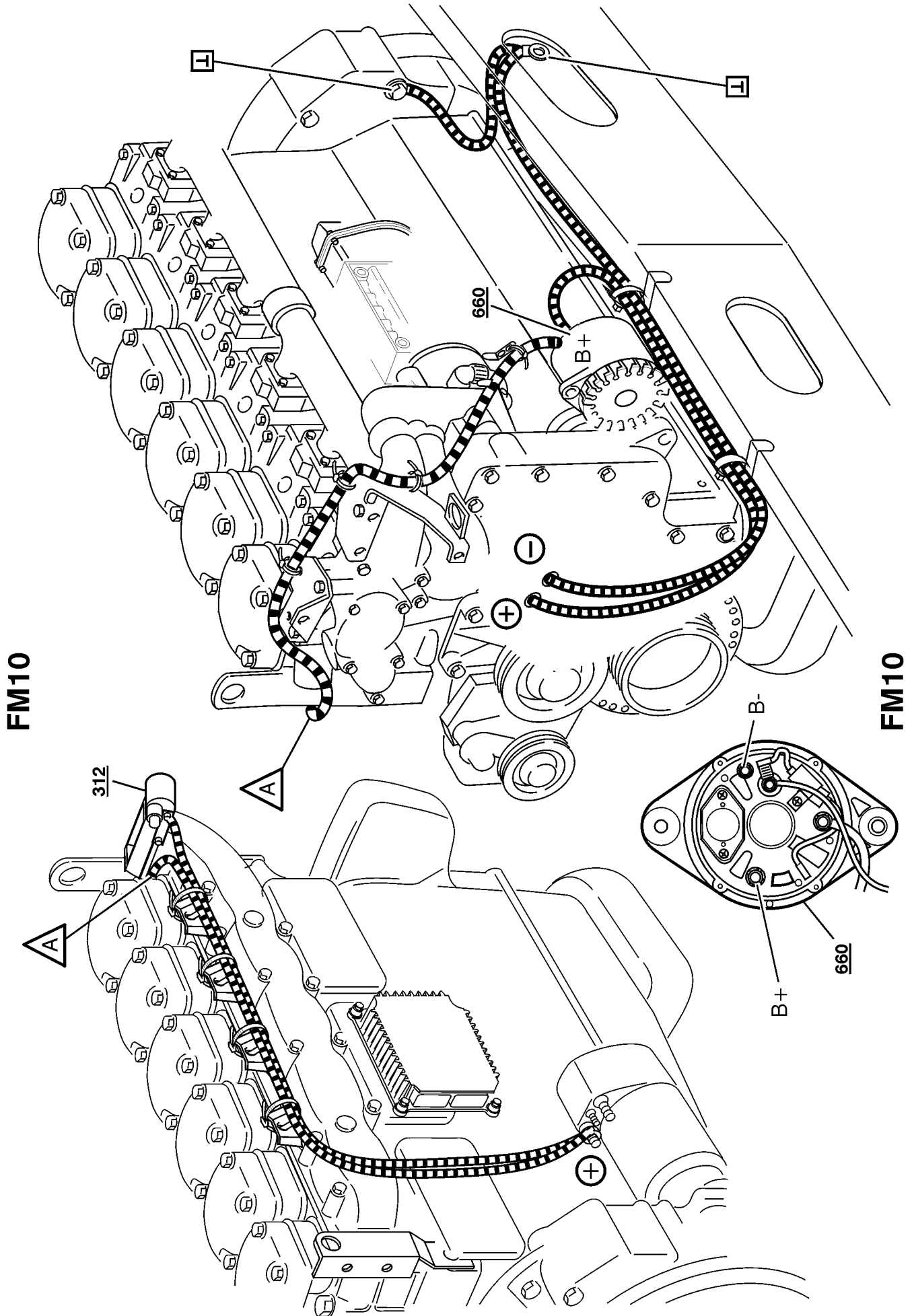
FM7/10, UADR

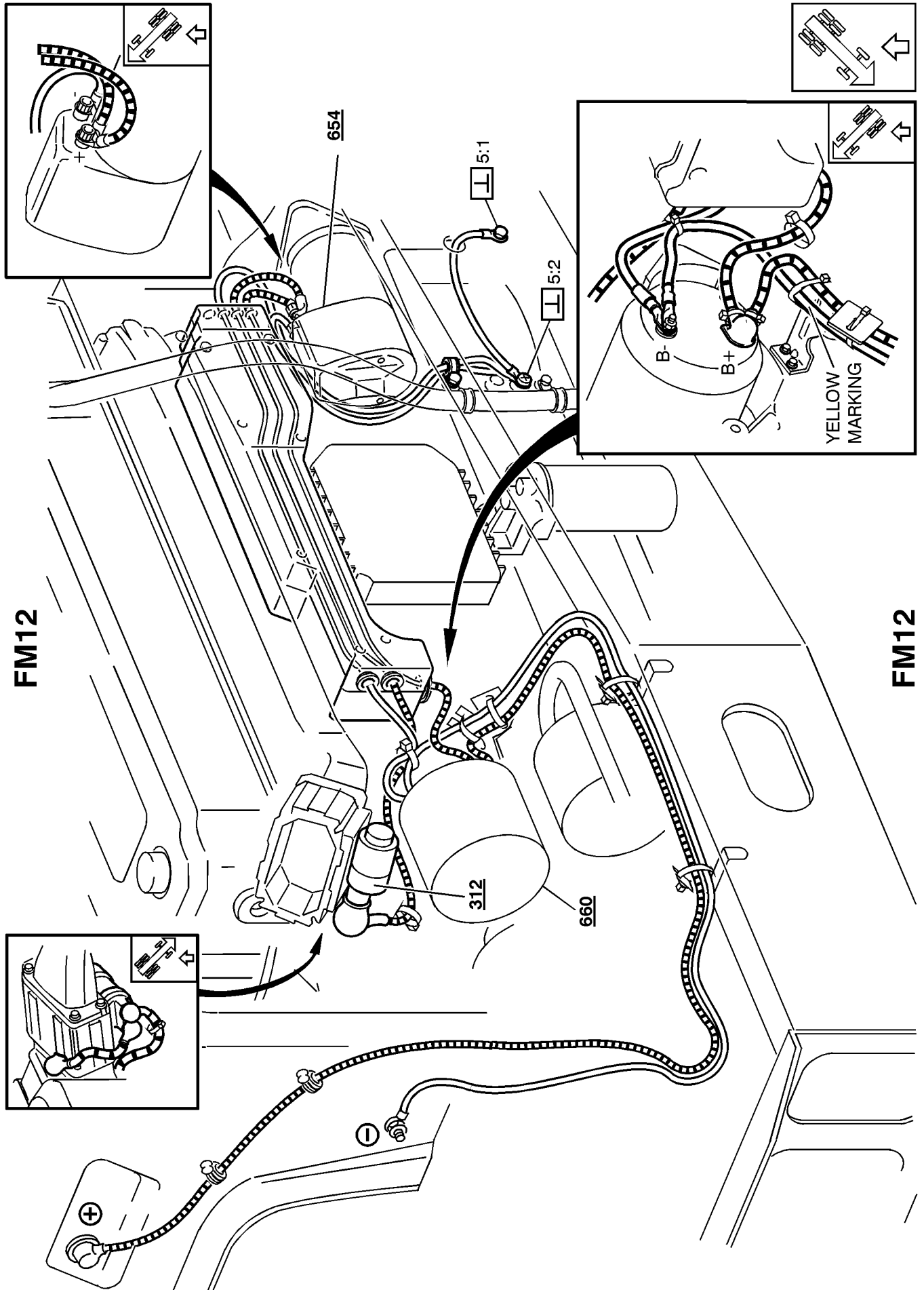
FM7/10, UADR

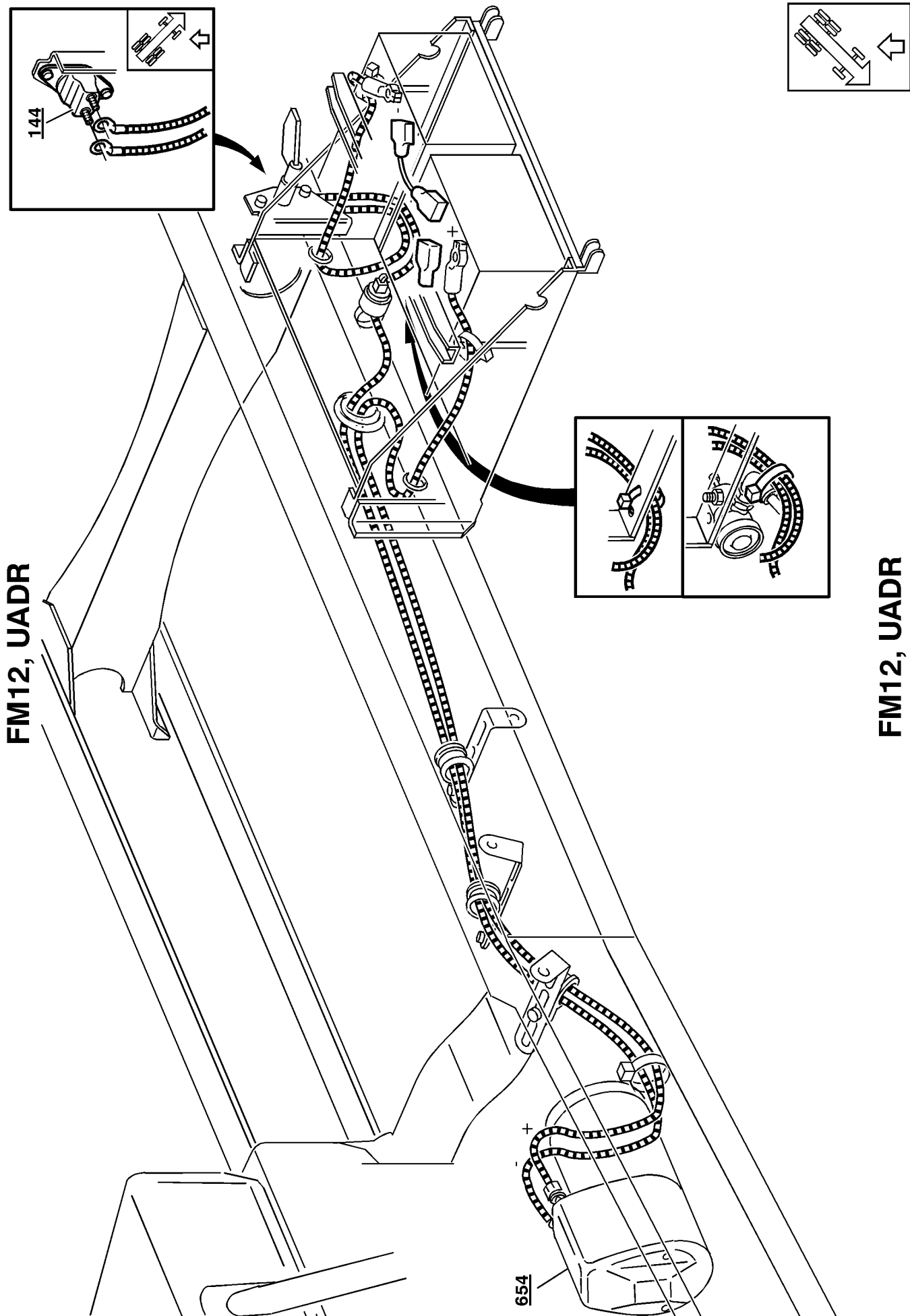
FM7/10, ADR



FM7/10, ADR

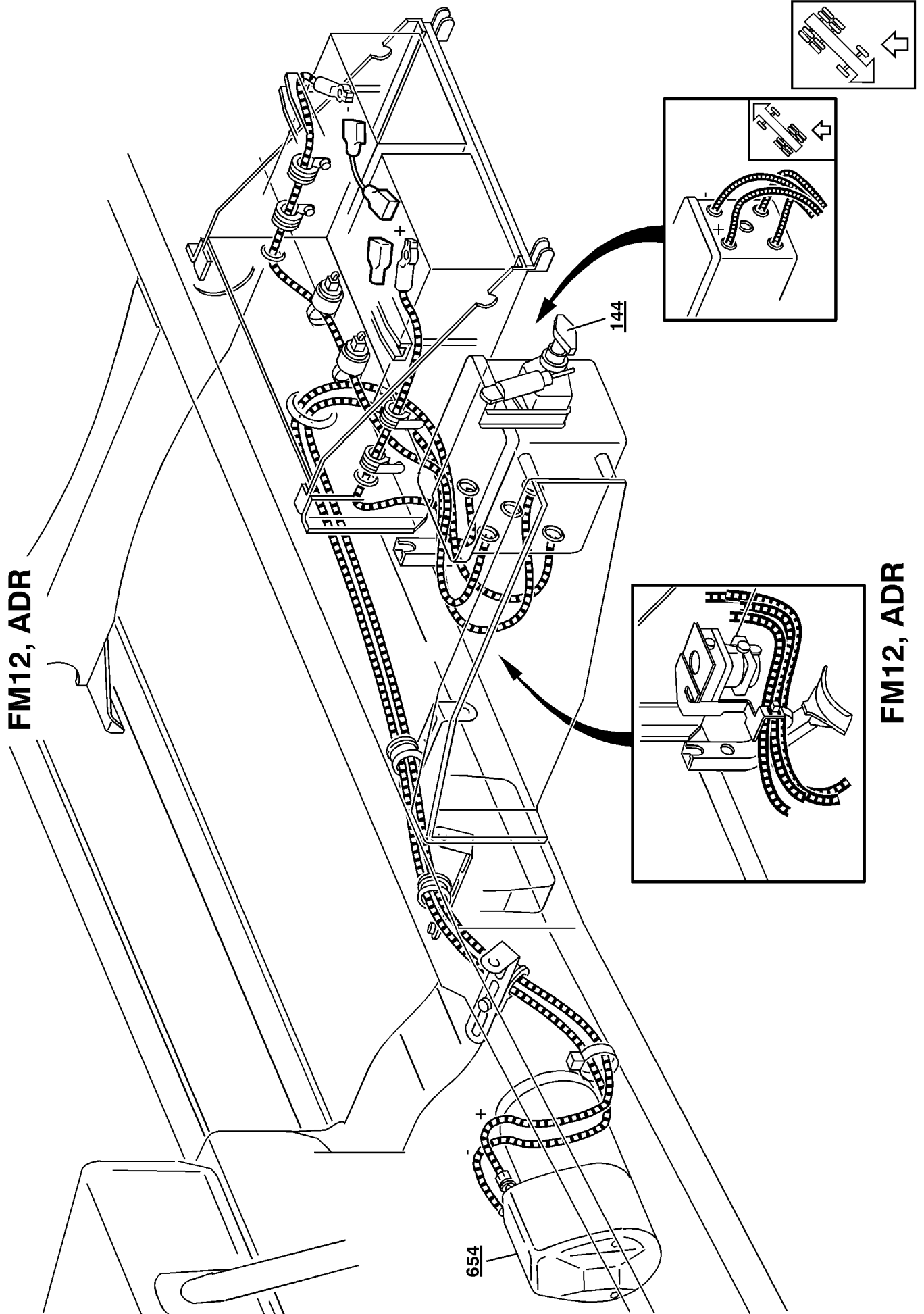


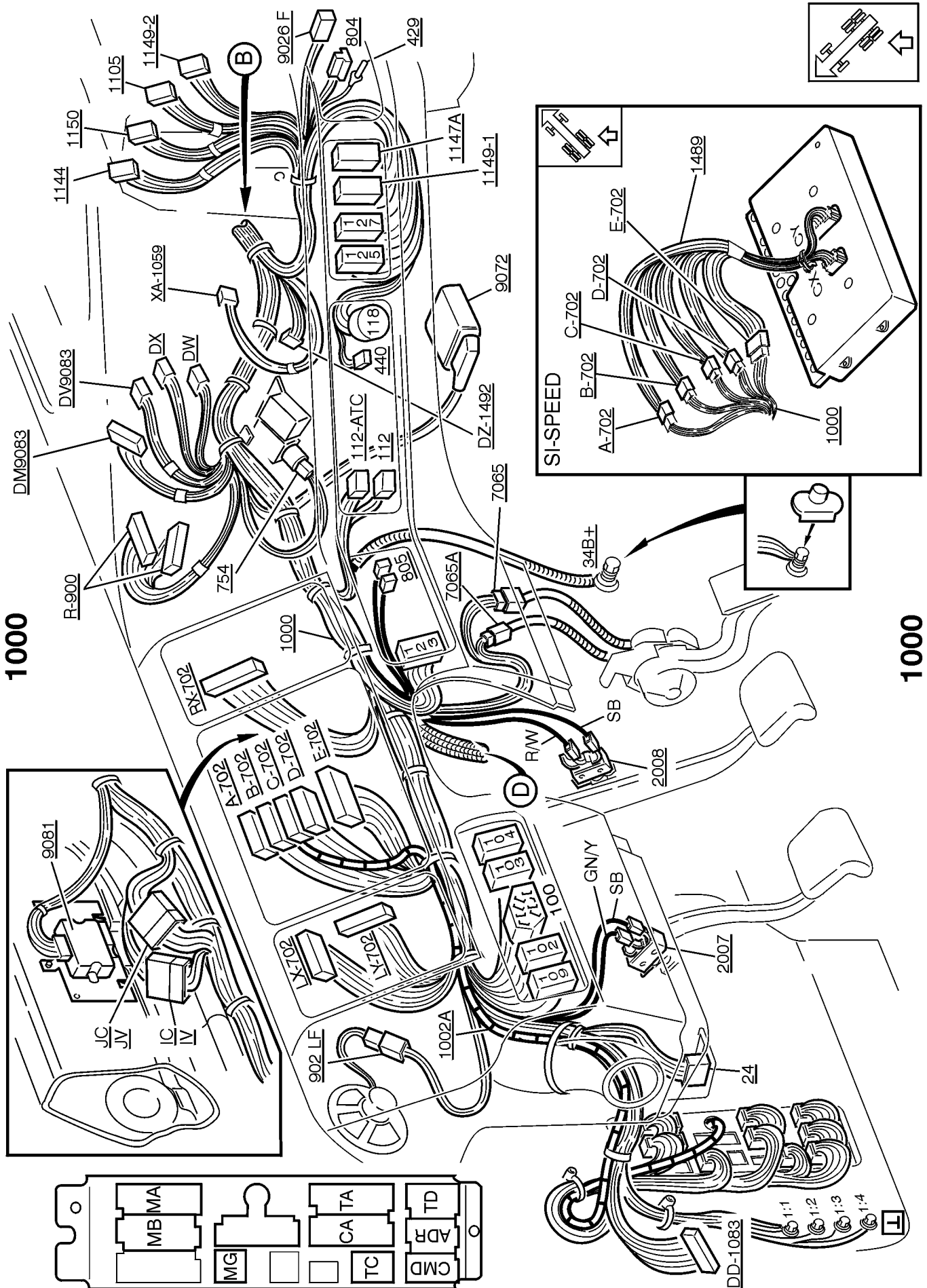


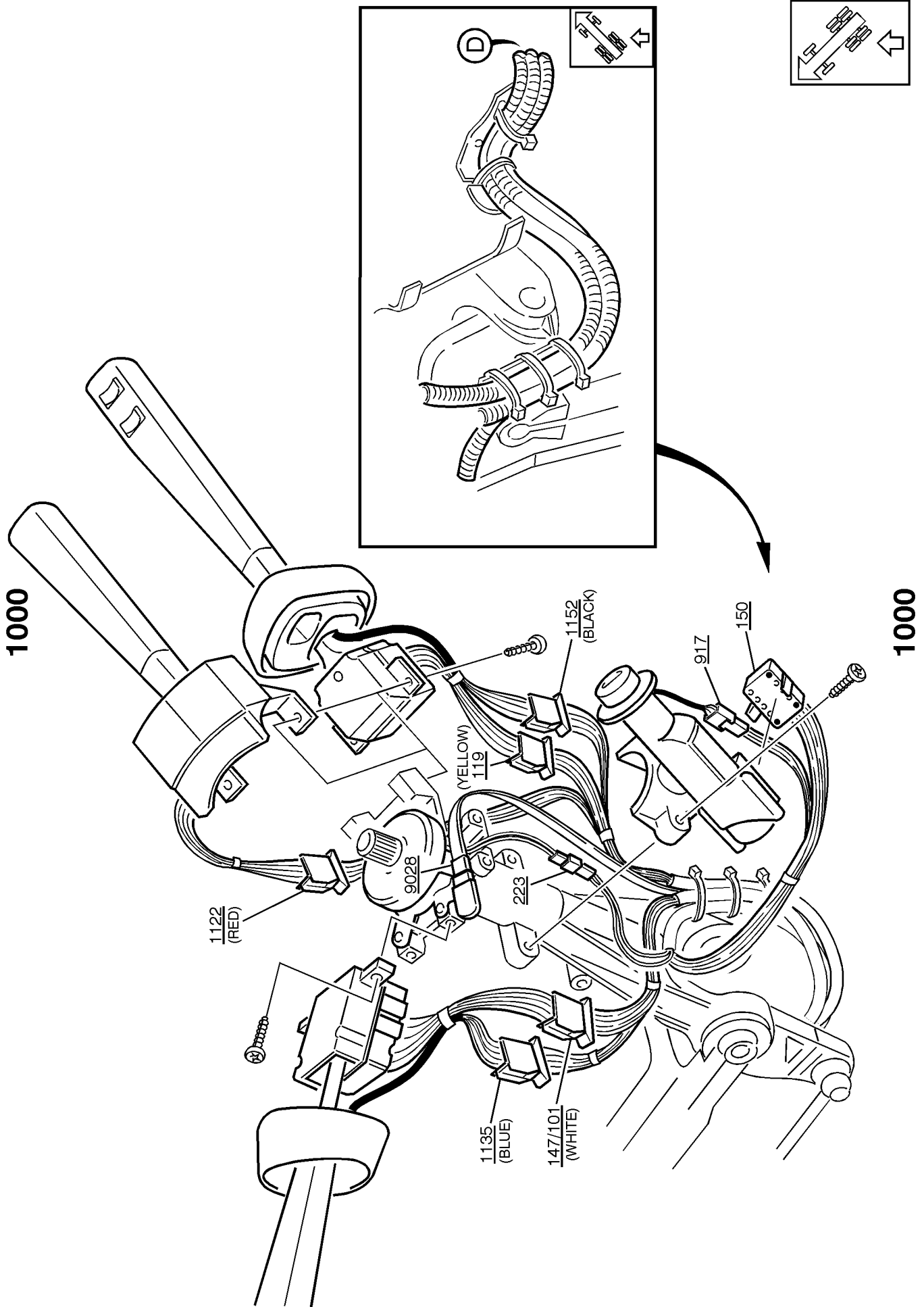


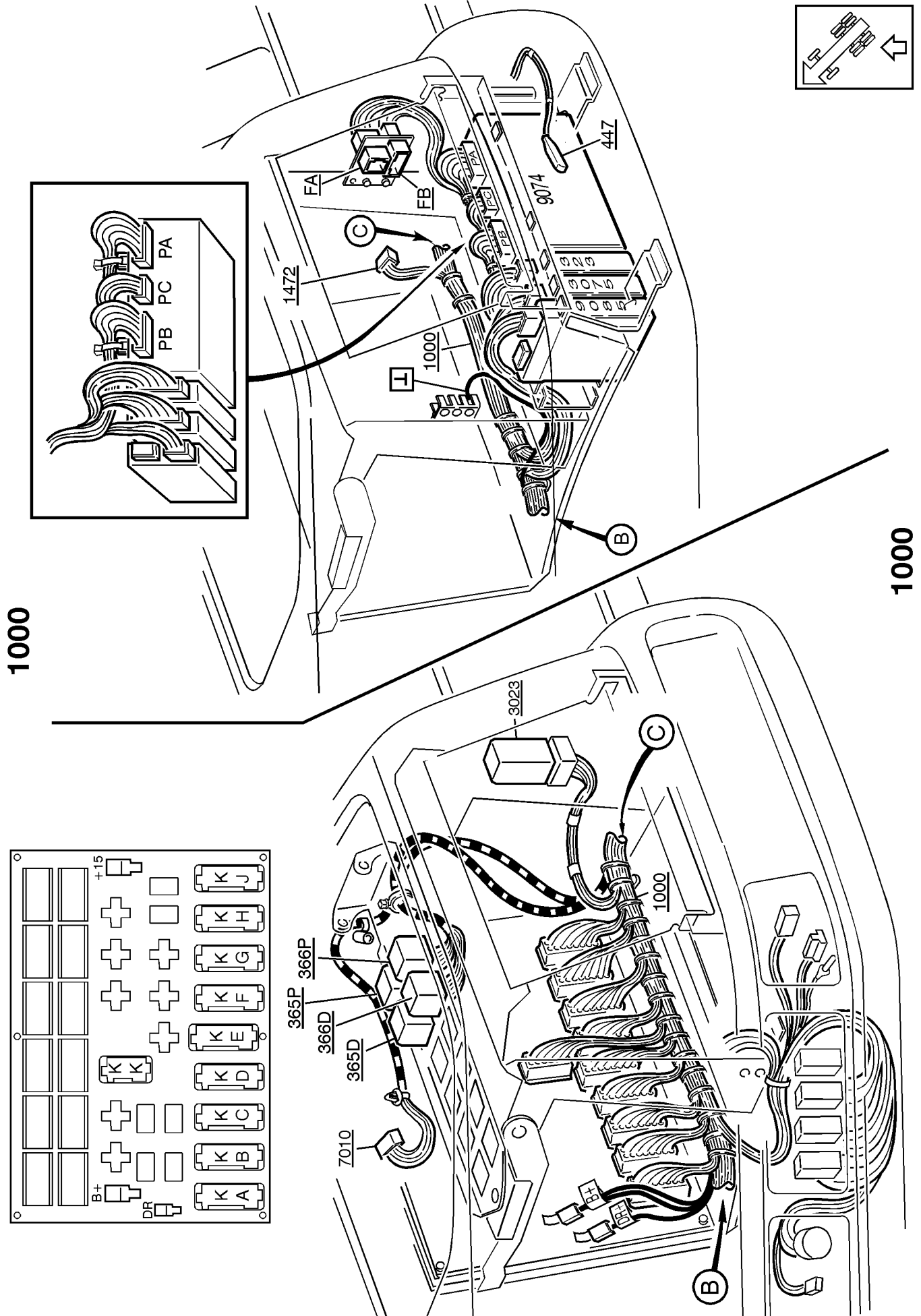
FM12, UADR

FM12, UADR

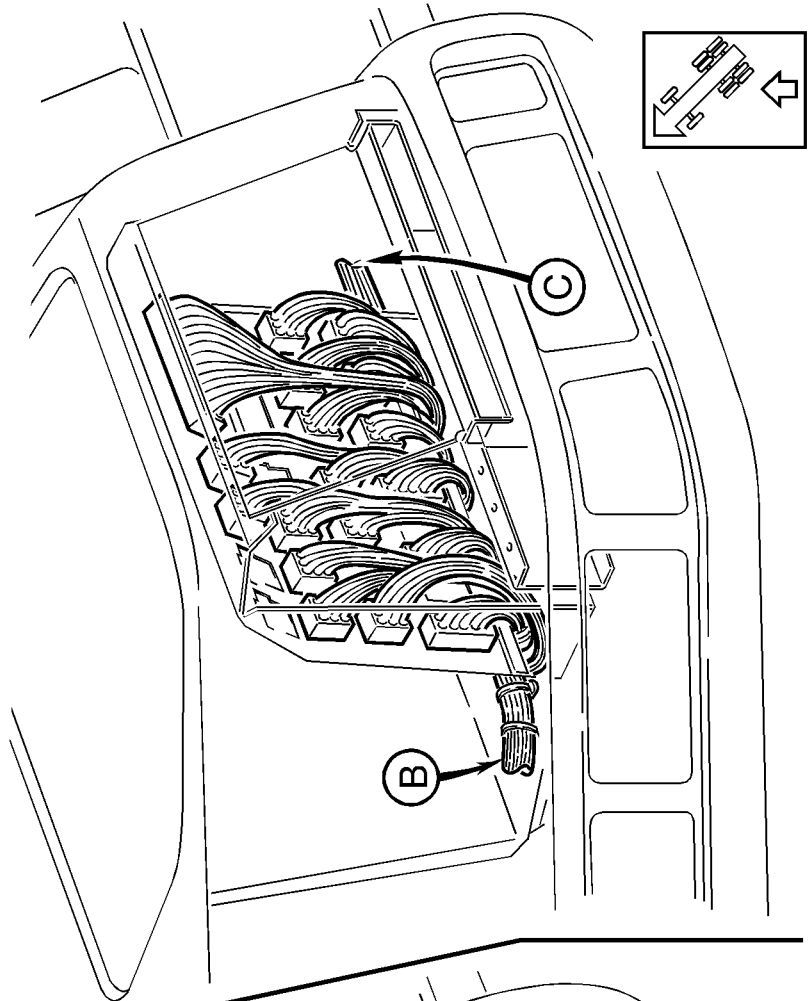




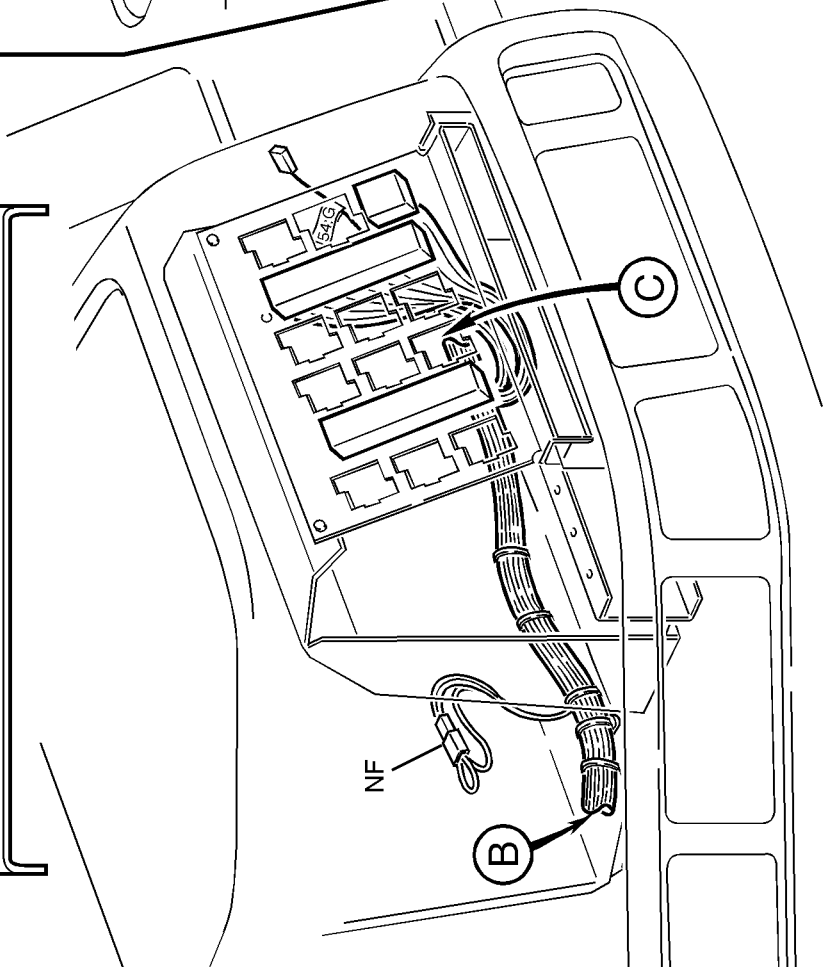
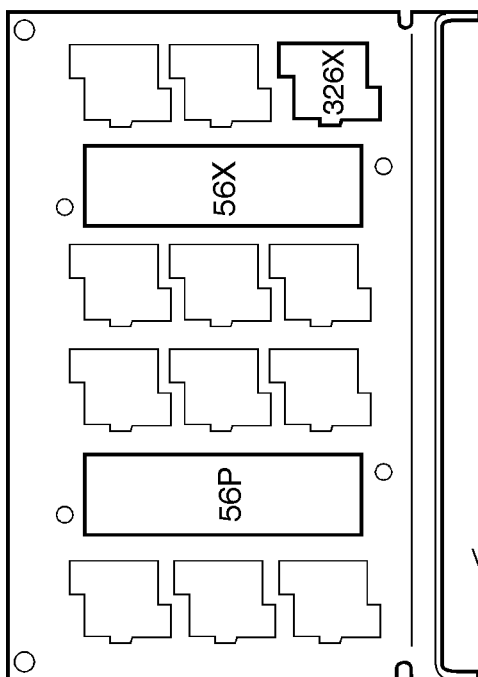


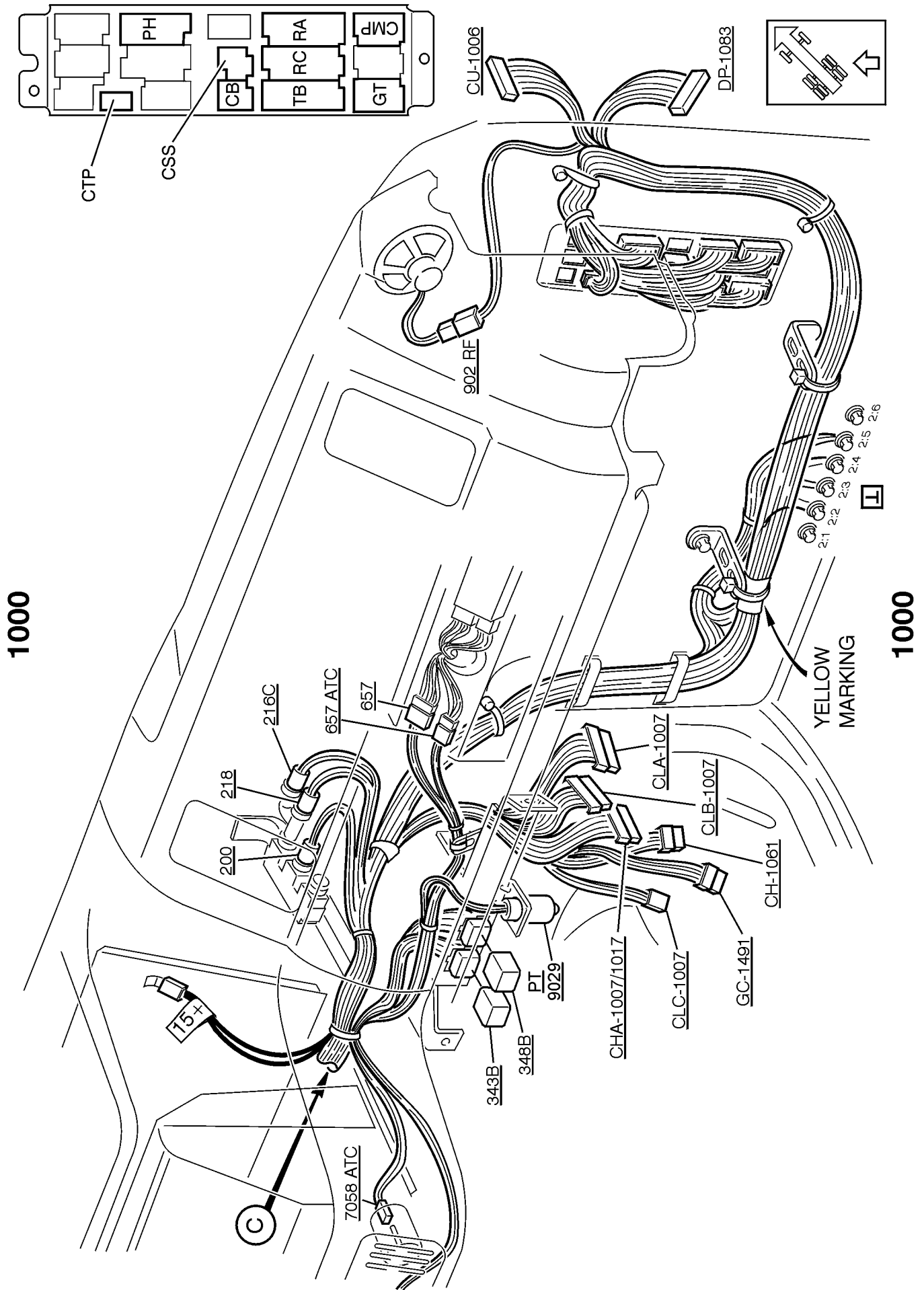


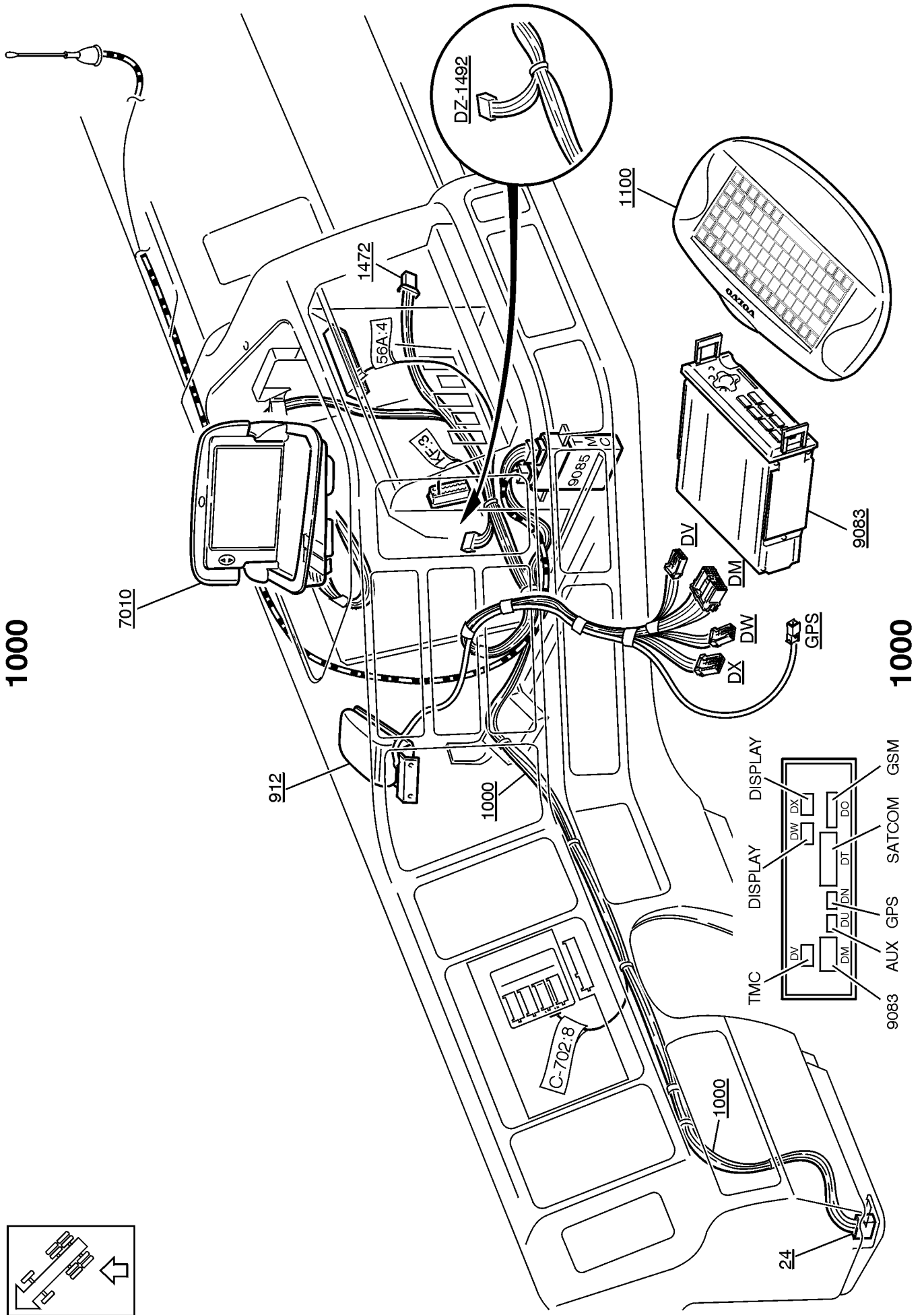
1000



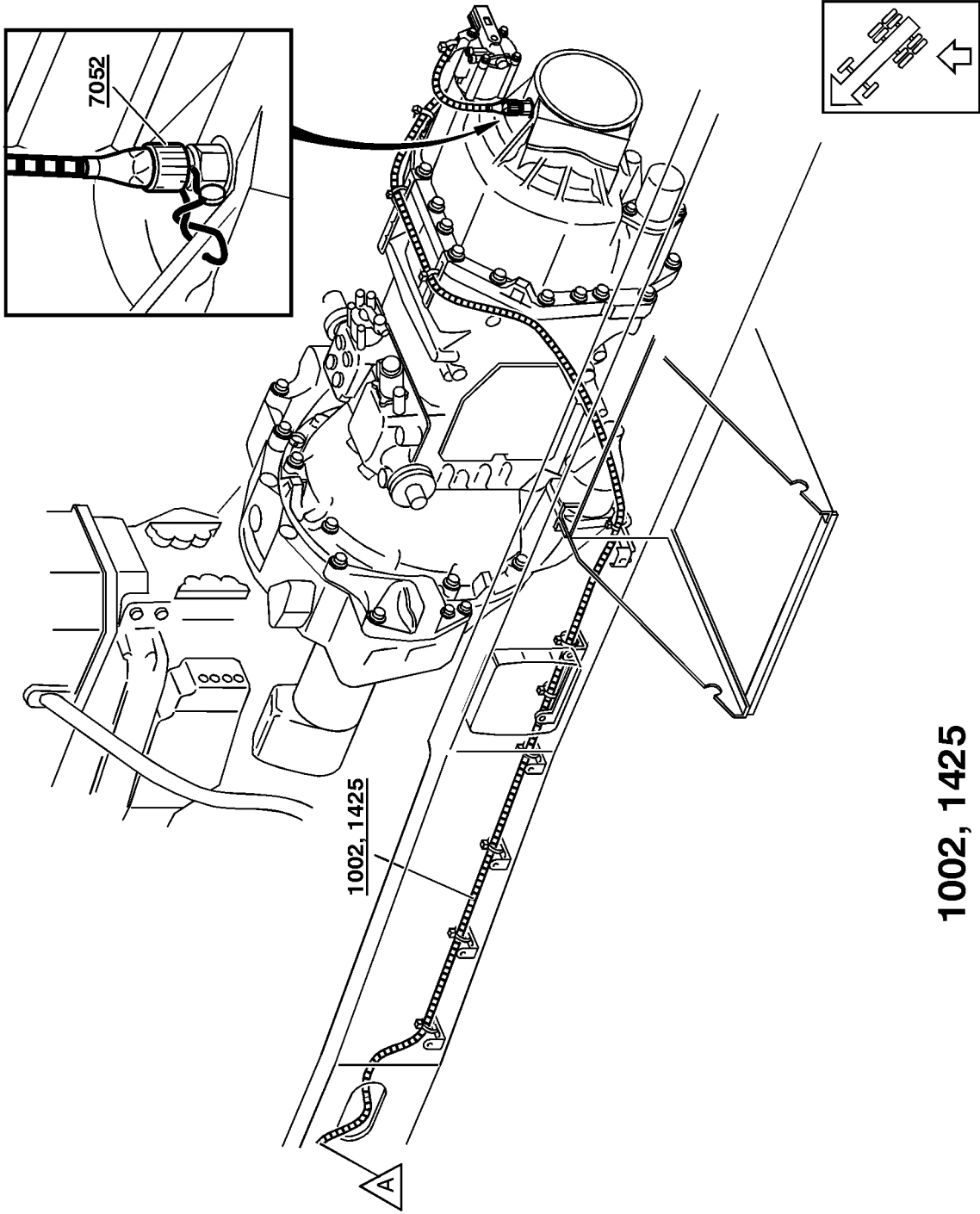
1000



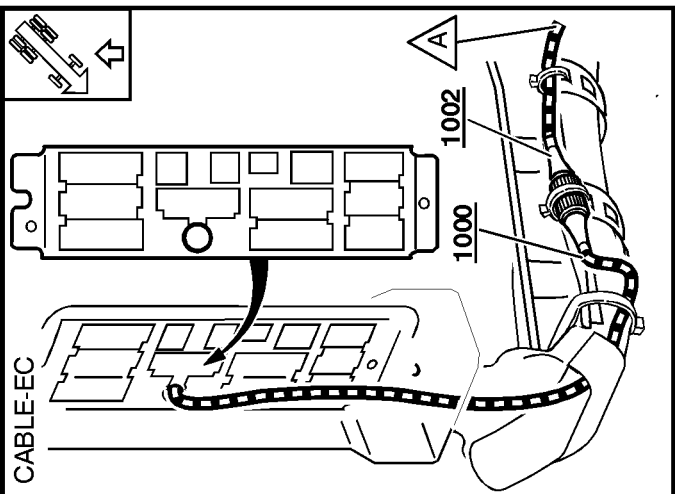
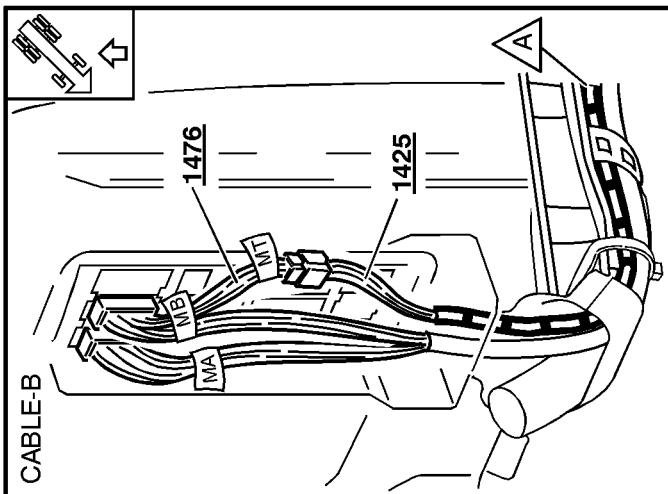


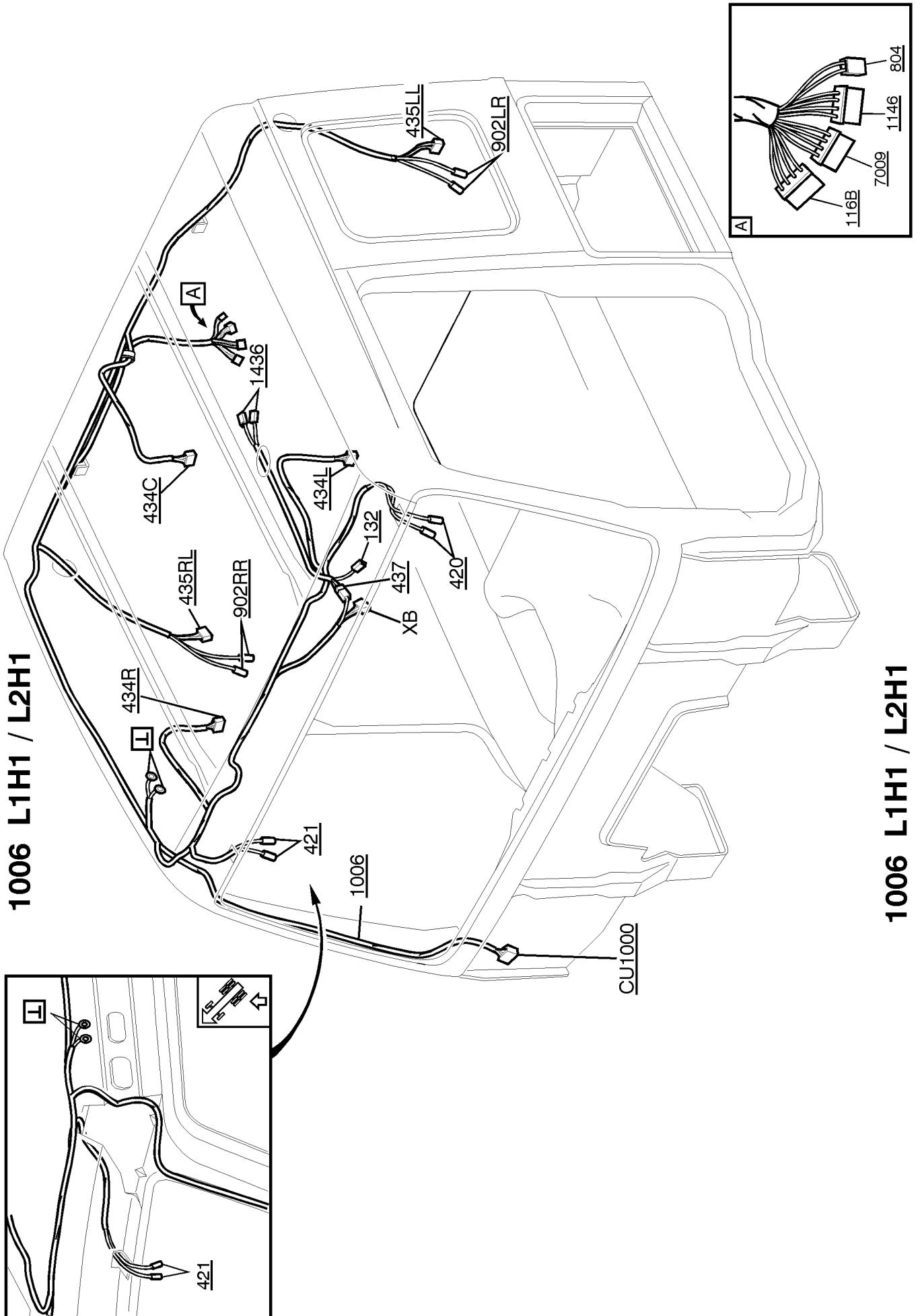


1002, 1425



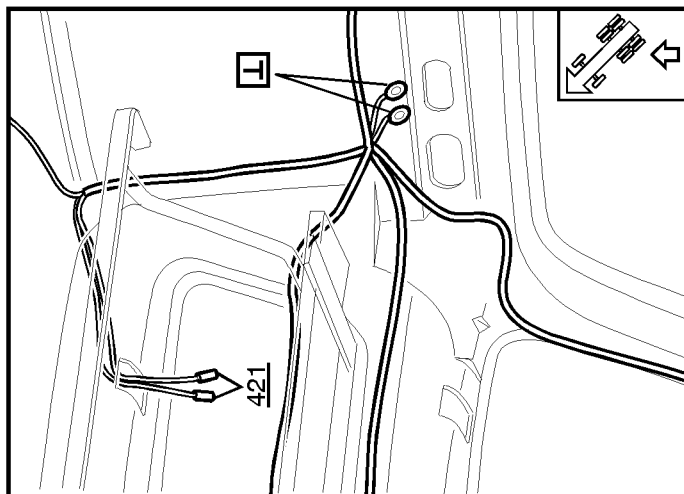
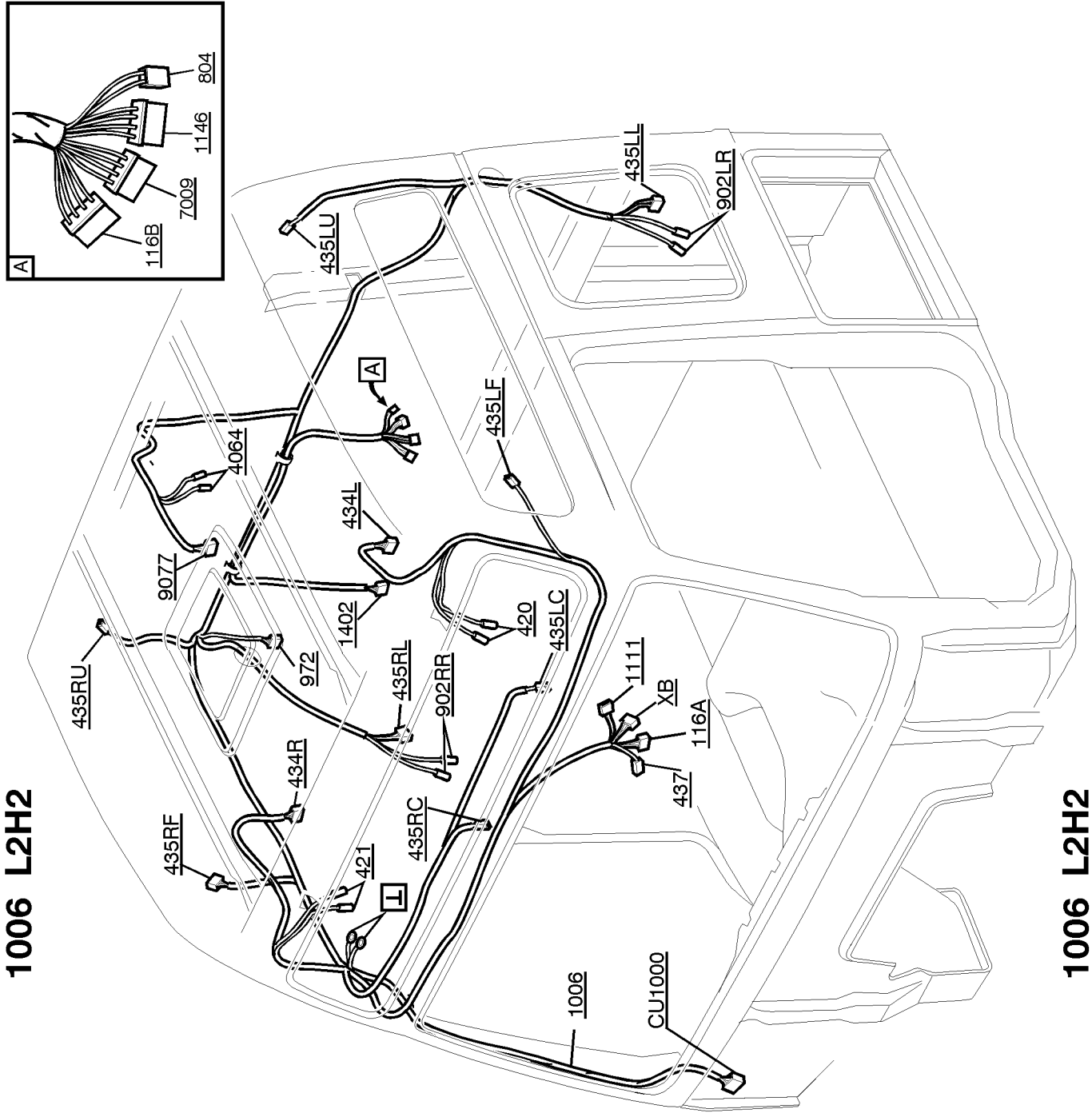
1002, 1425

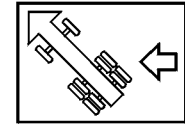




1006 L1H1 / L2H1

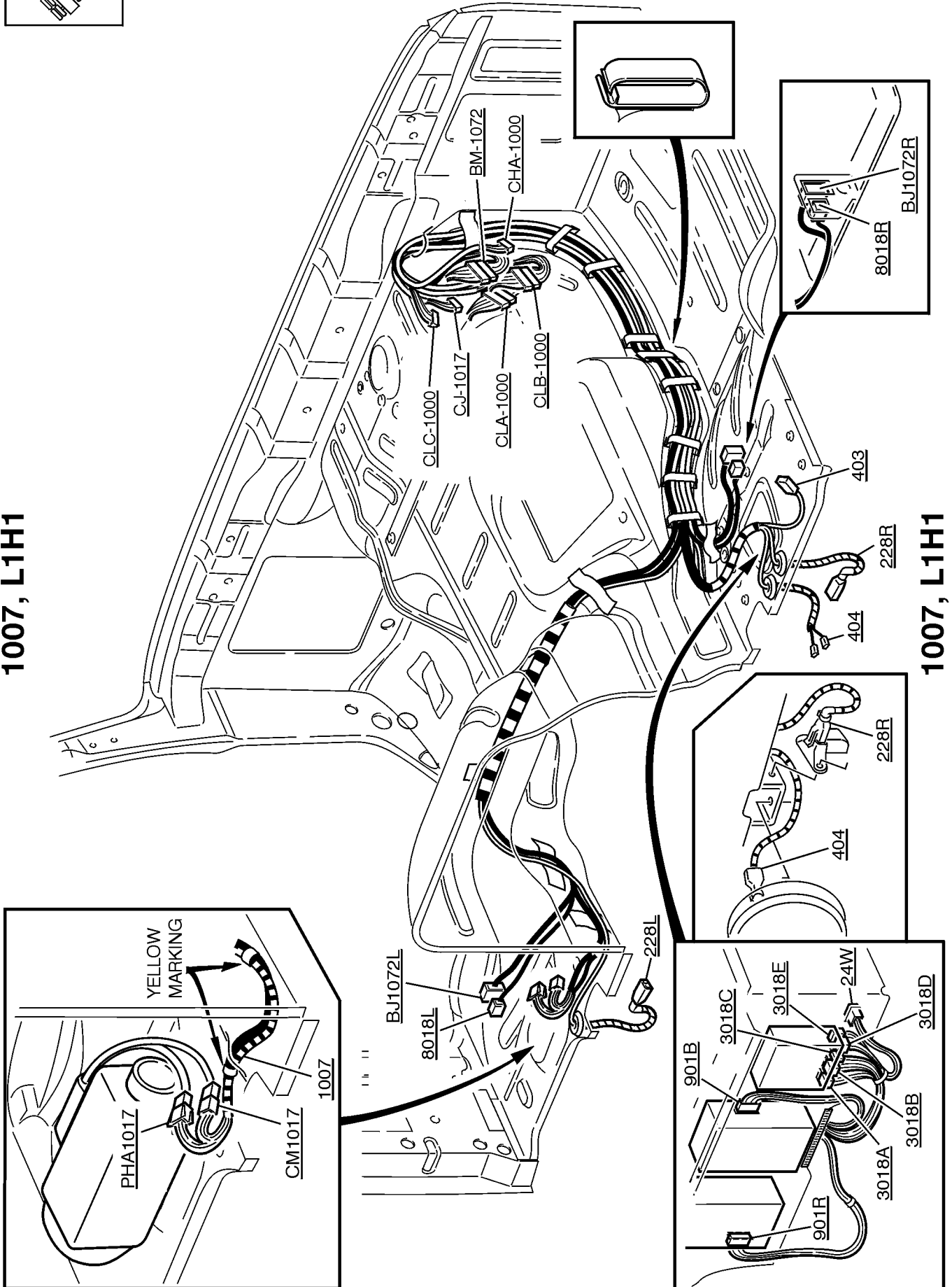
1006 L1H1 / L2H1

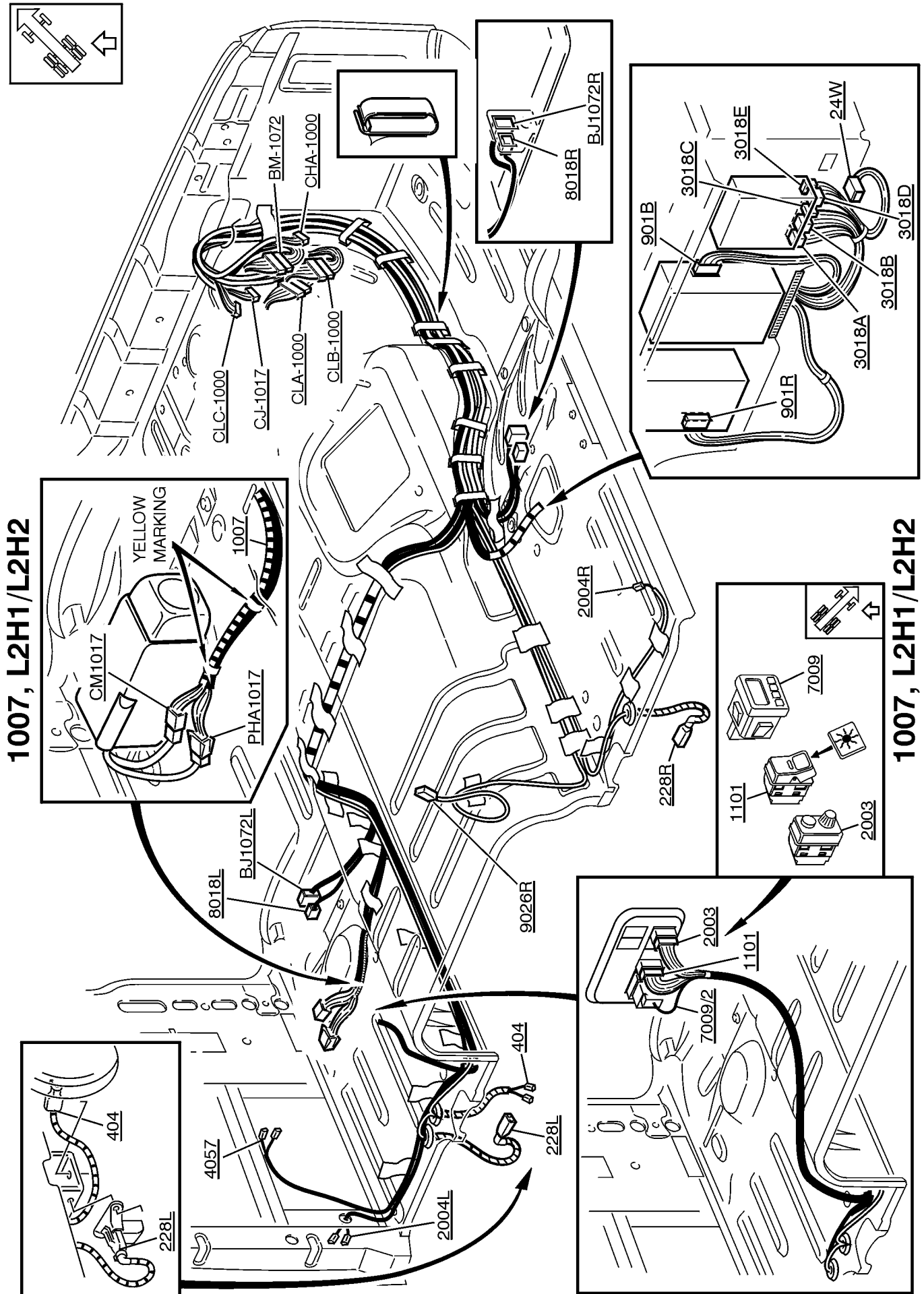




1007, L1H1

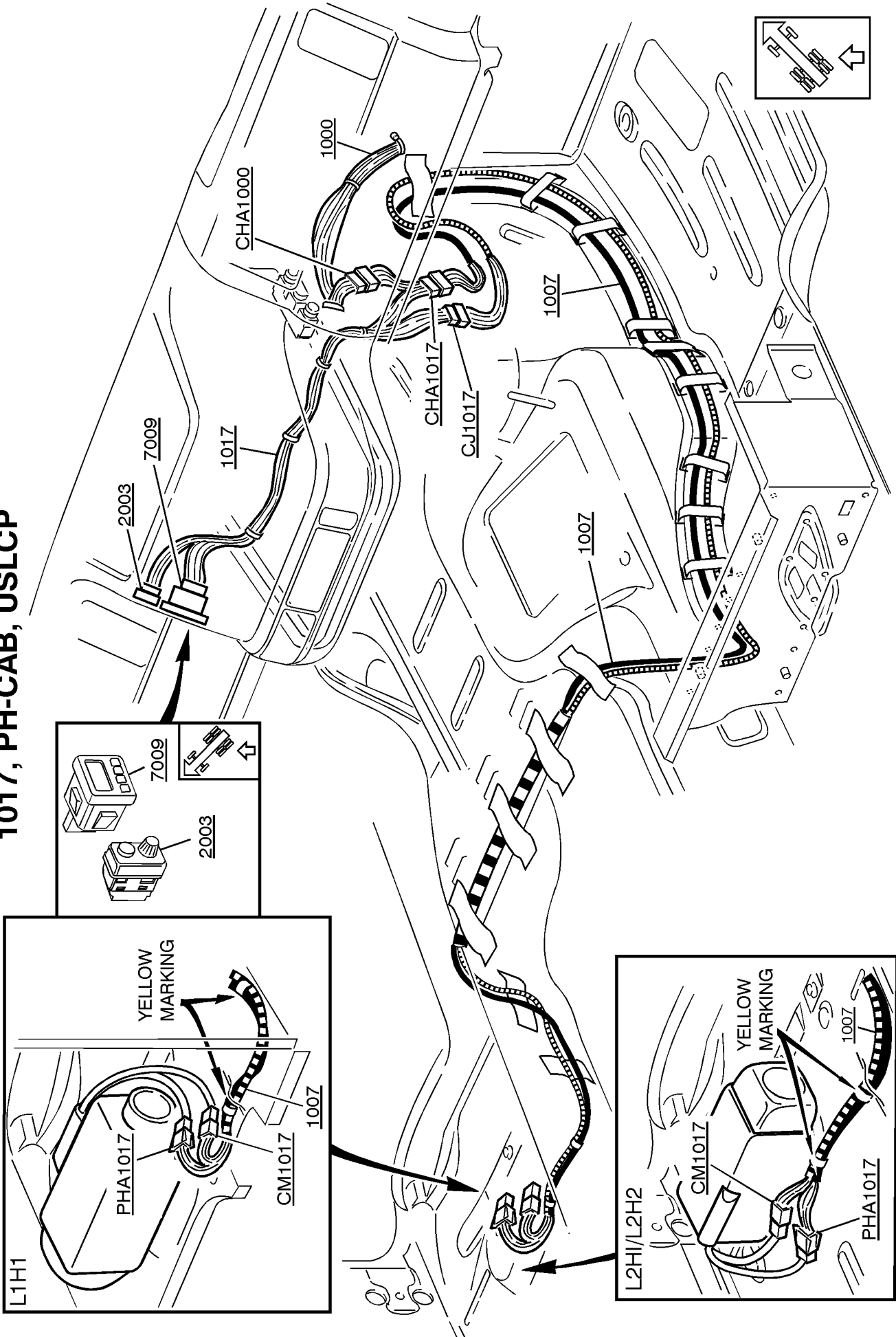
1007, L1H1



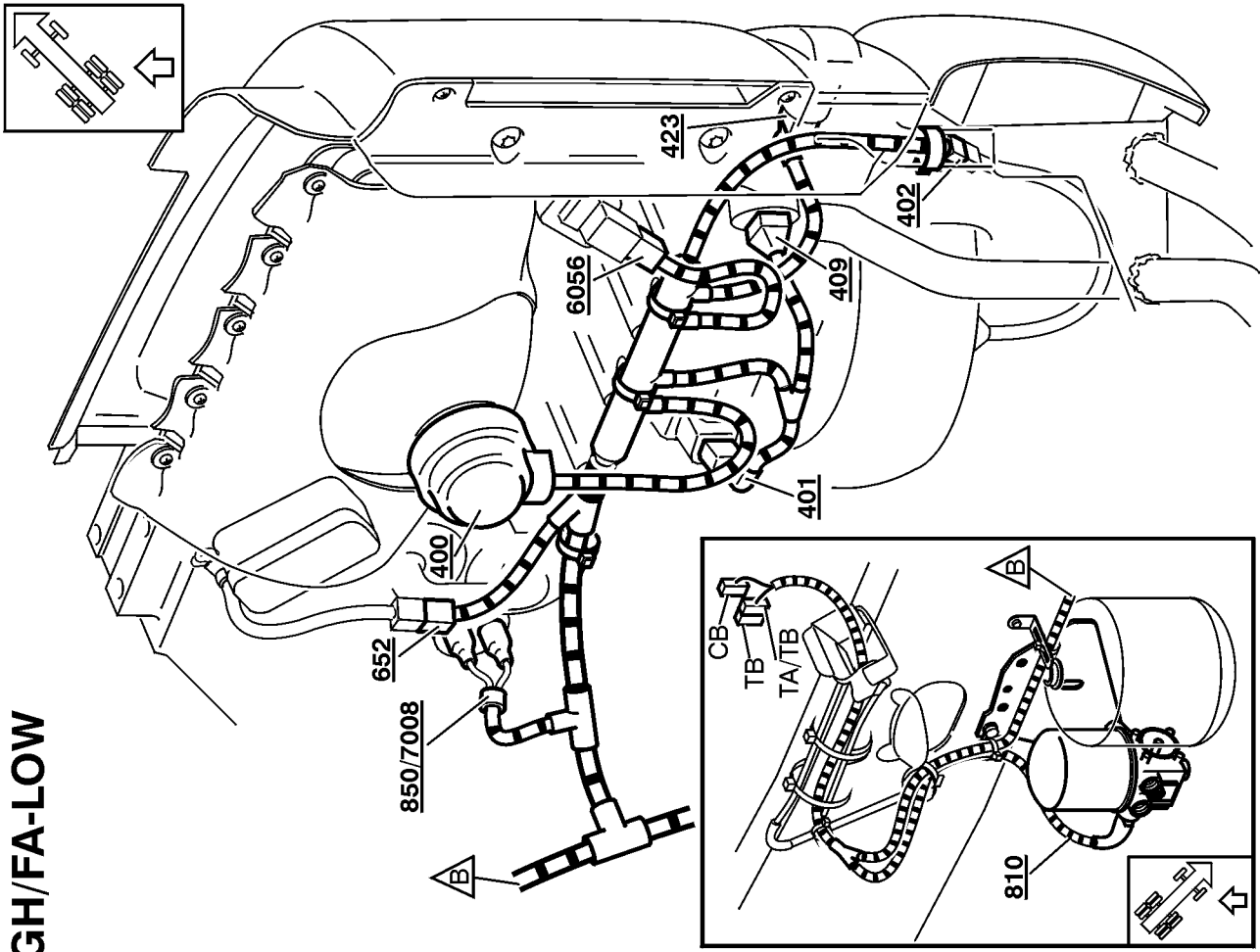


1017, PH-CAB, USLCP

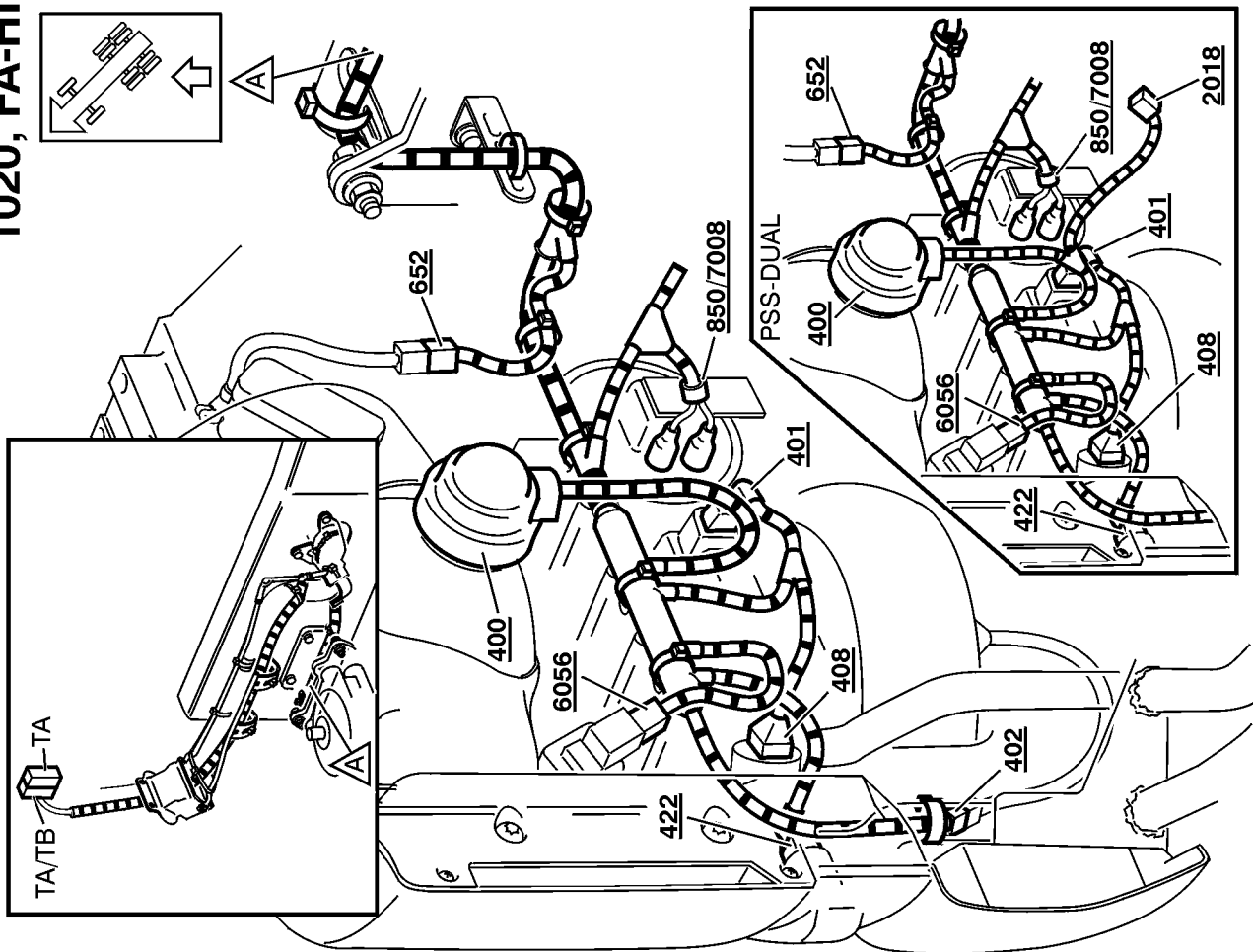
1017, PH-CAB, USLCP



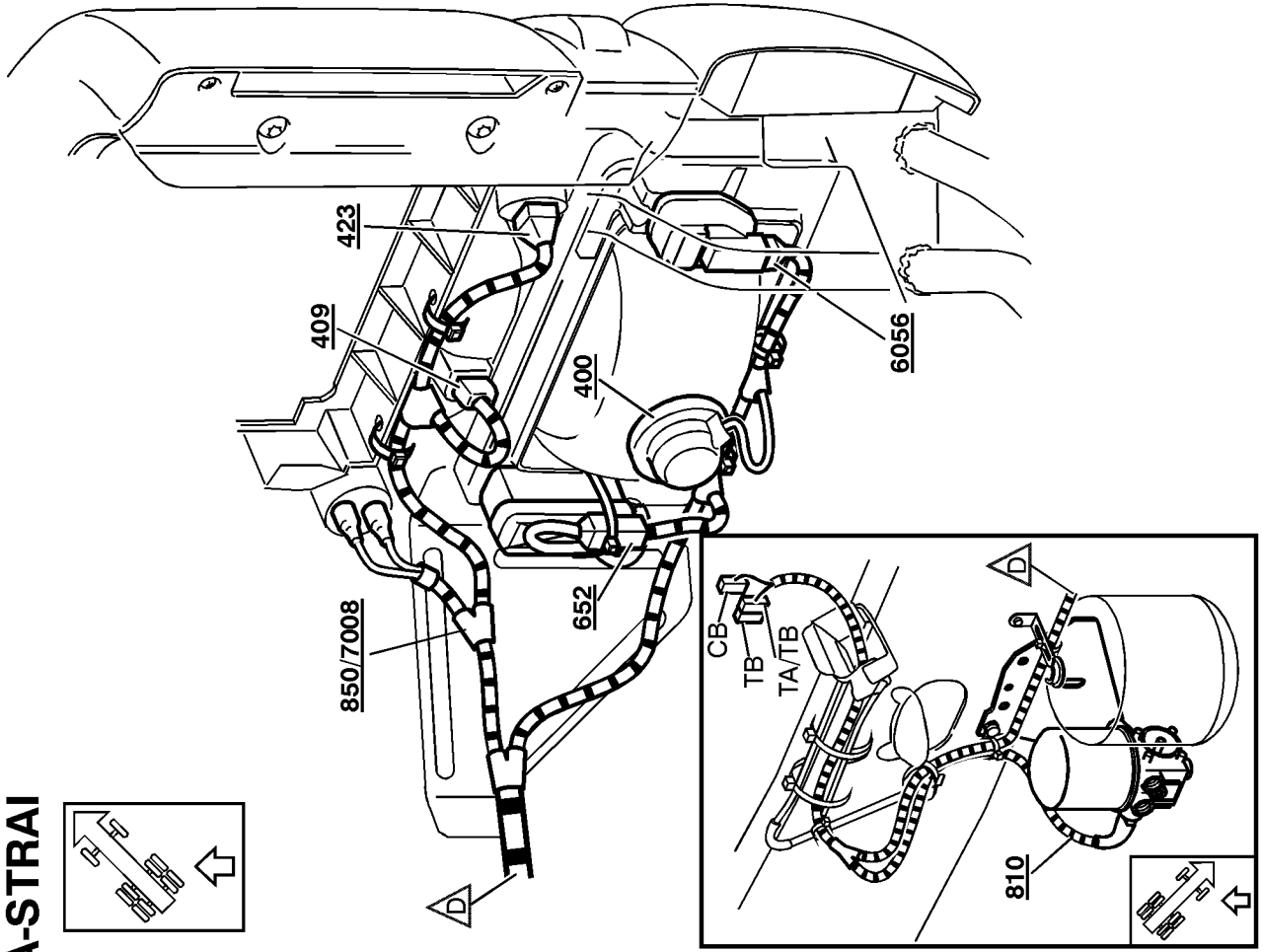
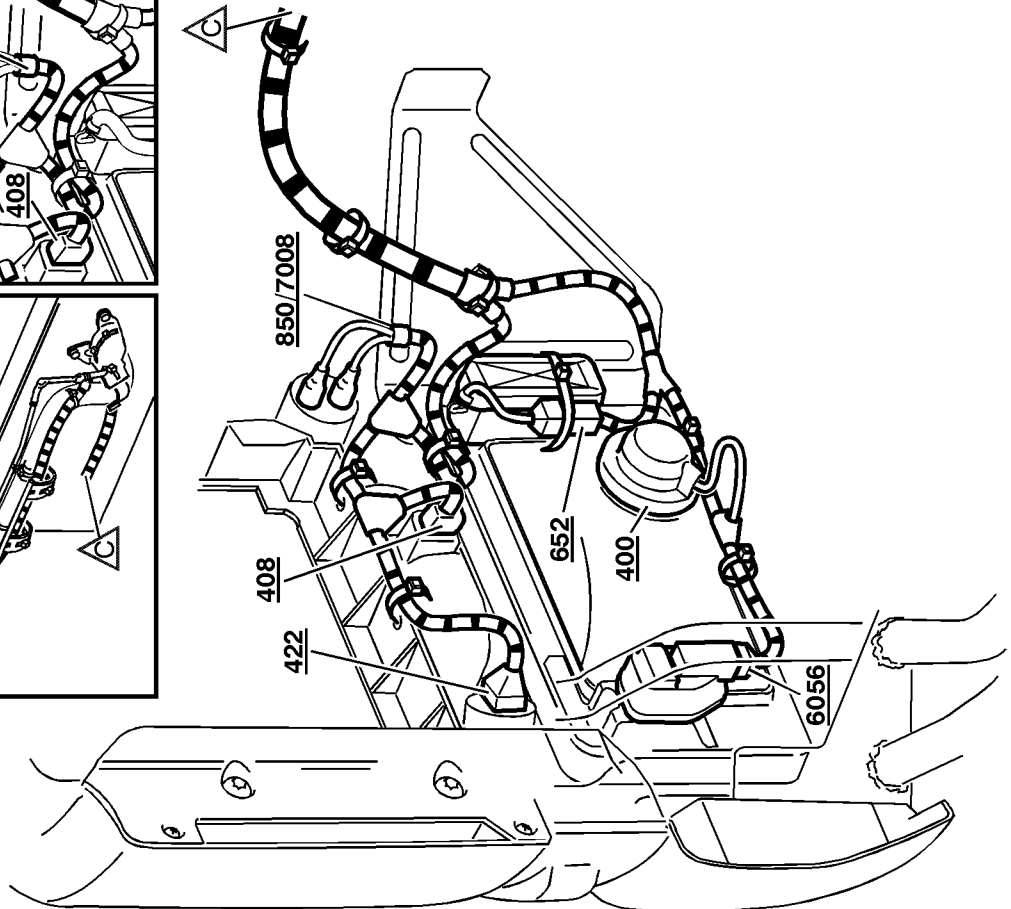
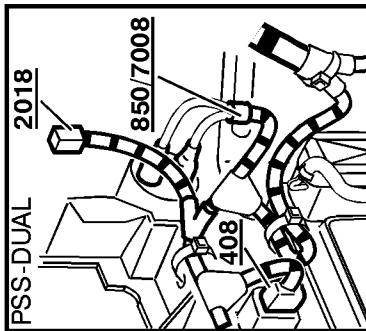
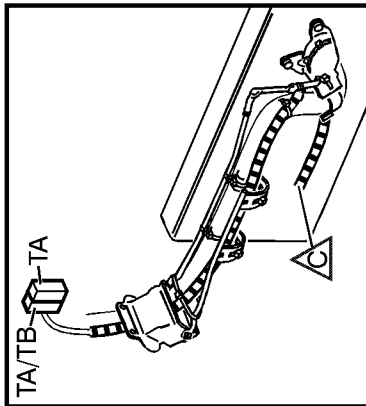
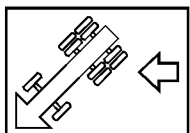
1020, FA-HIGH/FA-LOW



1020, FA-HIGH/FA-LOW



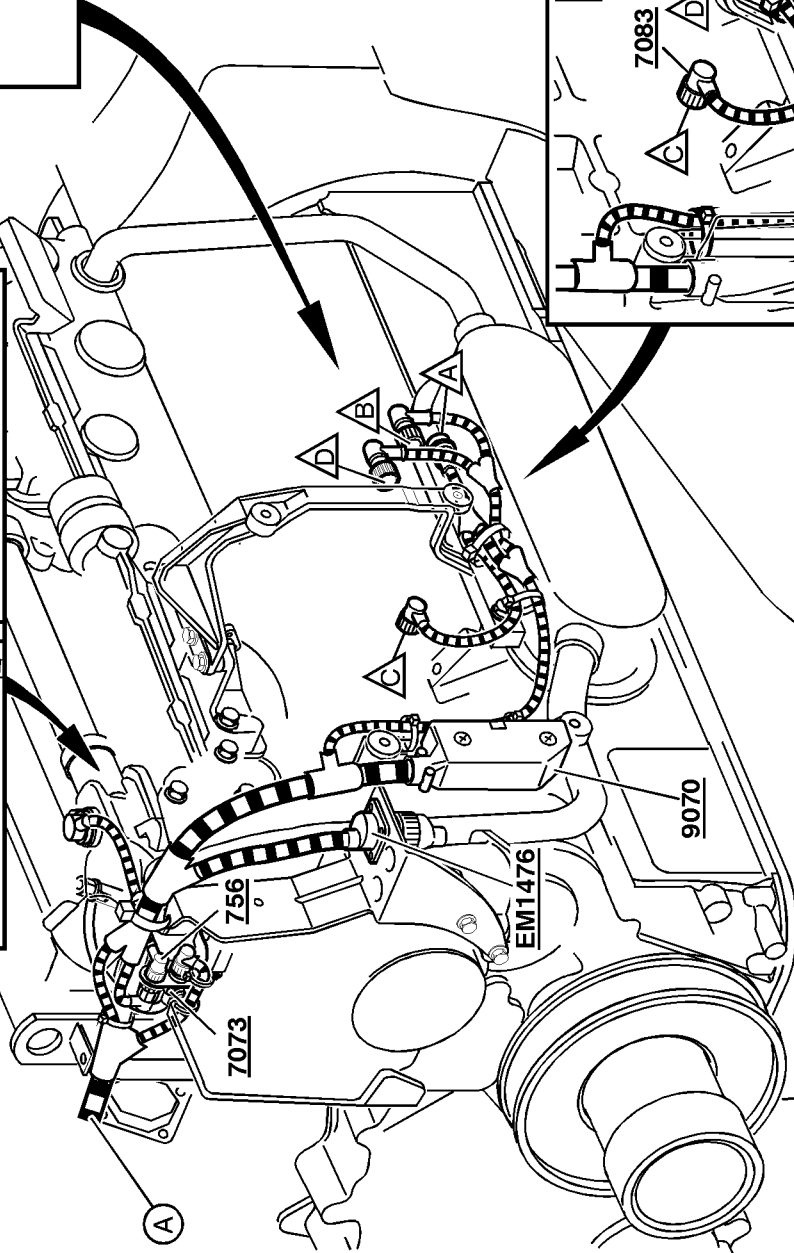
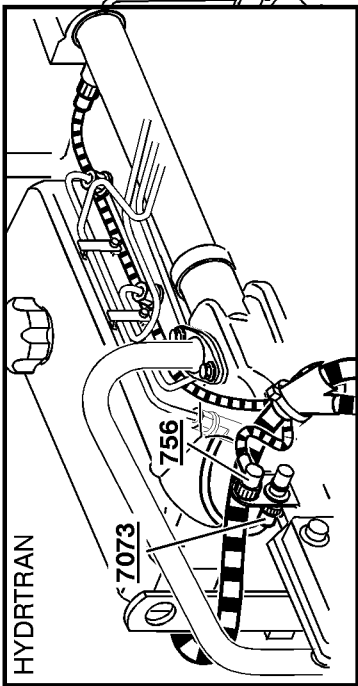
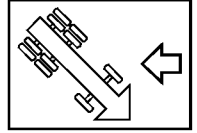
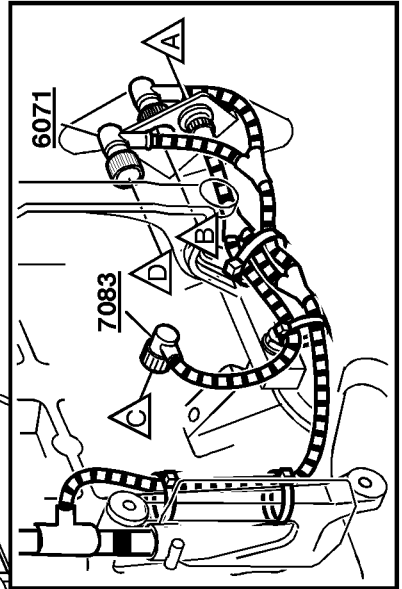
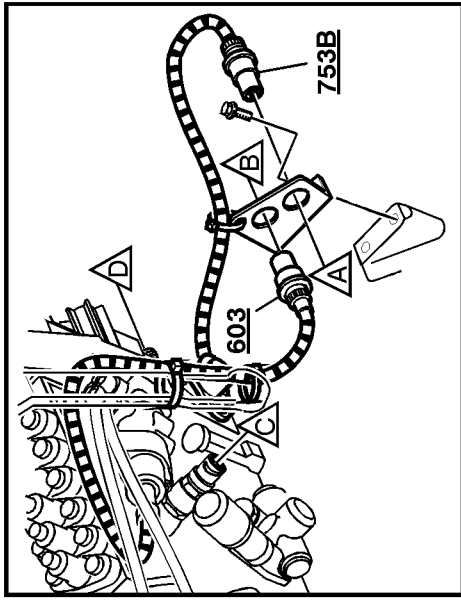
1020, FA-STRAI

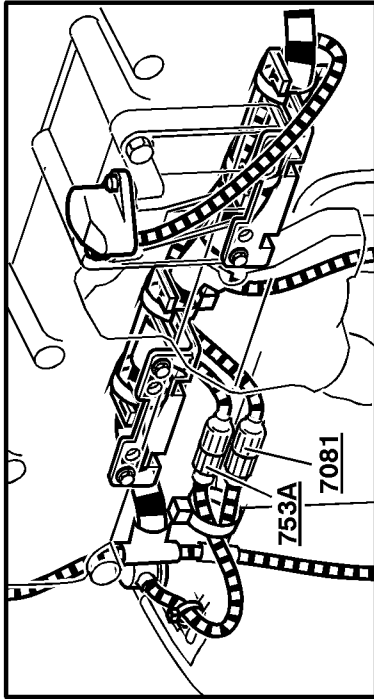
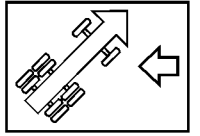


1020, FA-STRAI

1030, FM7

1030, FM7





1030, FM7

7084

759

A

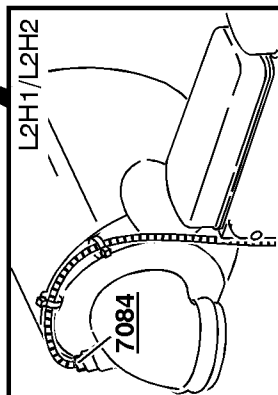
312

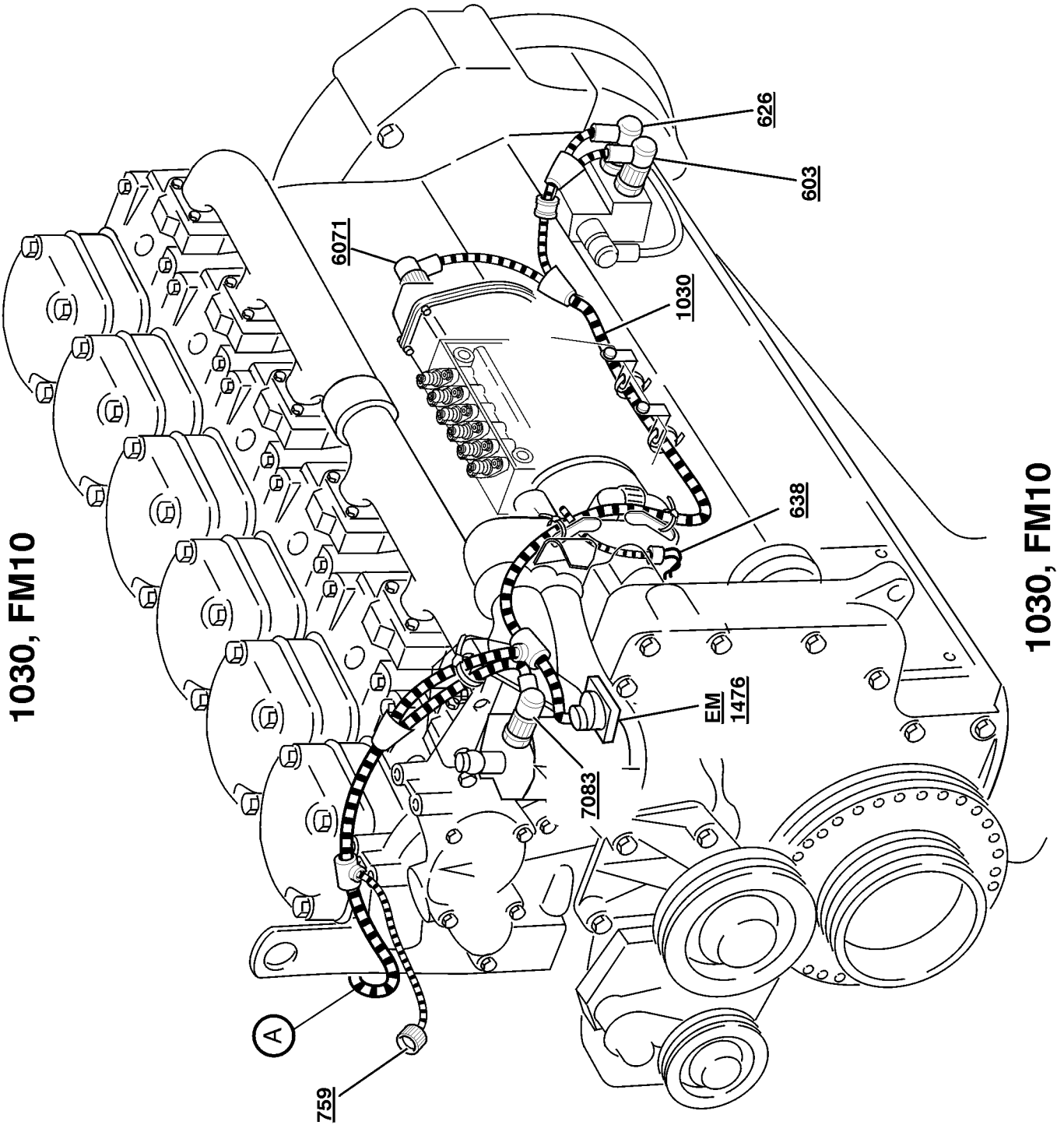
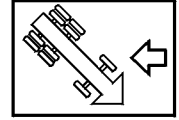
800

1030, FM7

7082

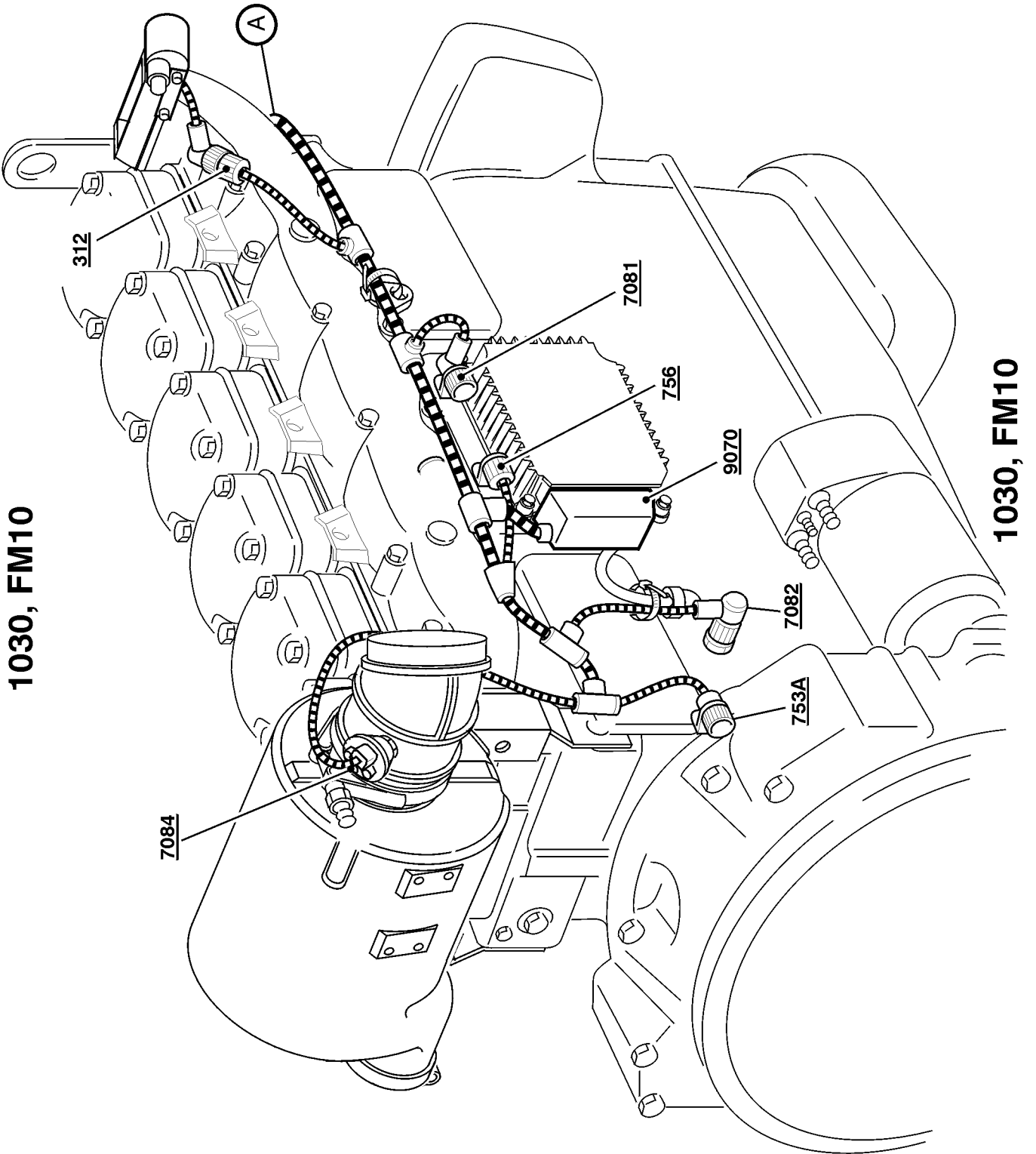
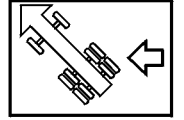
626





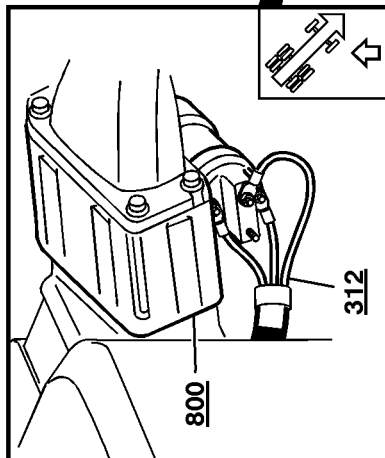
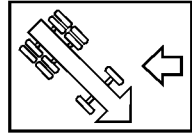
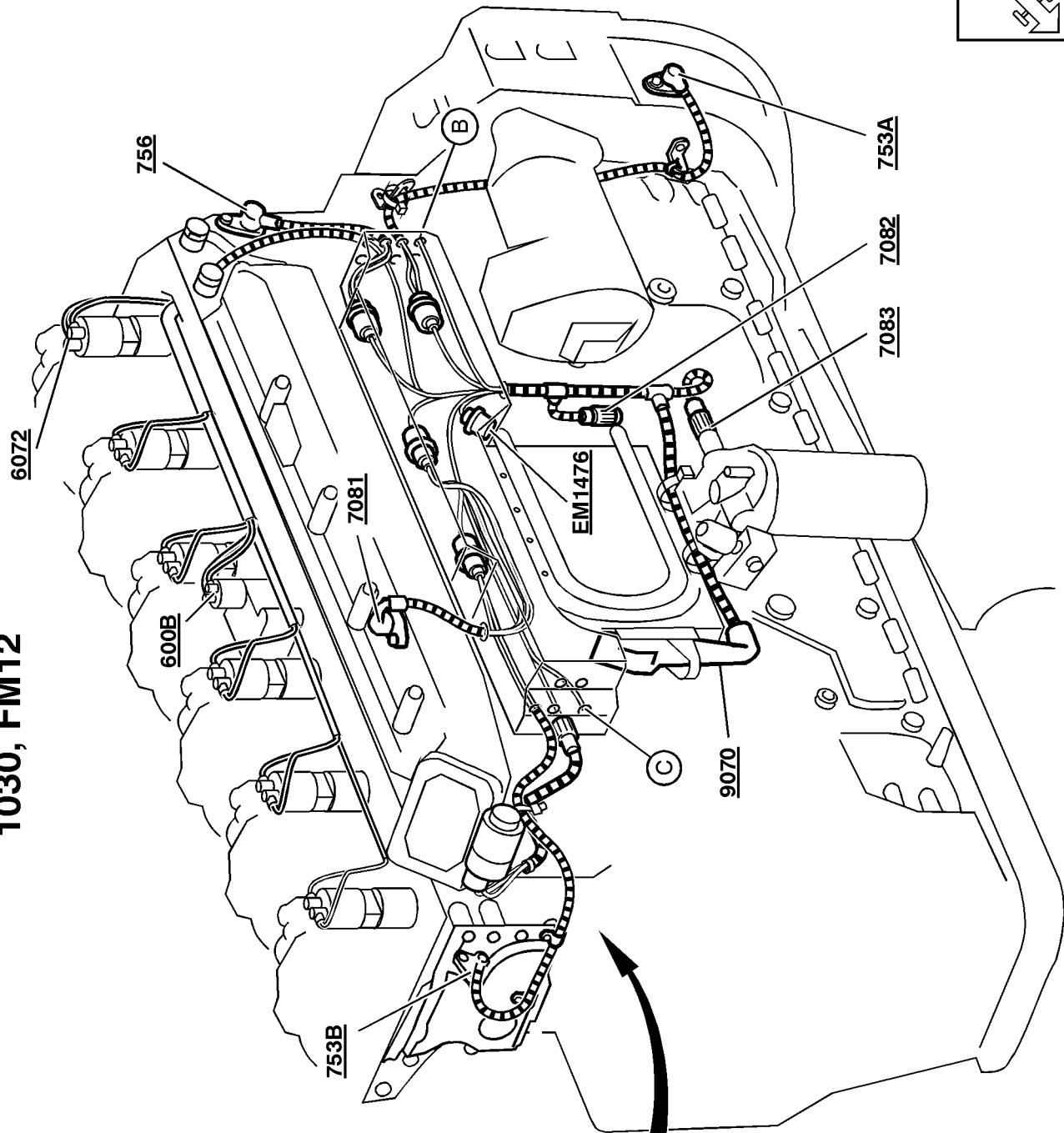
1030, FM10

1030, FM10



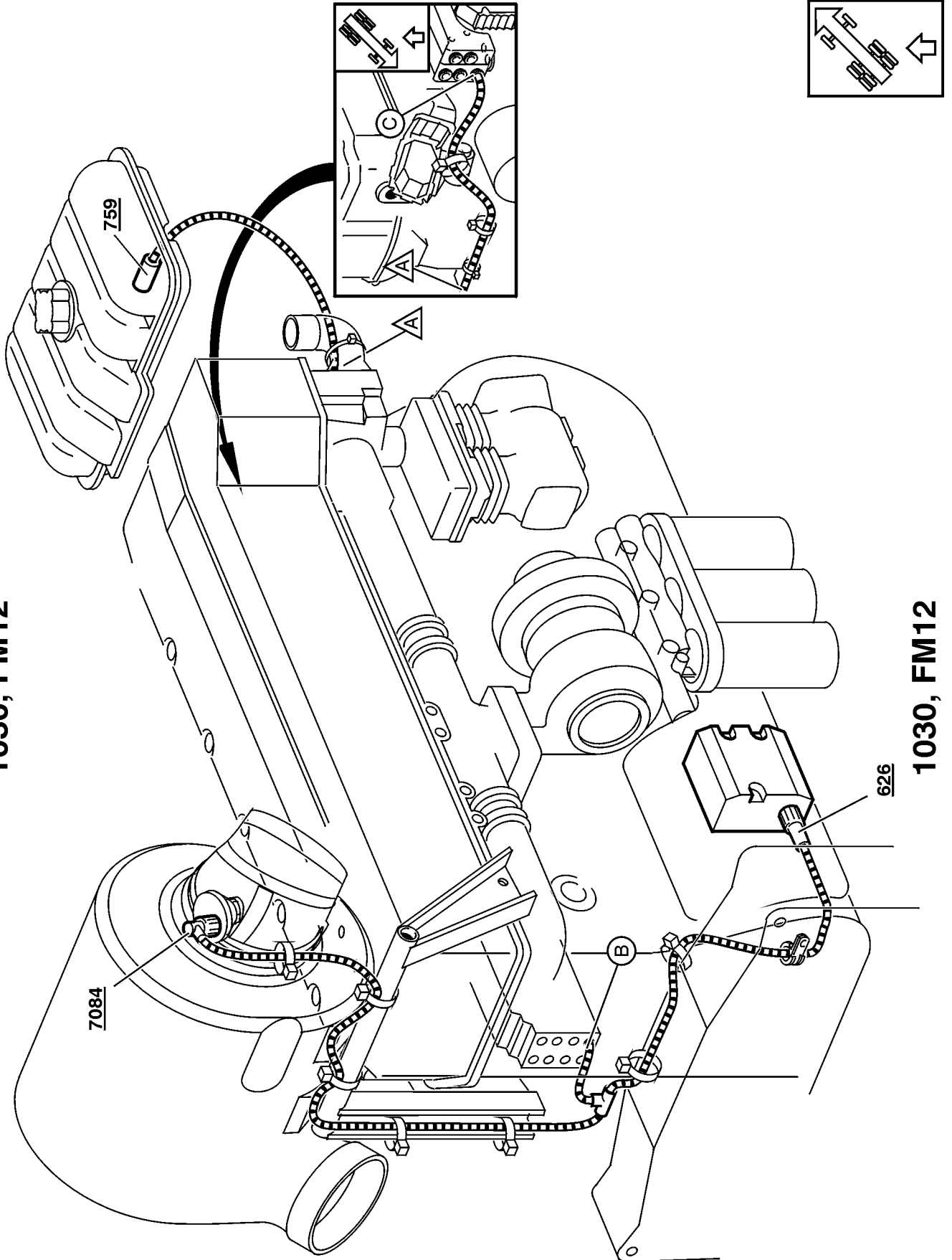
1030, FM12

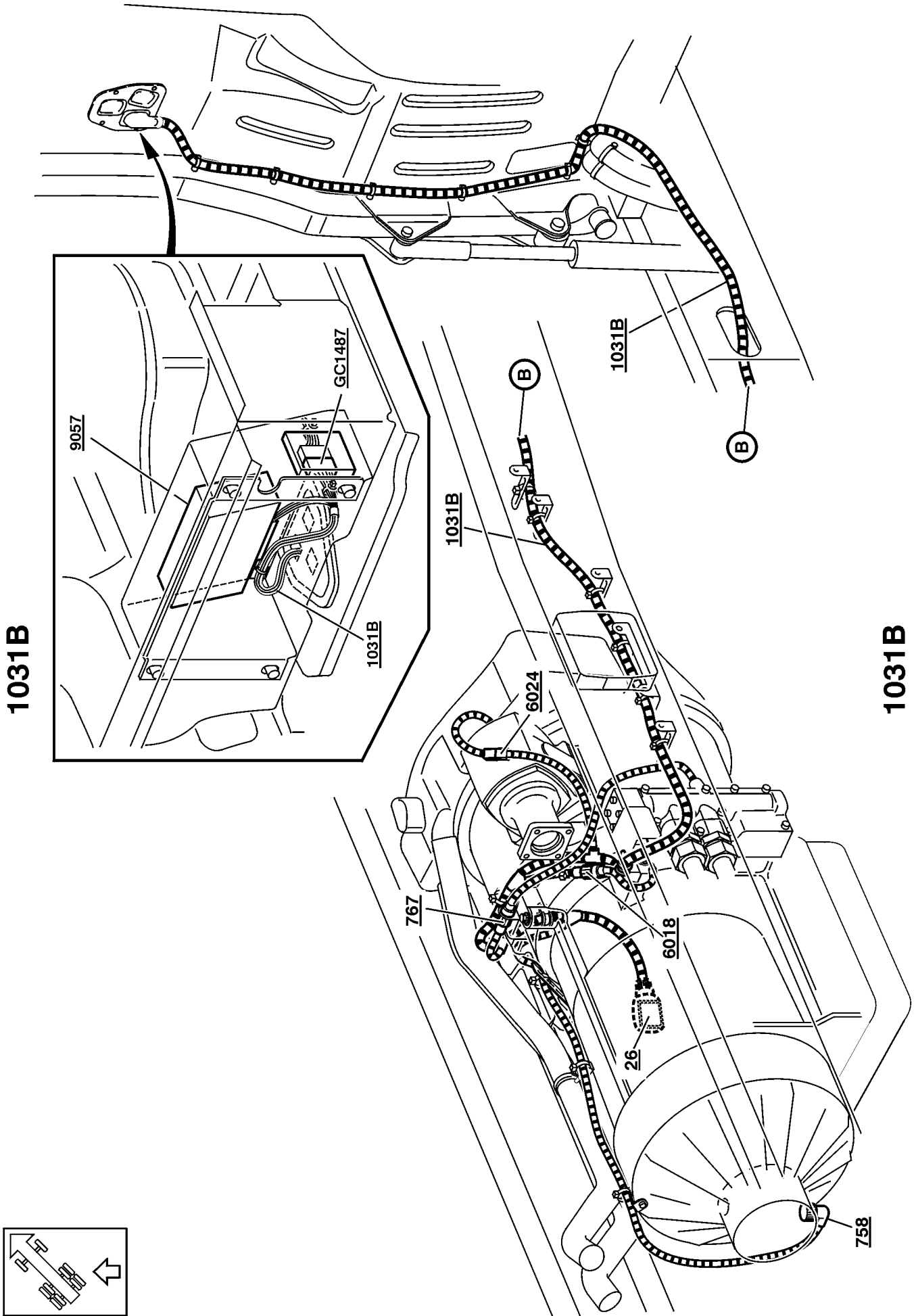
1030, FM12

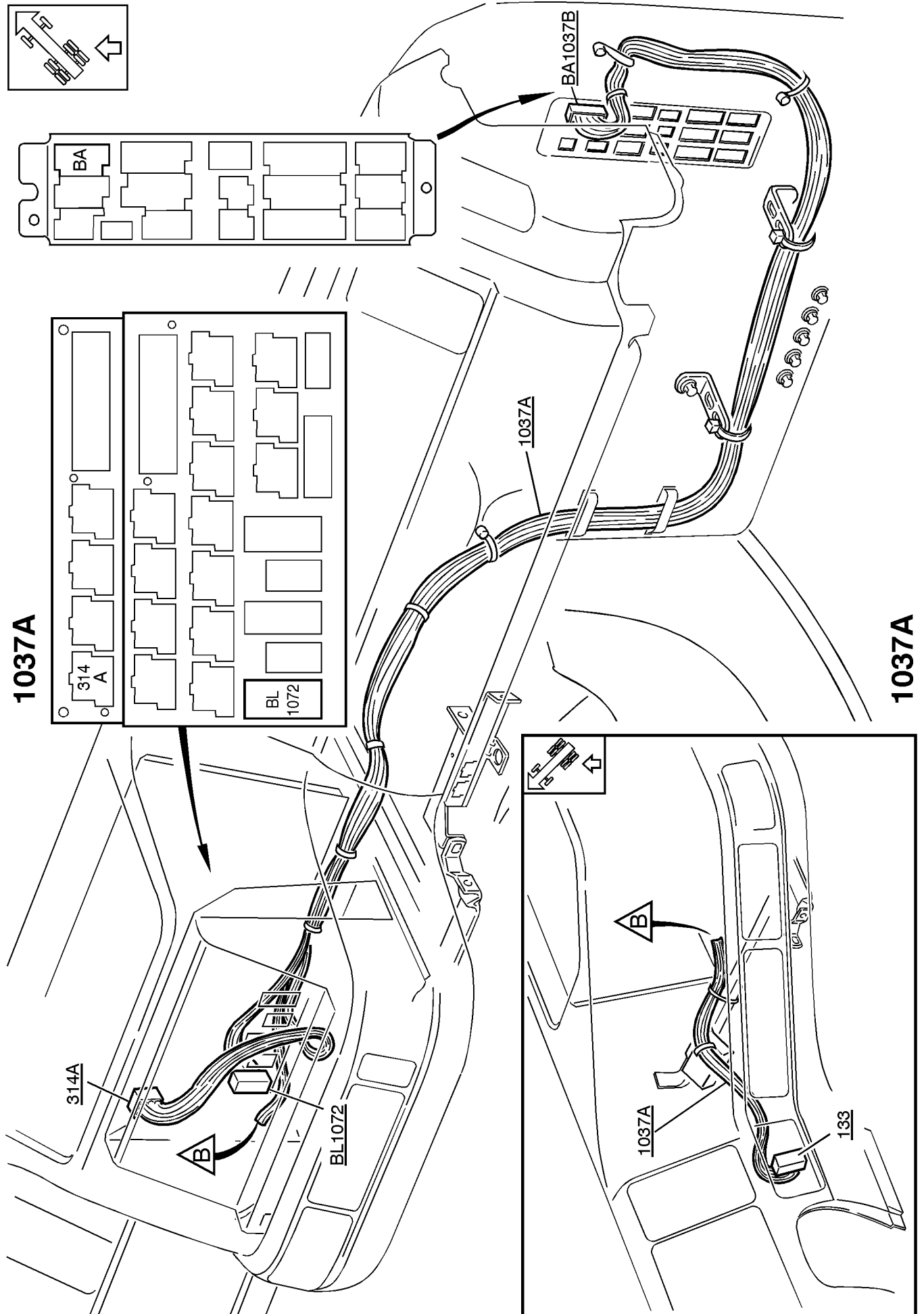


1030, FM12

1030, FM12

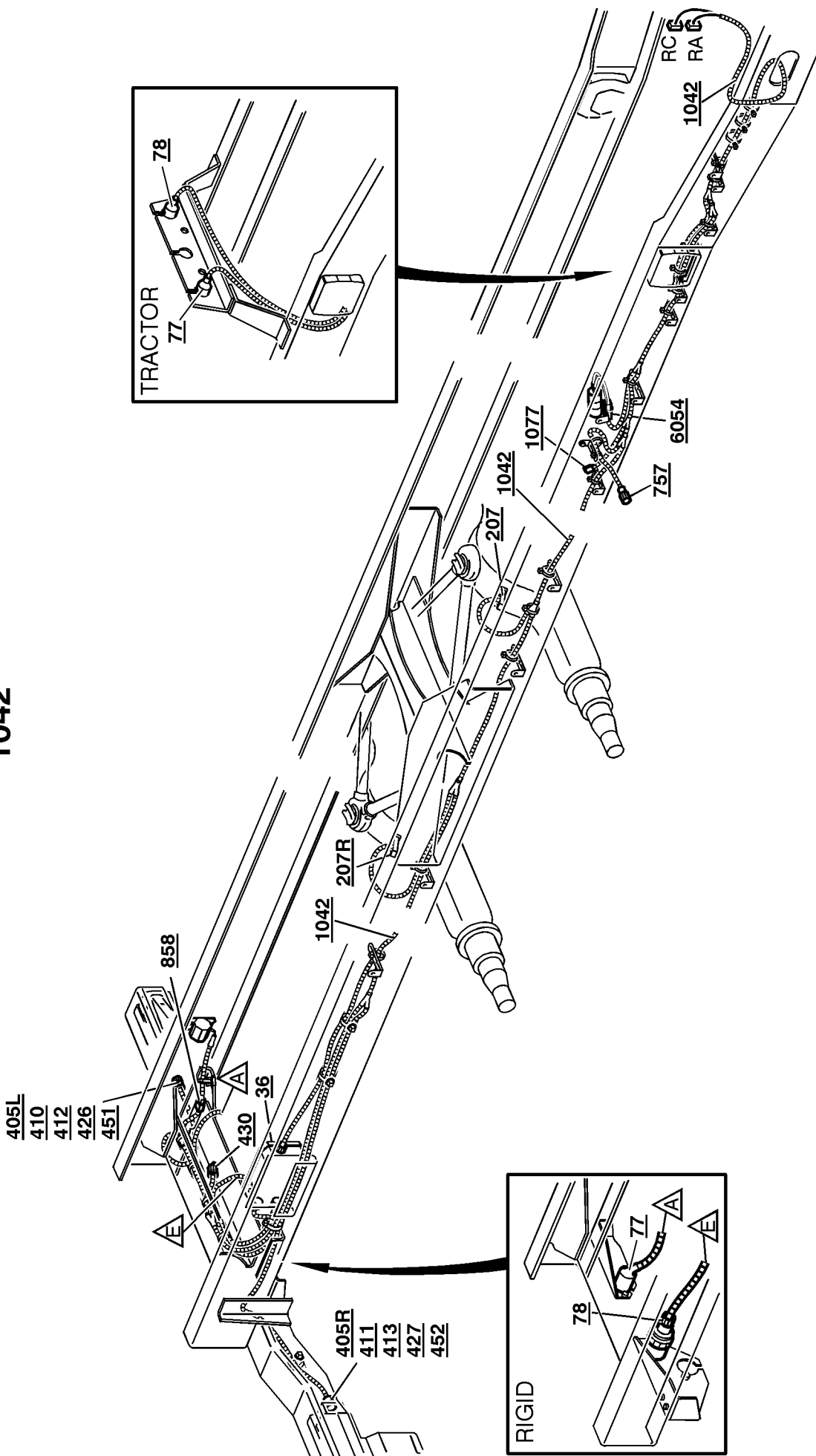




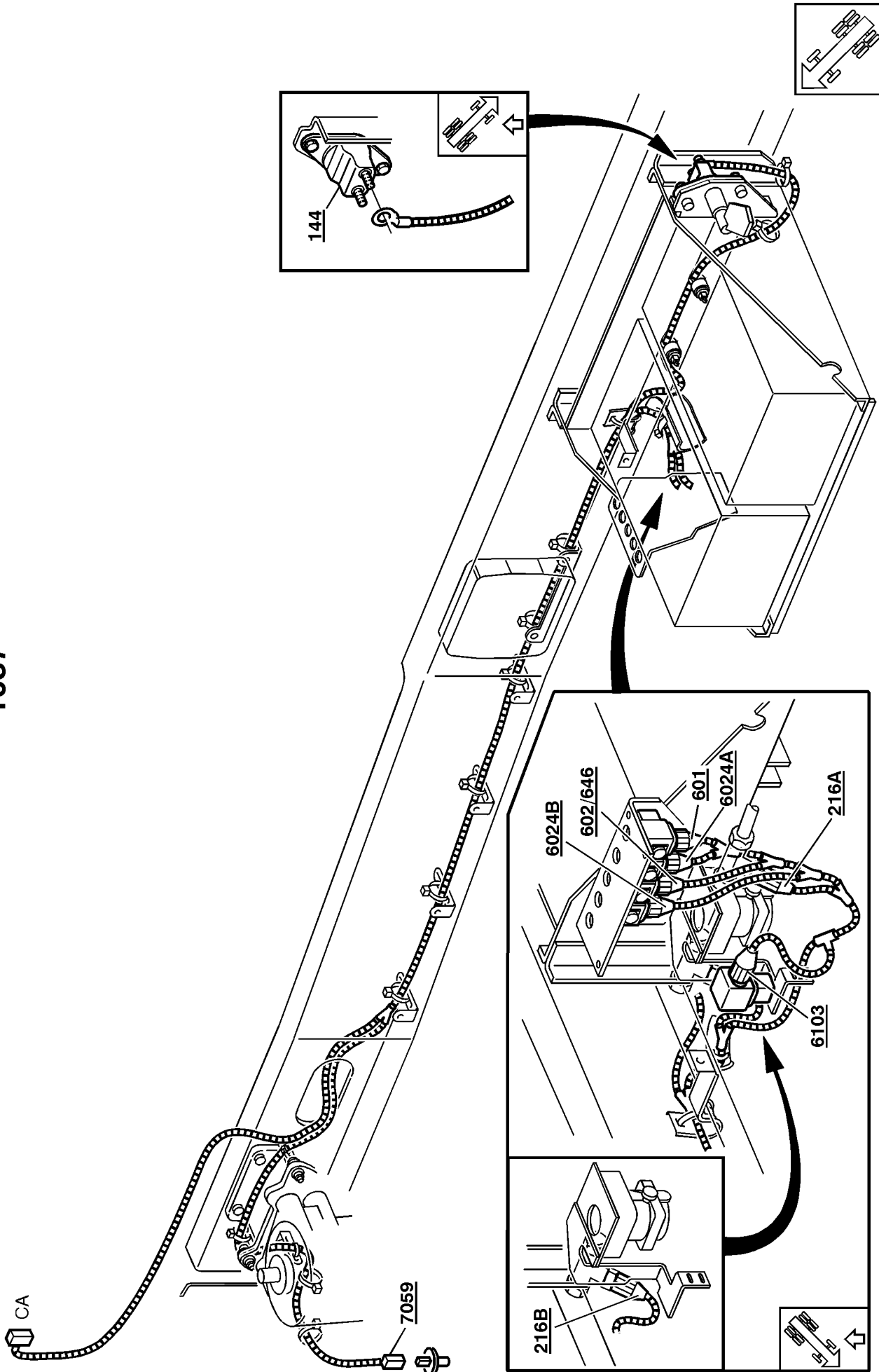


1042

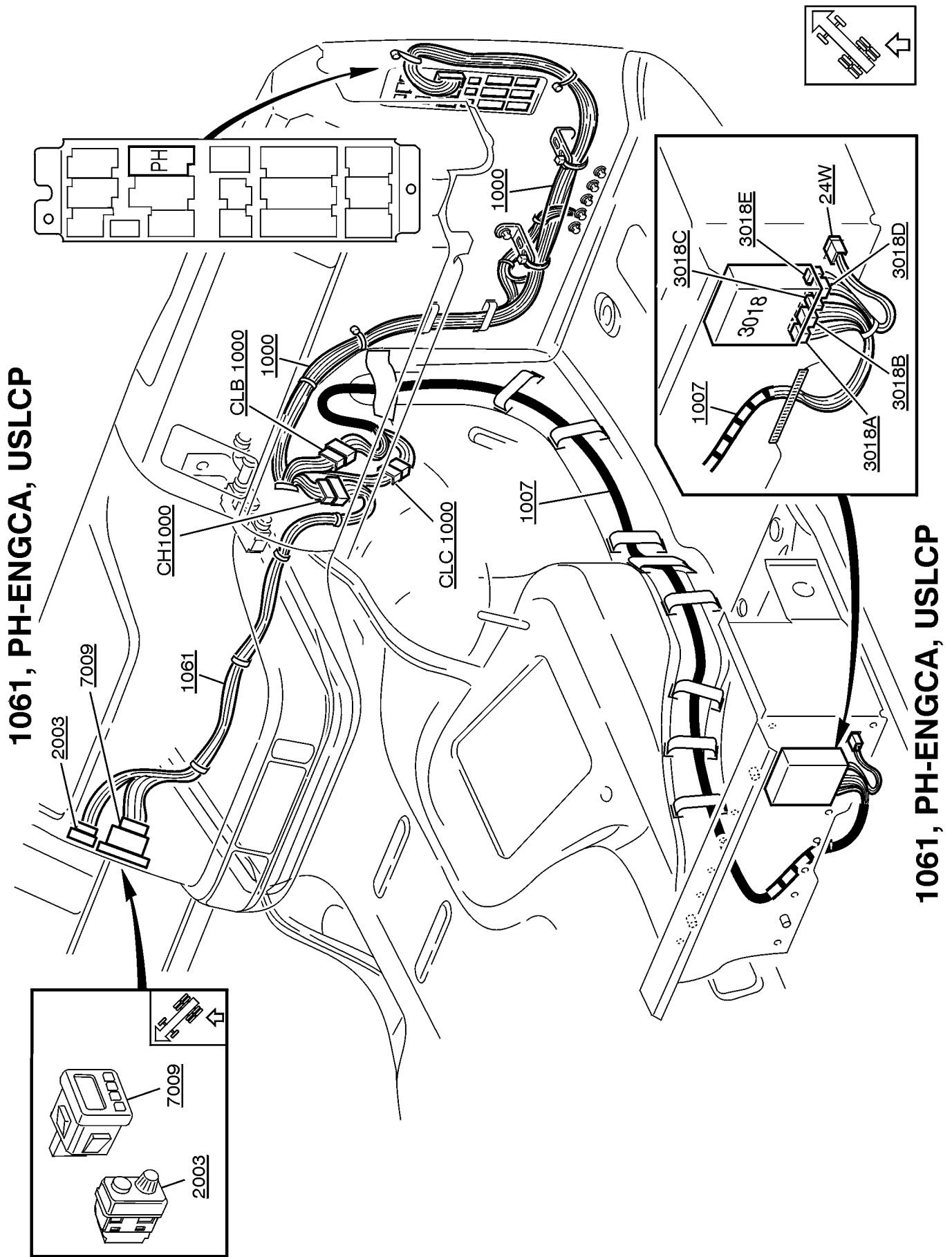
1042



1057

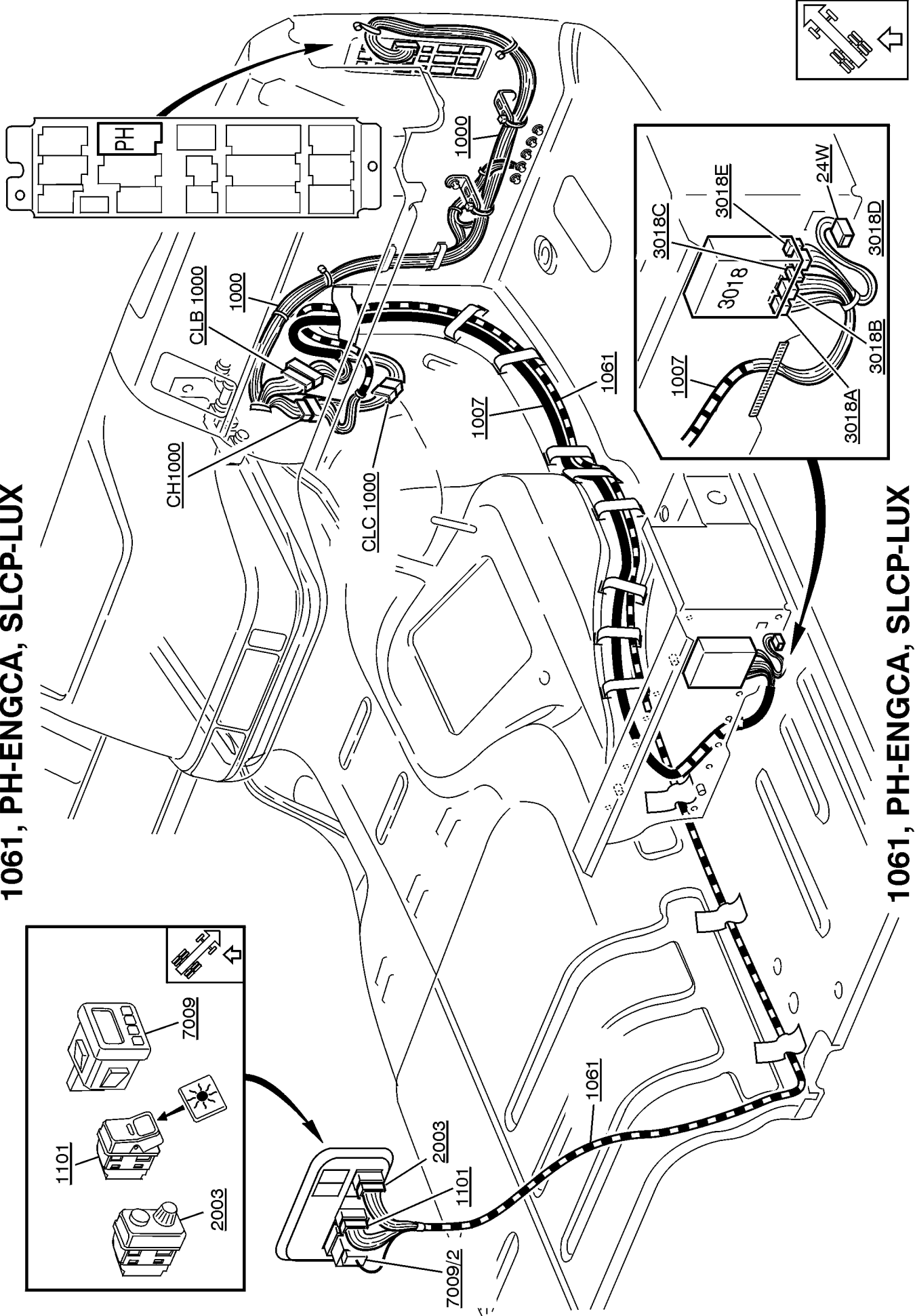


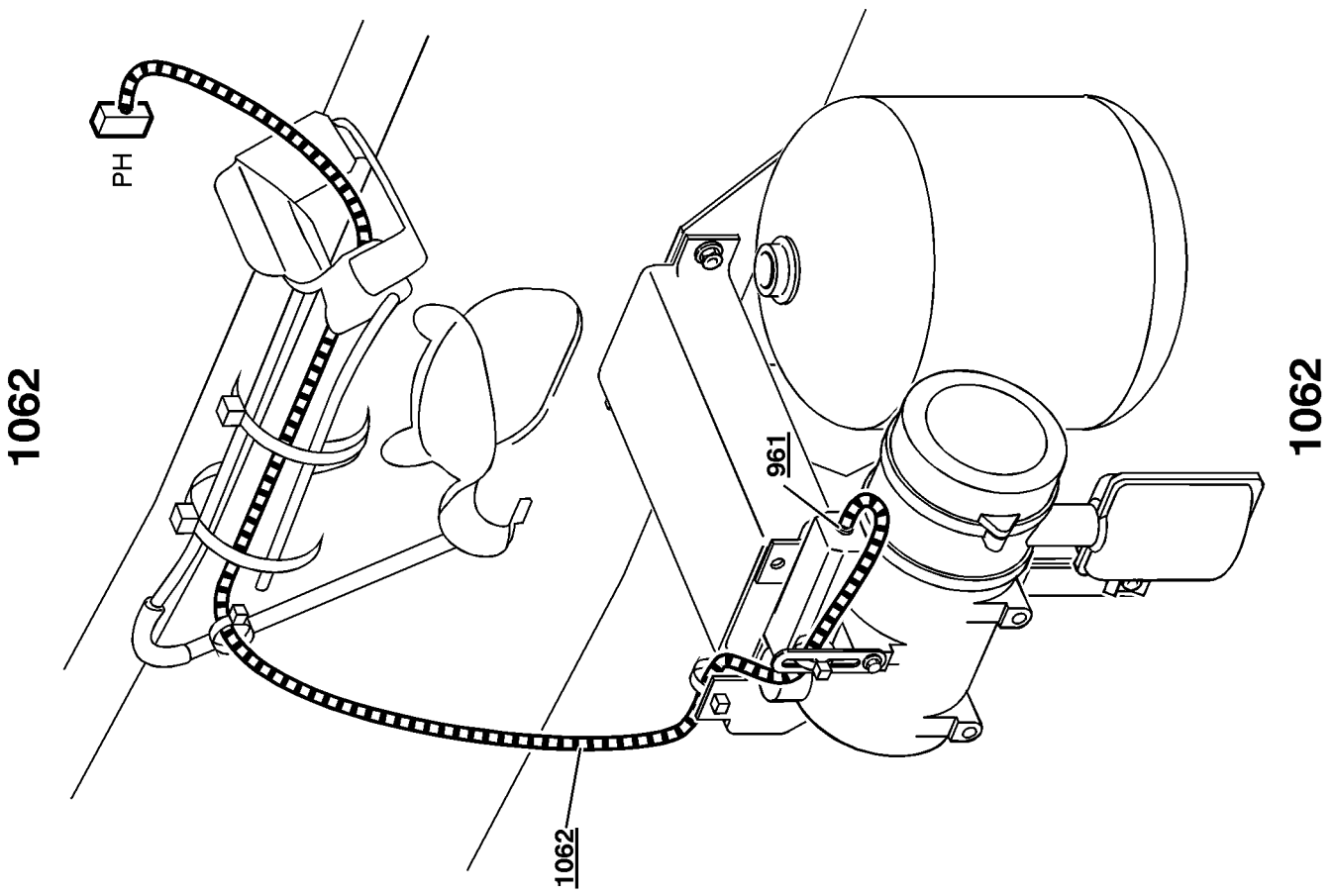
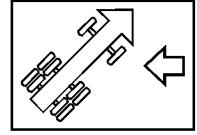
1057

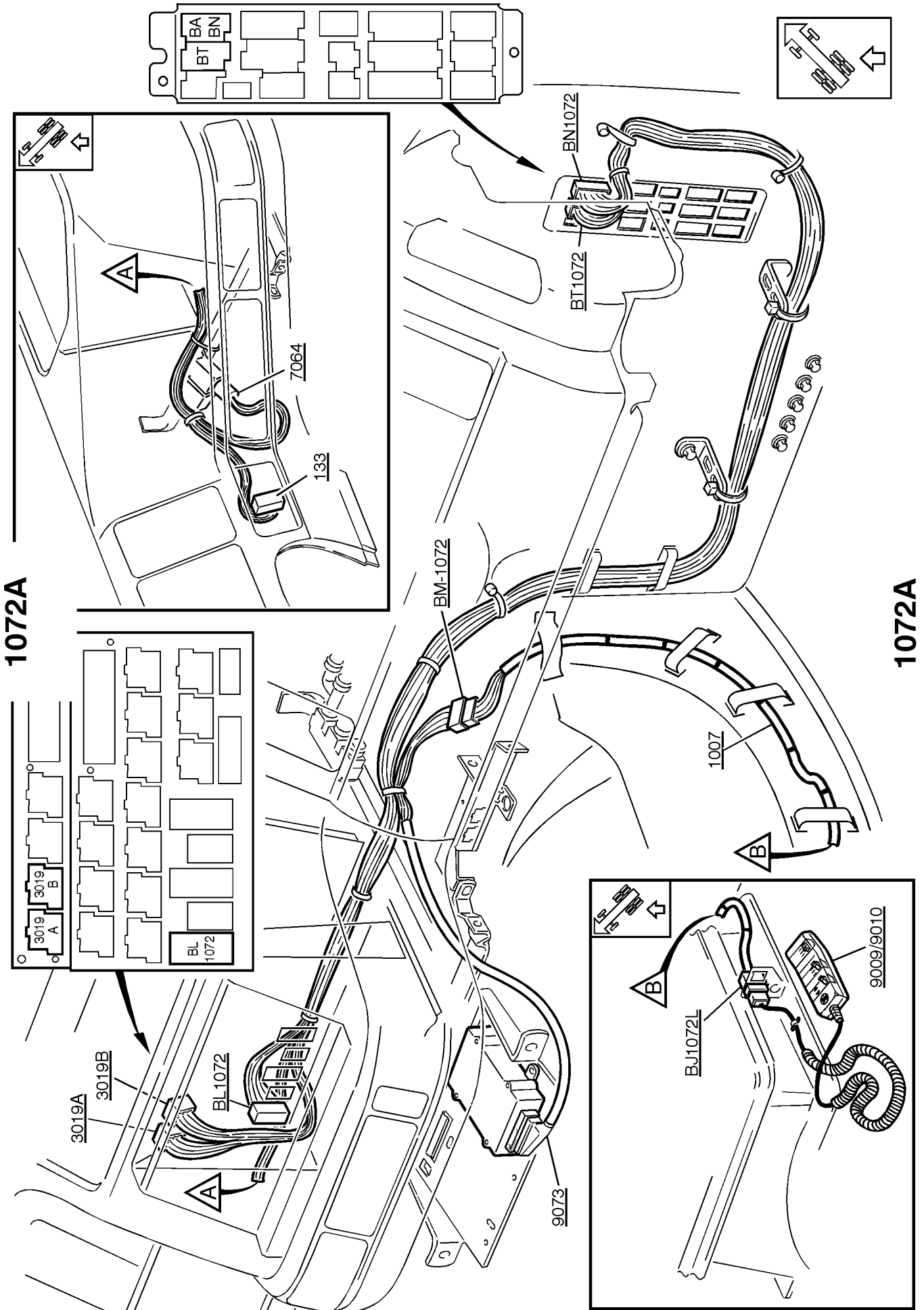


1061, PH-ENGCA, SLCP-LUX

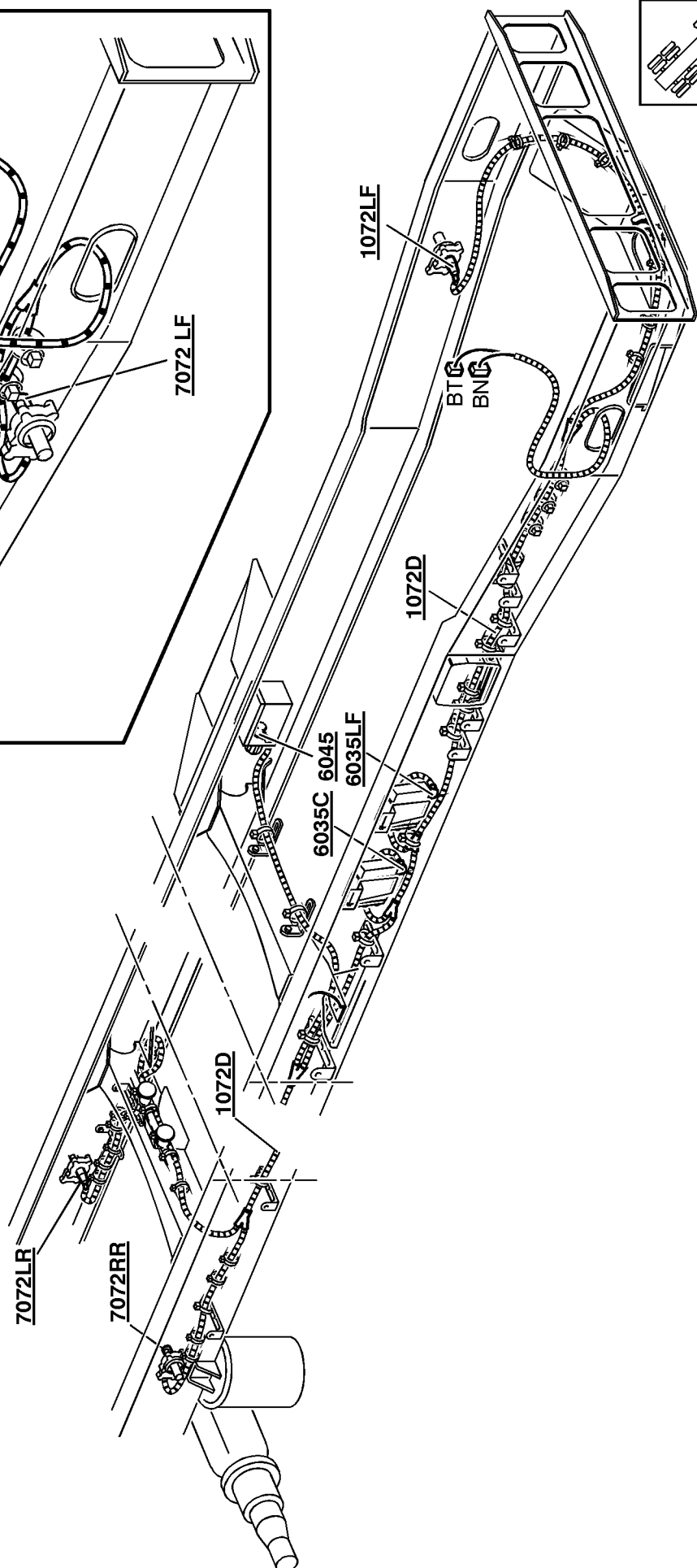
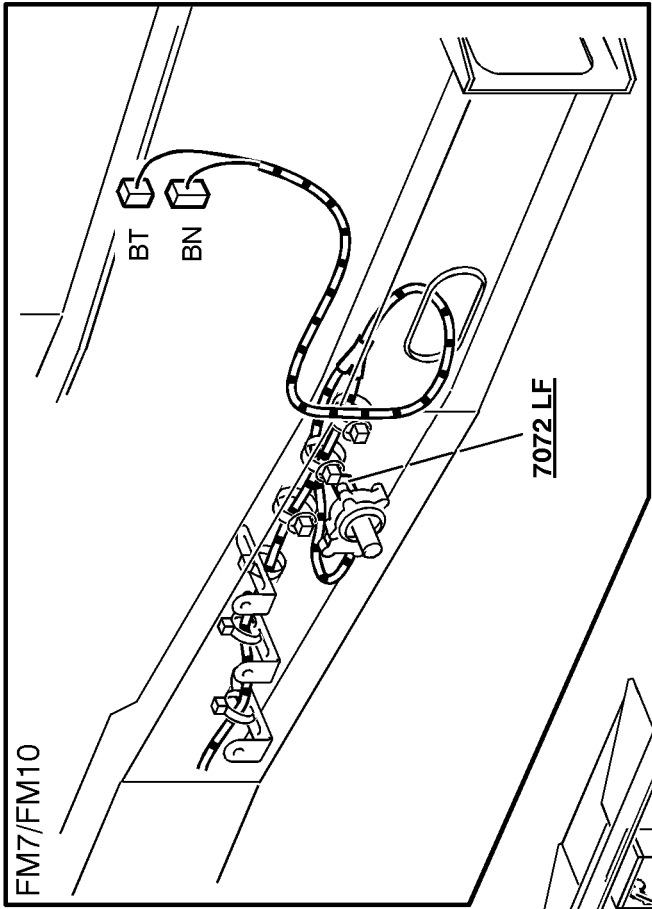
1061, PH-ENGCA, SLCP-LUX



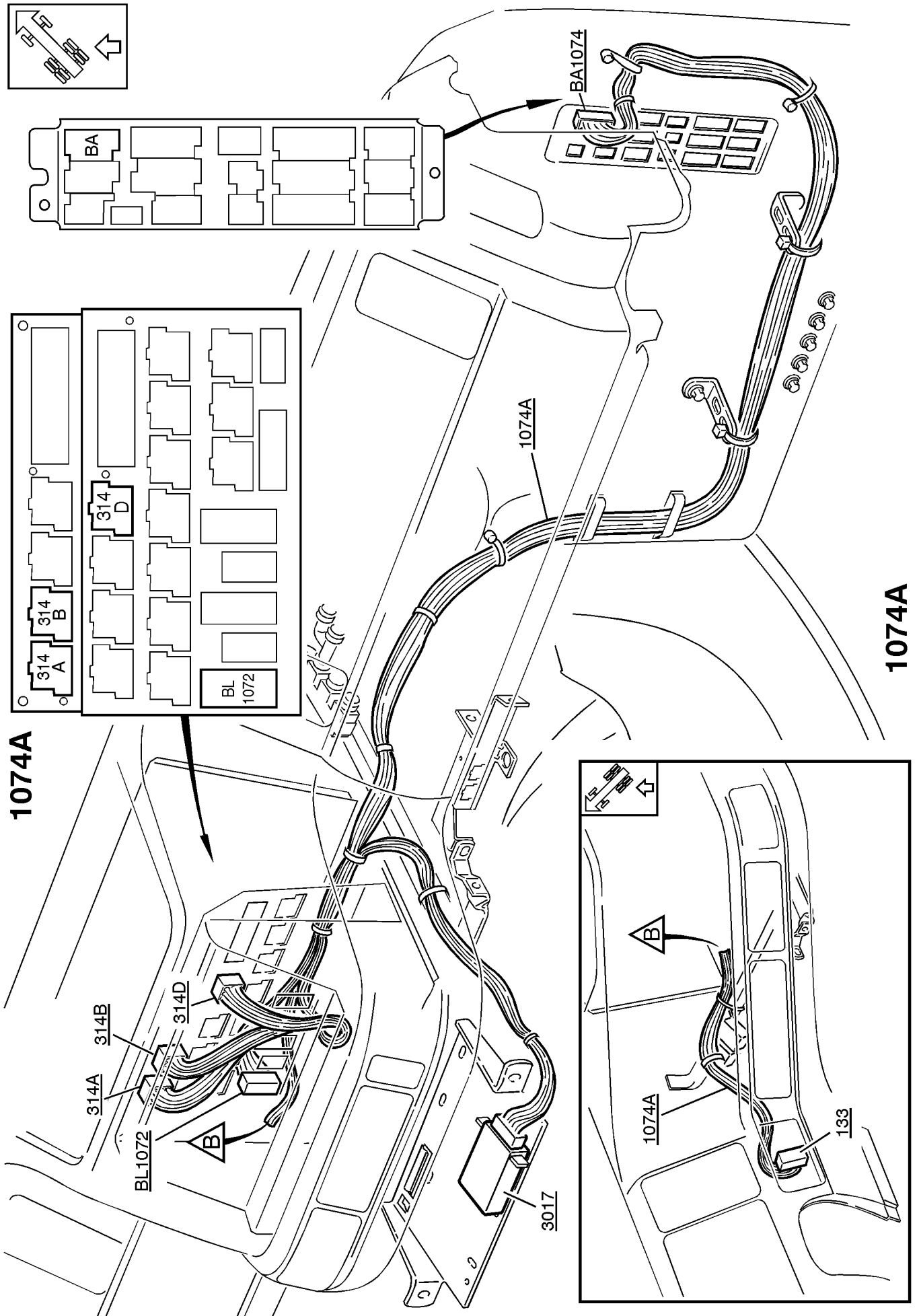




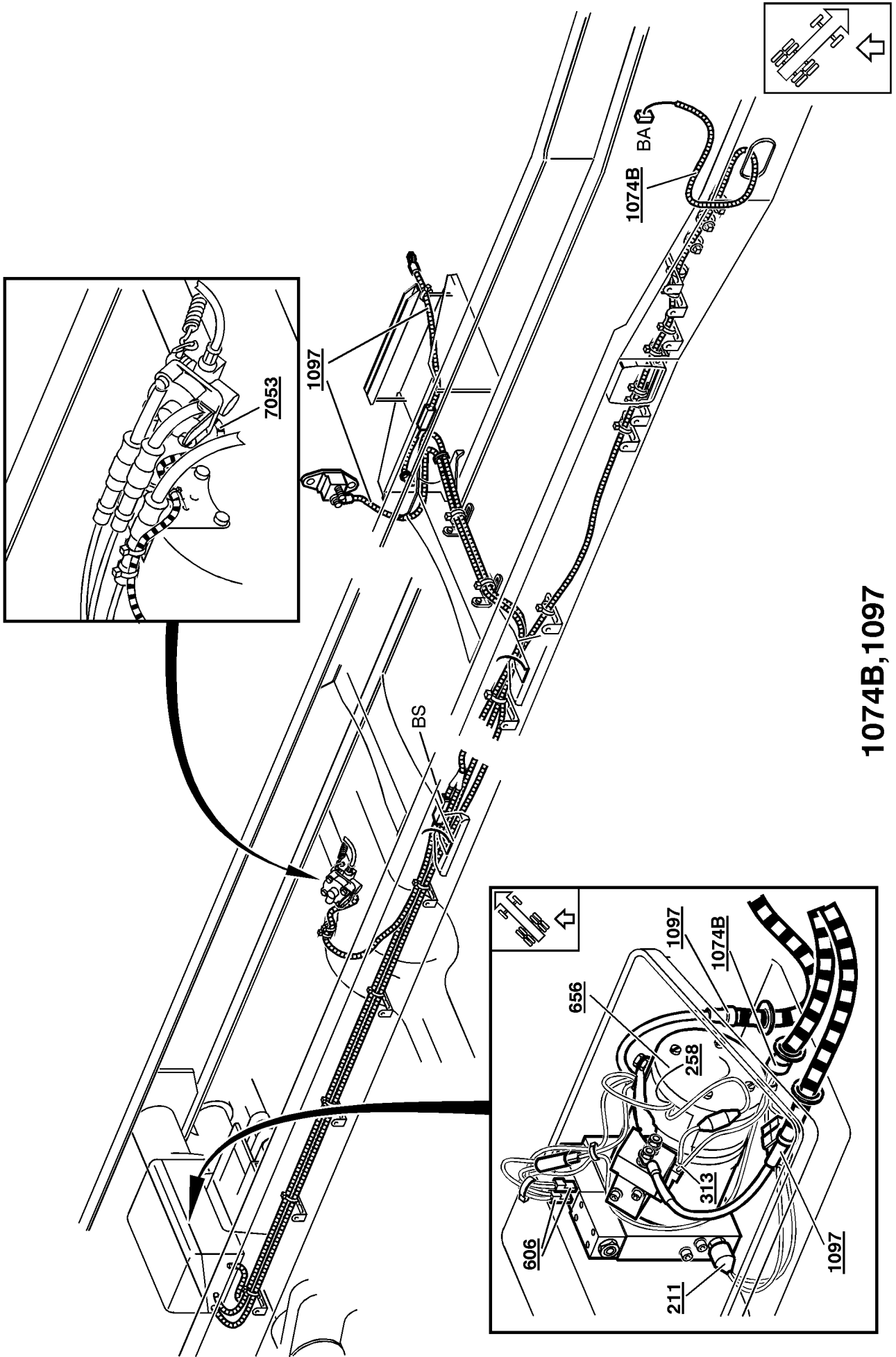
1072D



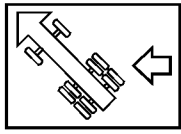
1072D



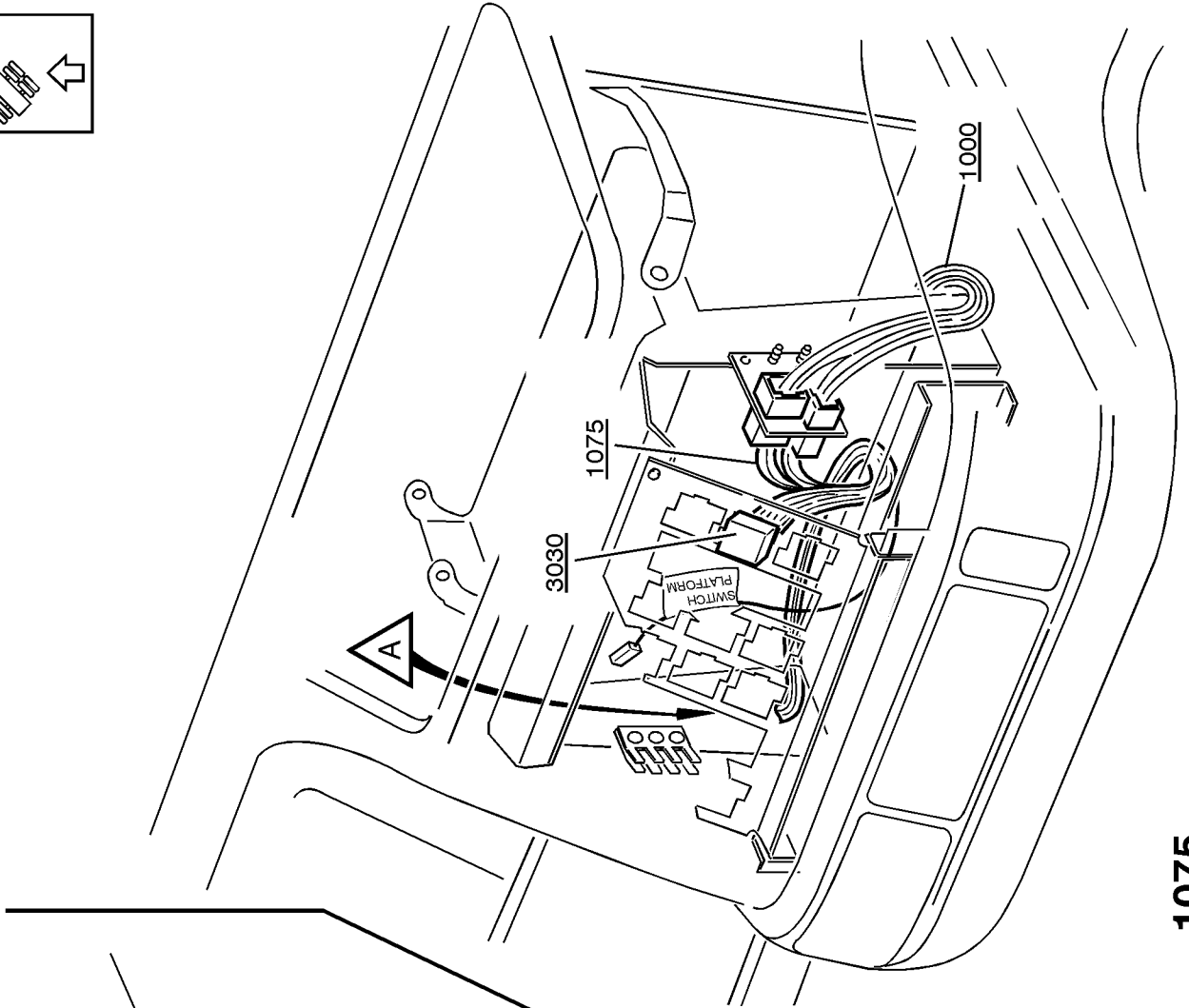
1074B,1097



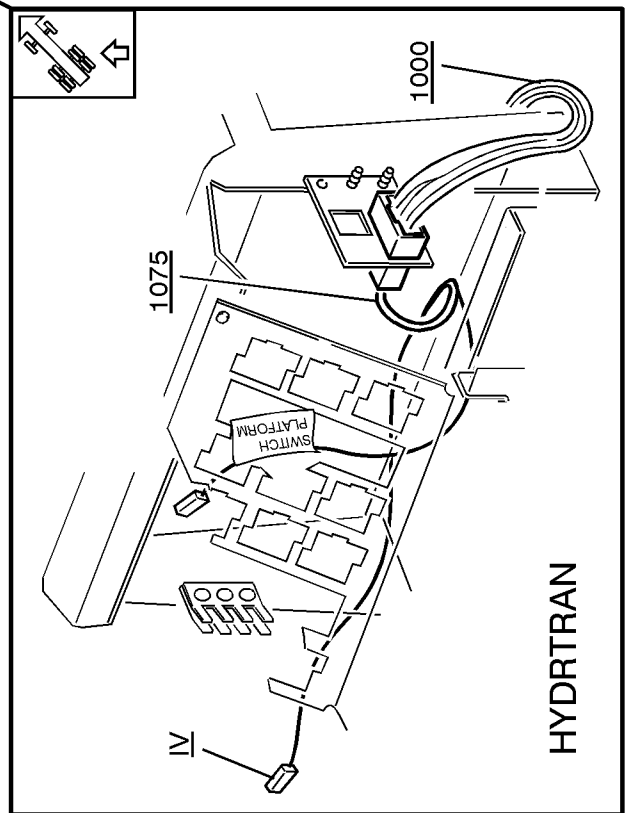
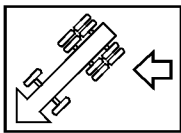
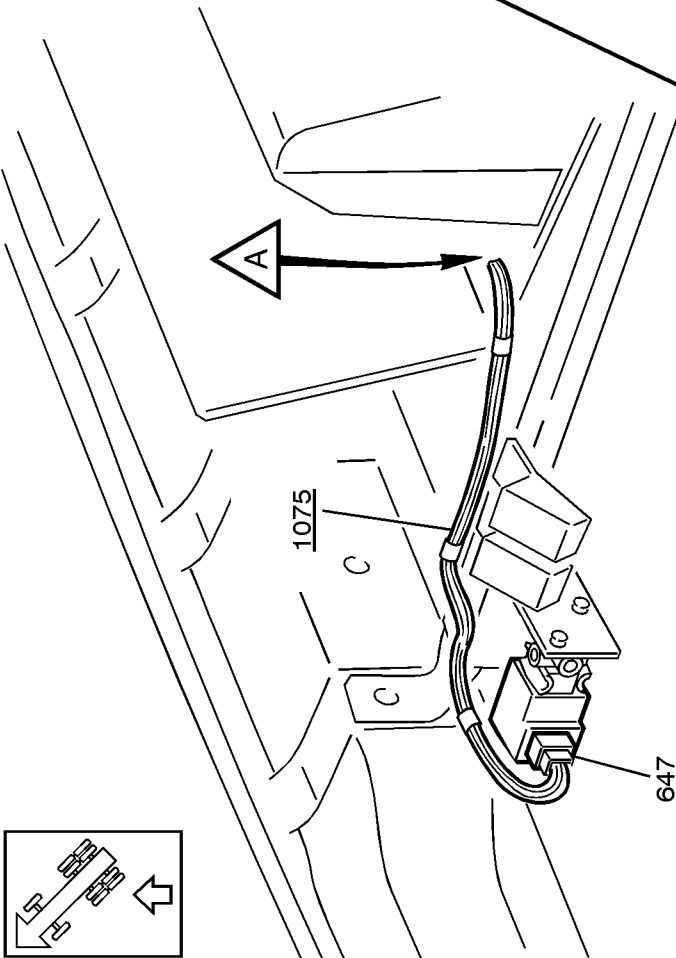
1074B,1097



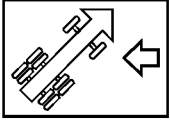
1075



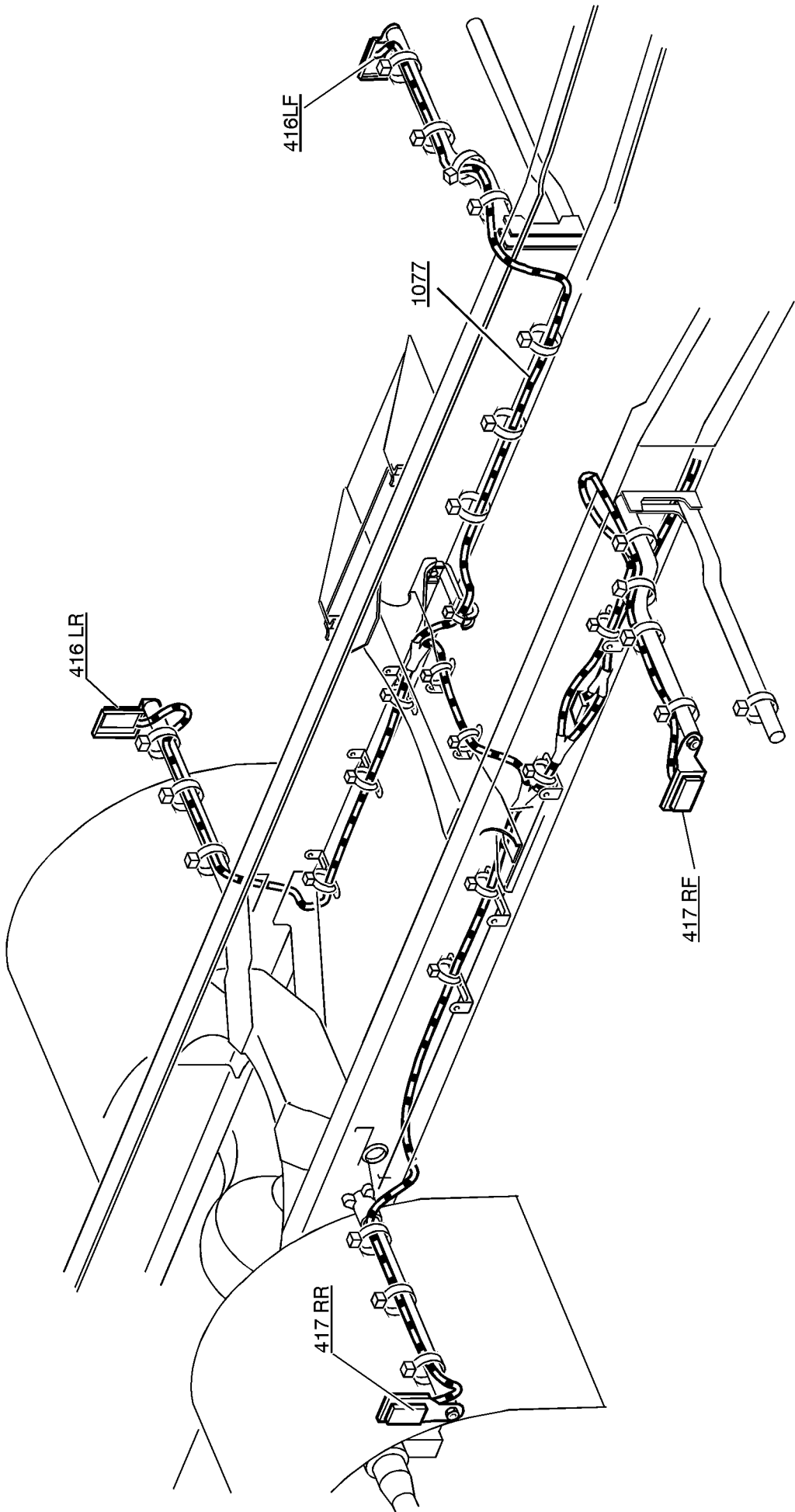
1075



HYDRTRAN



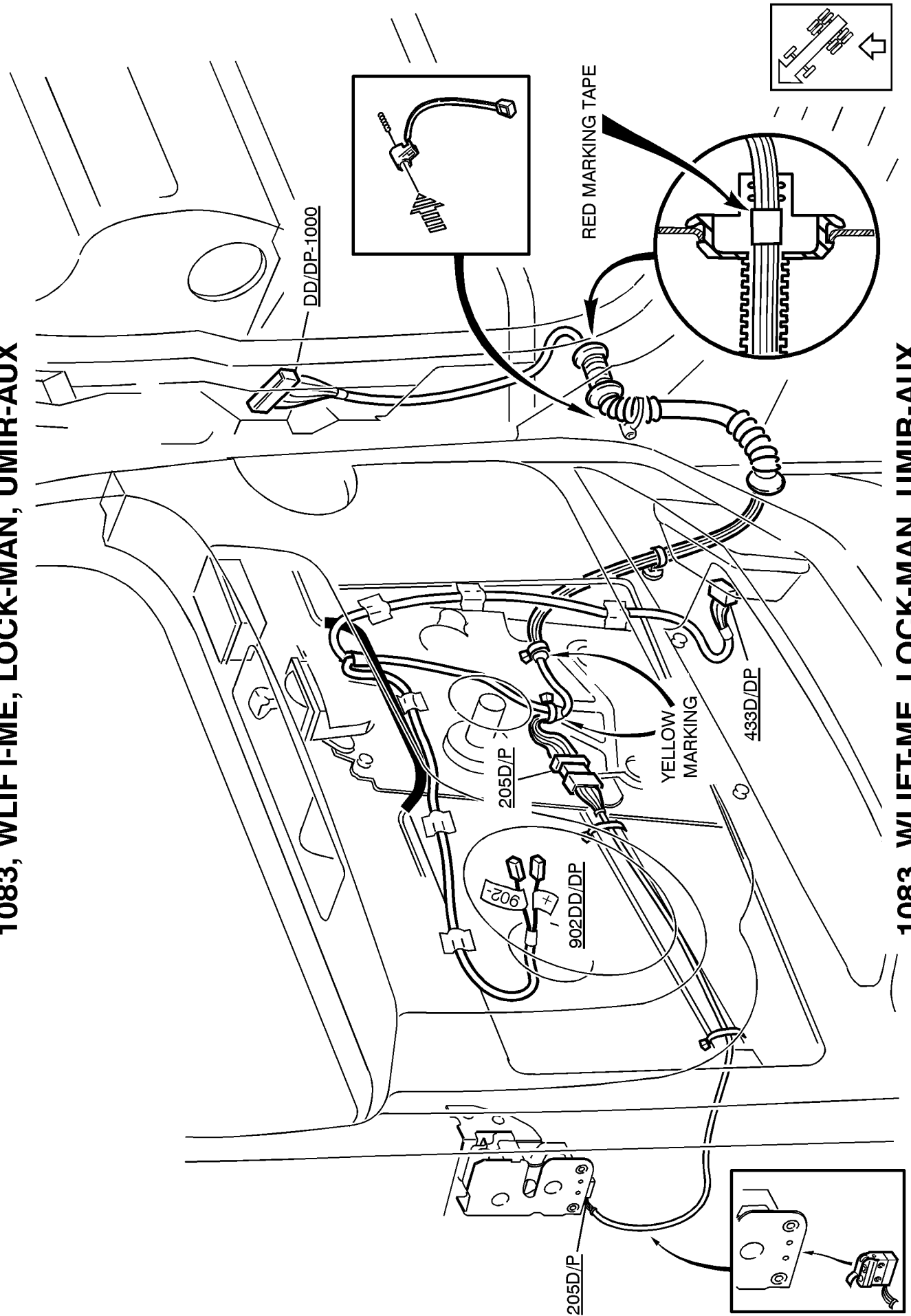
1077



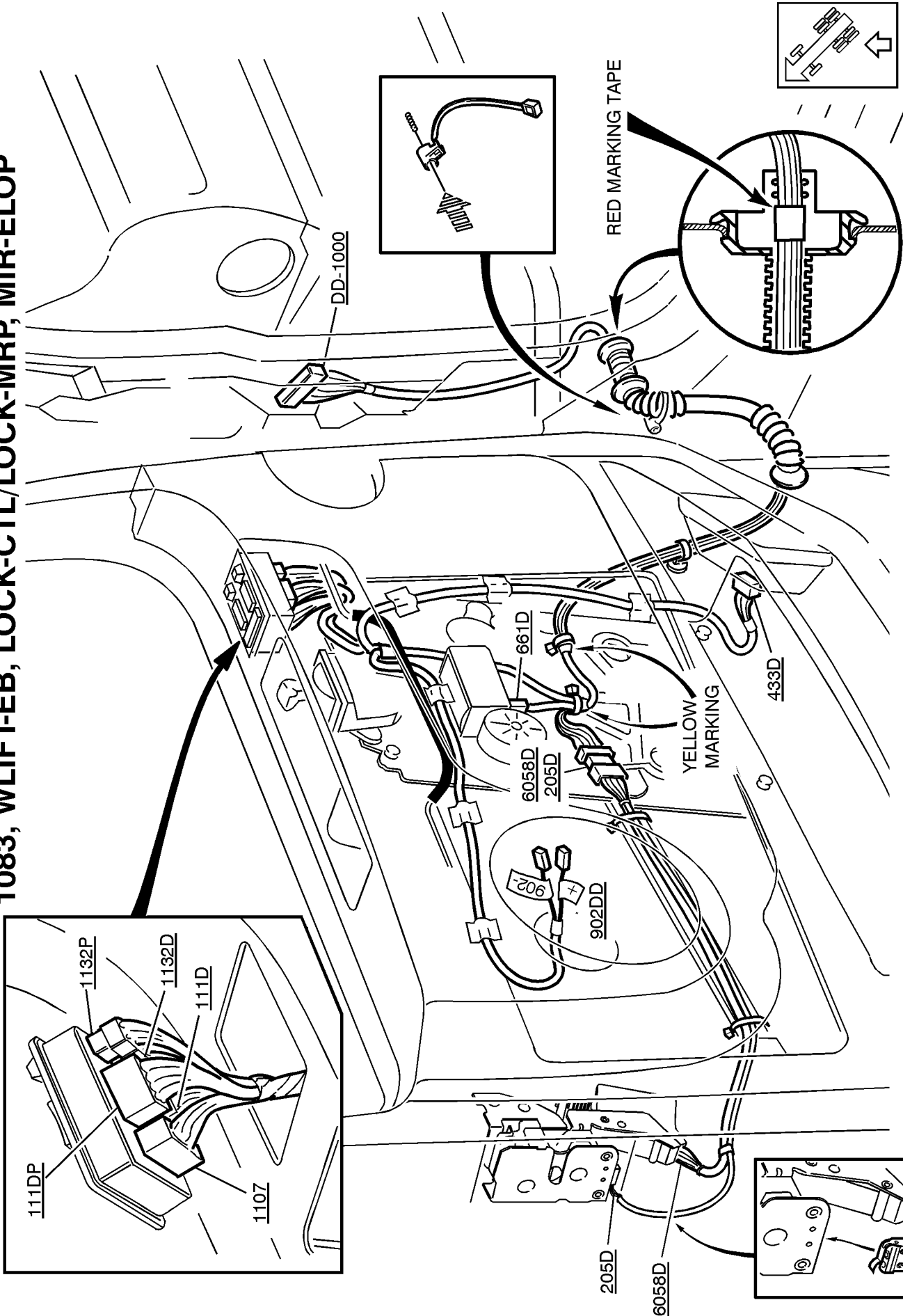
1077

1083, WLIFT-ME, LOCK-MAN, UMIR-AUX

1083, WLIFT-ME, LOCK-MAN, UMIR-AUX



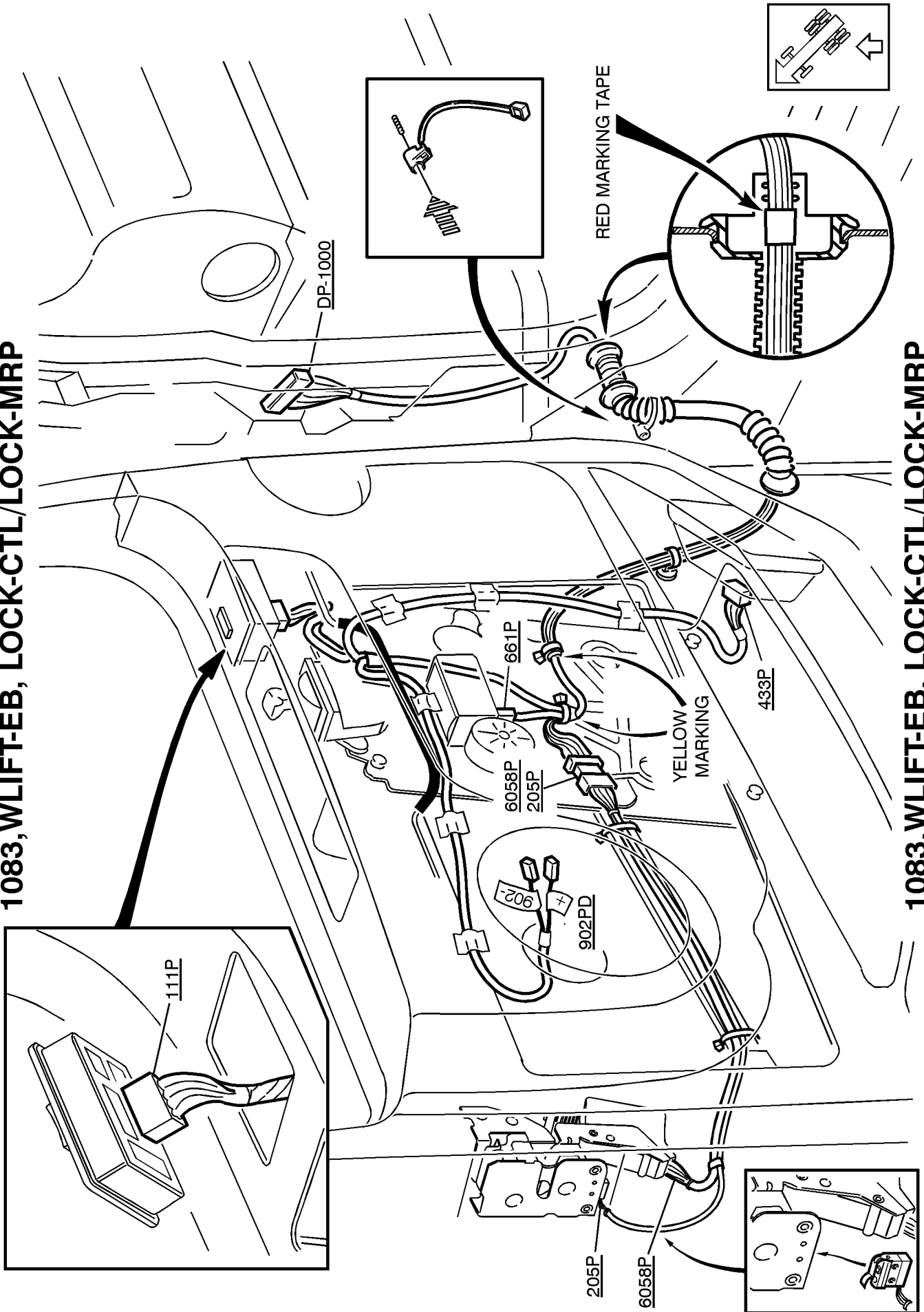
1083, WLIFT-EB, LOCK-CTL/LOCK-MRP, MIR-ELOP

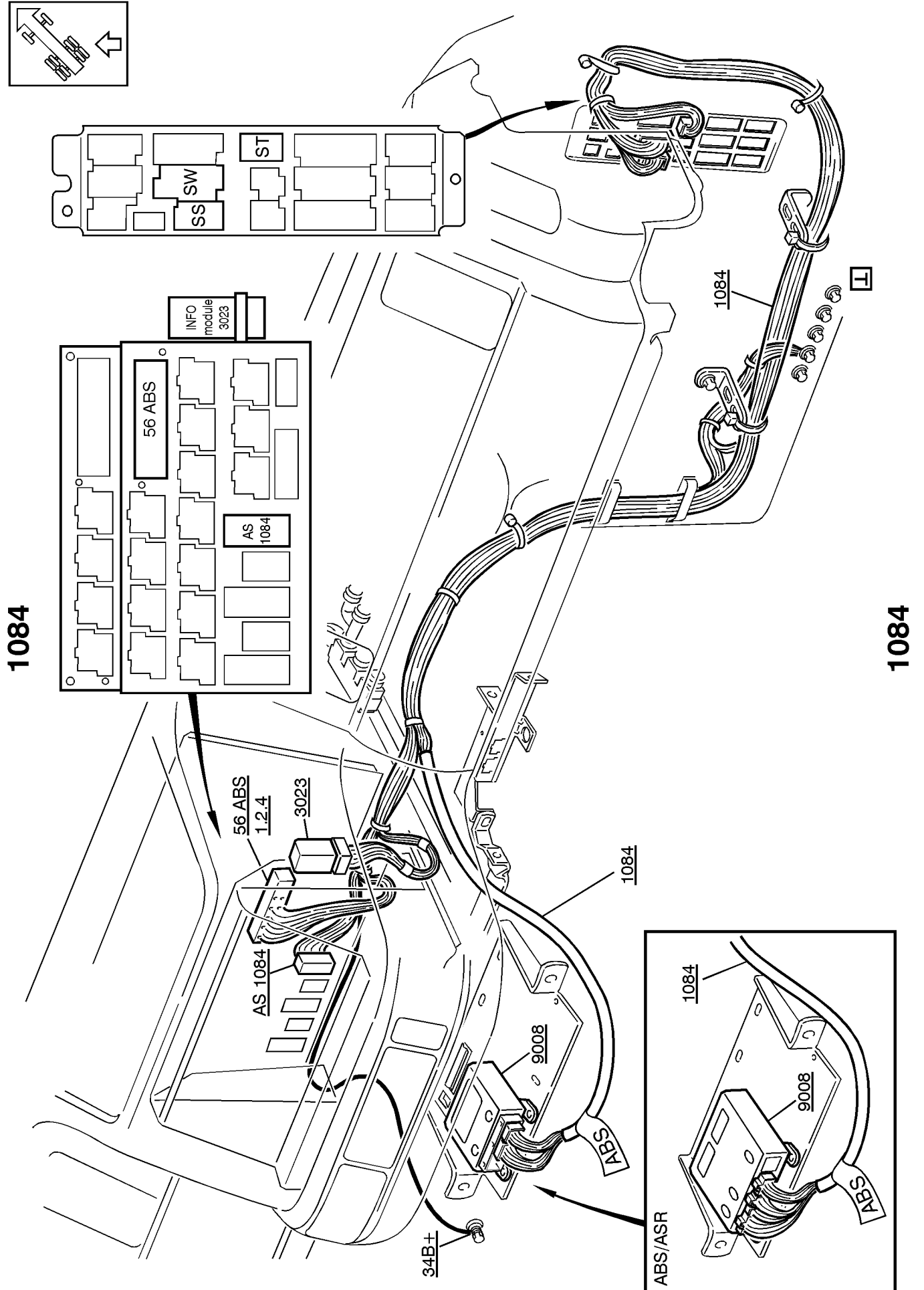


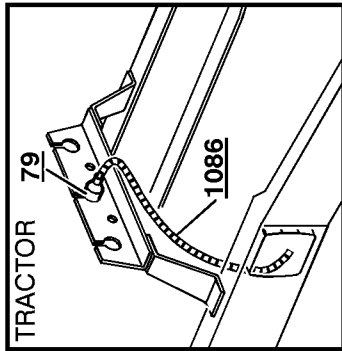
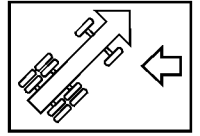
1083, WLIFT-EB, LOCK-CTL/LOCK-MRP, MIR-ELOP

1083,WLIFT-EB, LOCK-CTL/LOCK-MRP

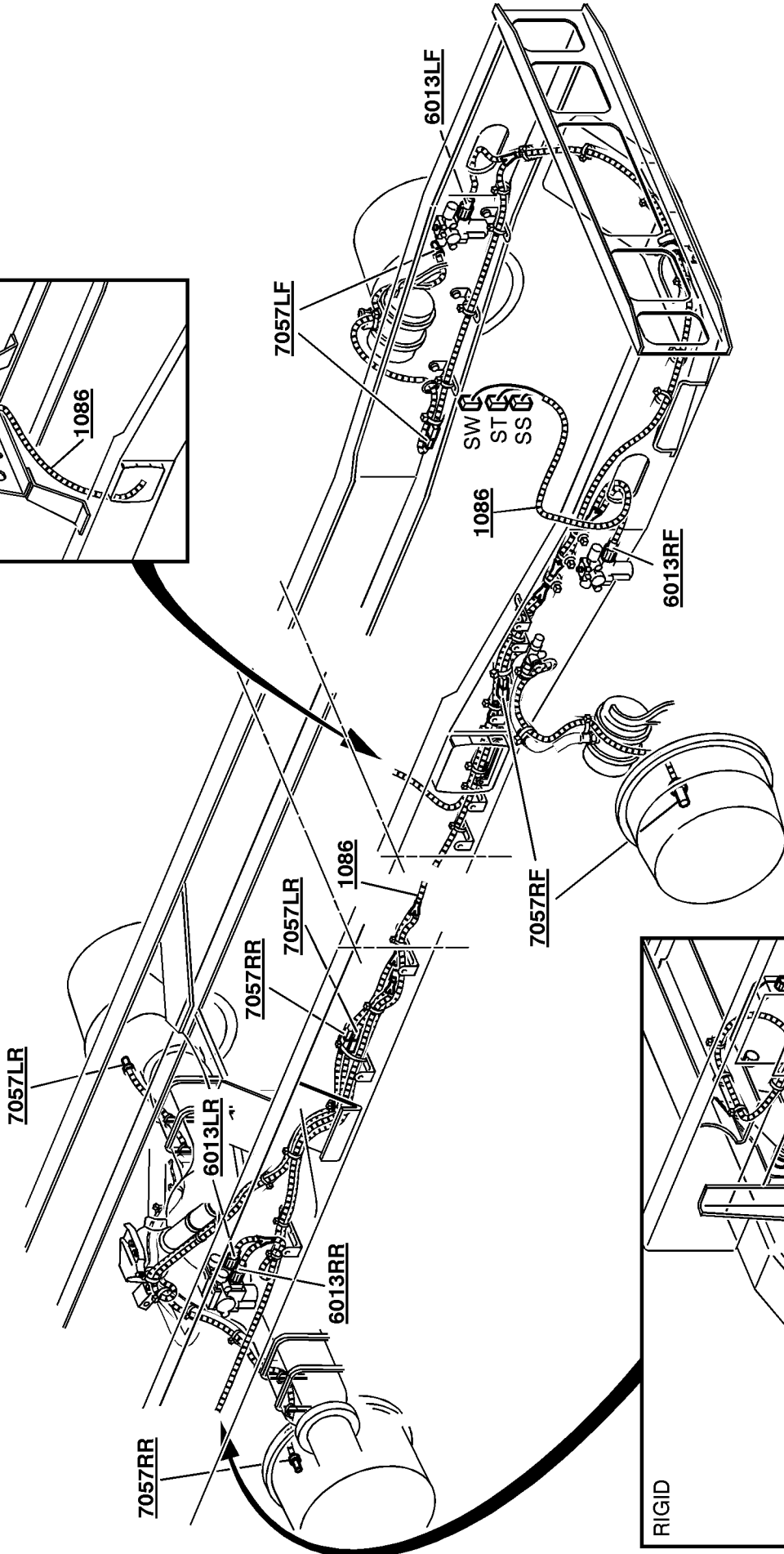
1083,WLIFT-EB, LOCK-CTL/LOCK-MRP



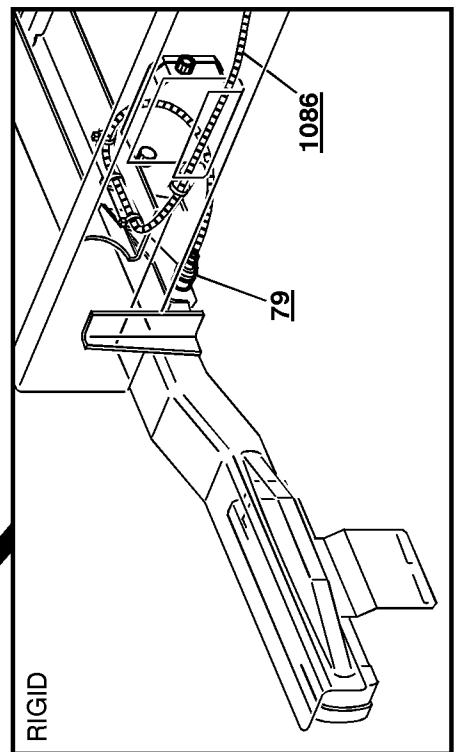


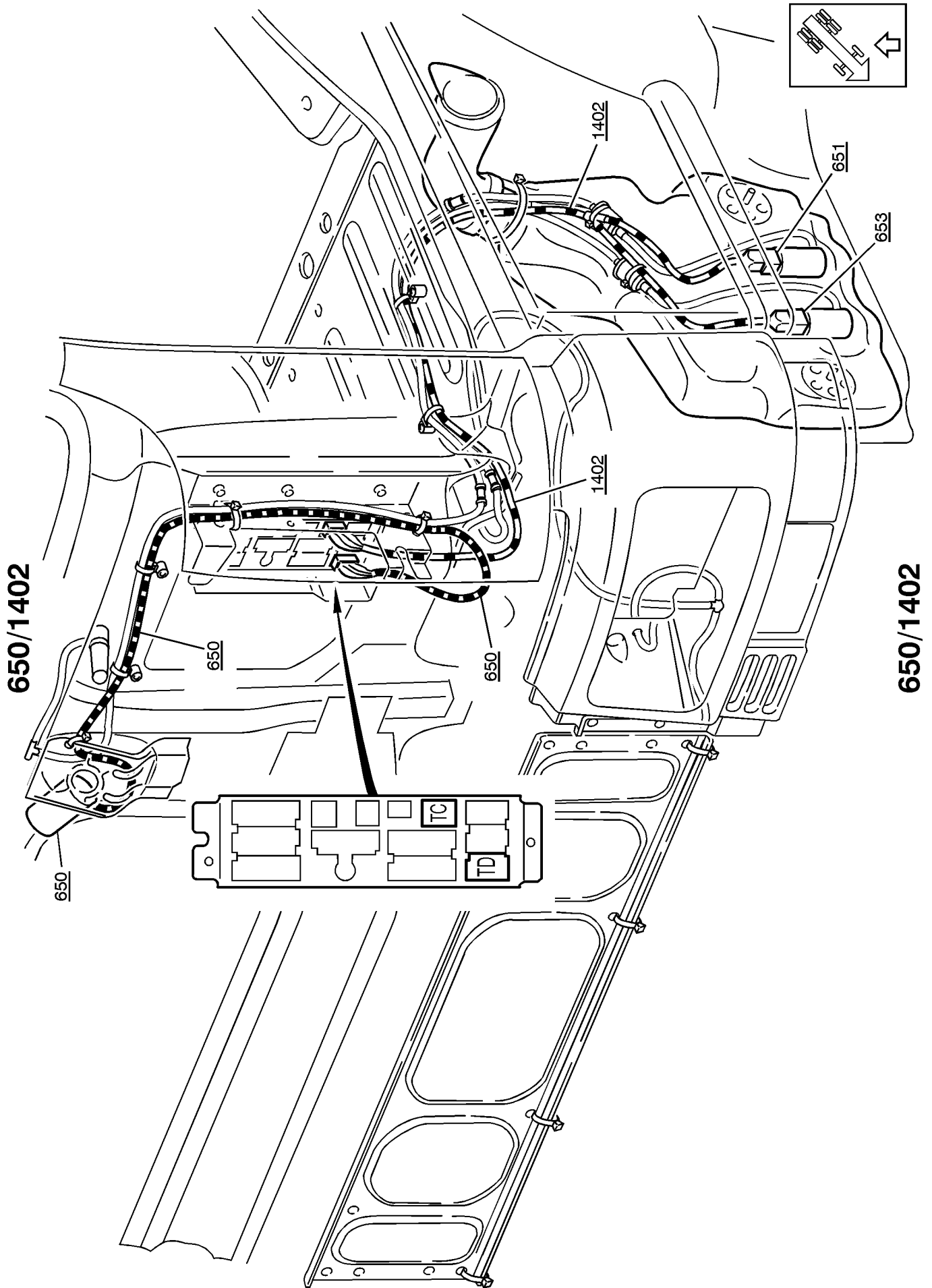


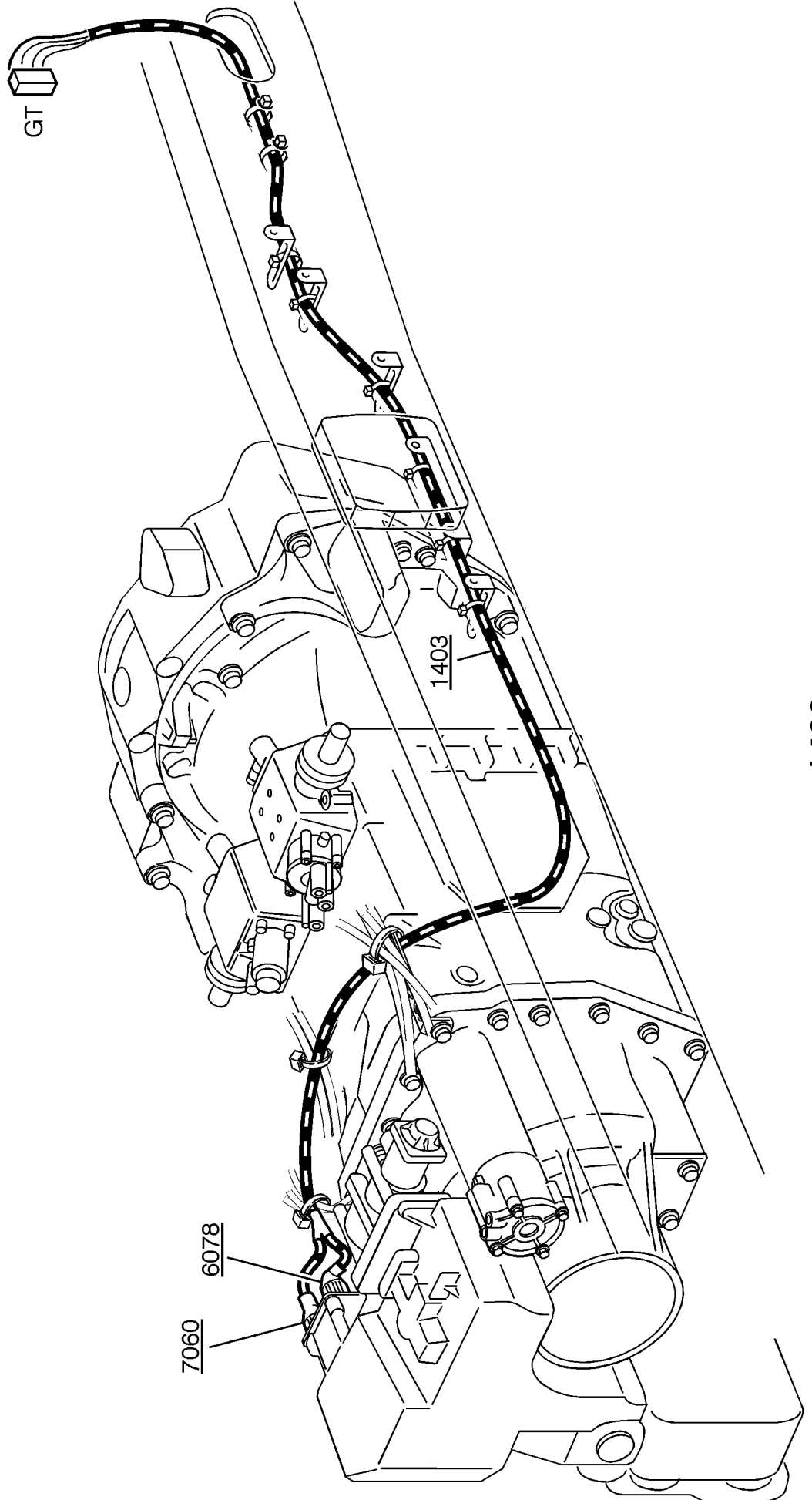
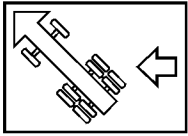
1086



1086







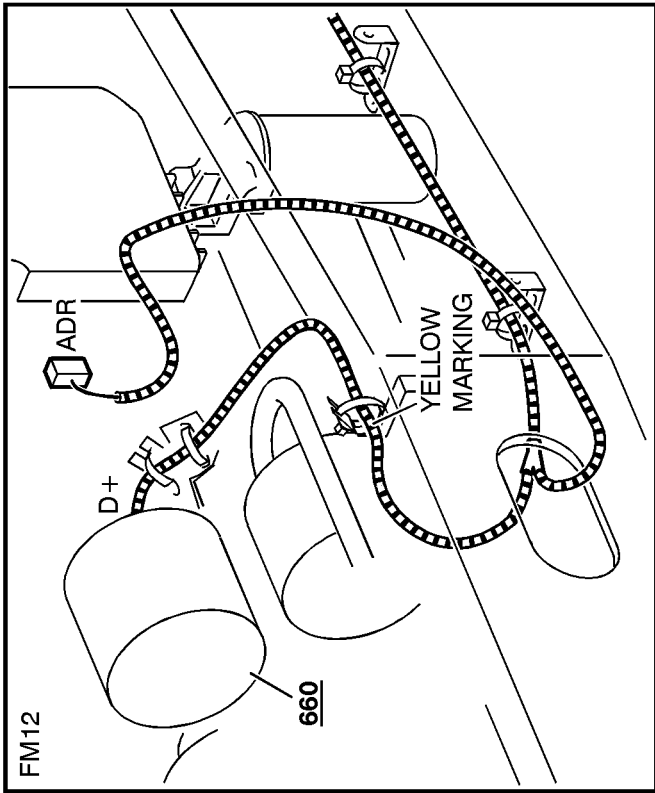
1403

1403

7060

6078

1403



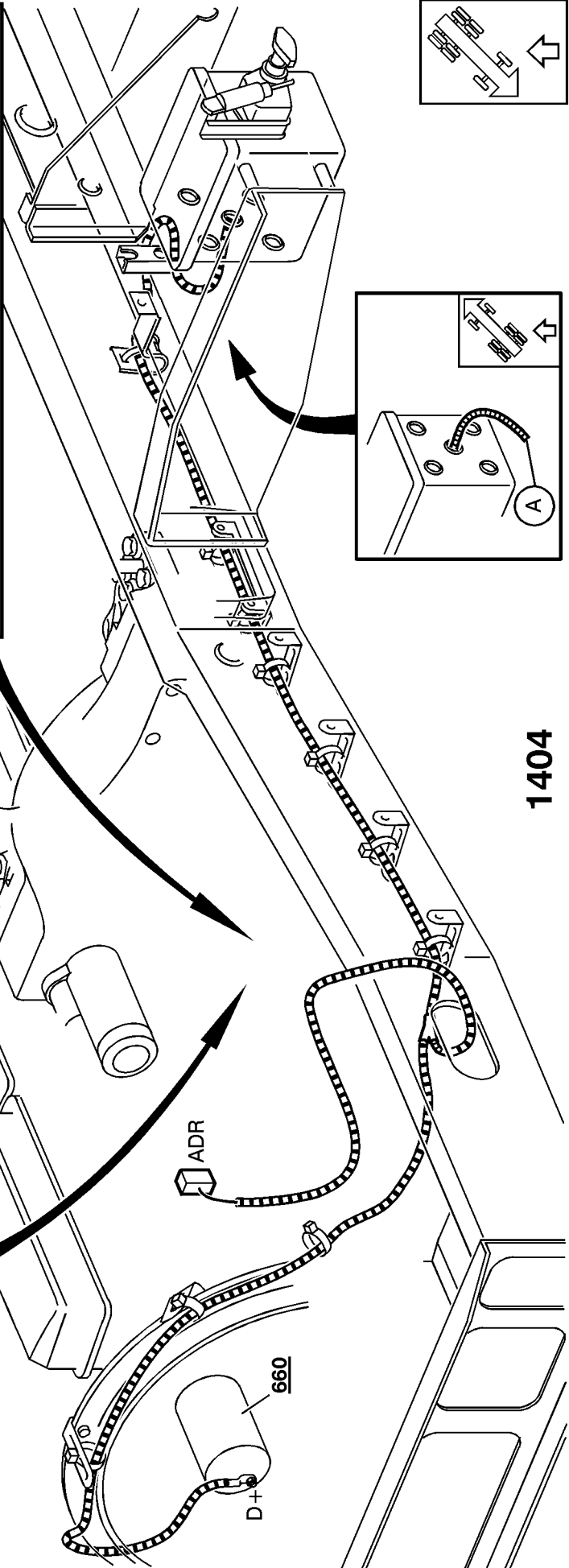
FM12

660

YELLOW MARKING

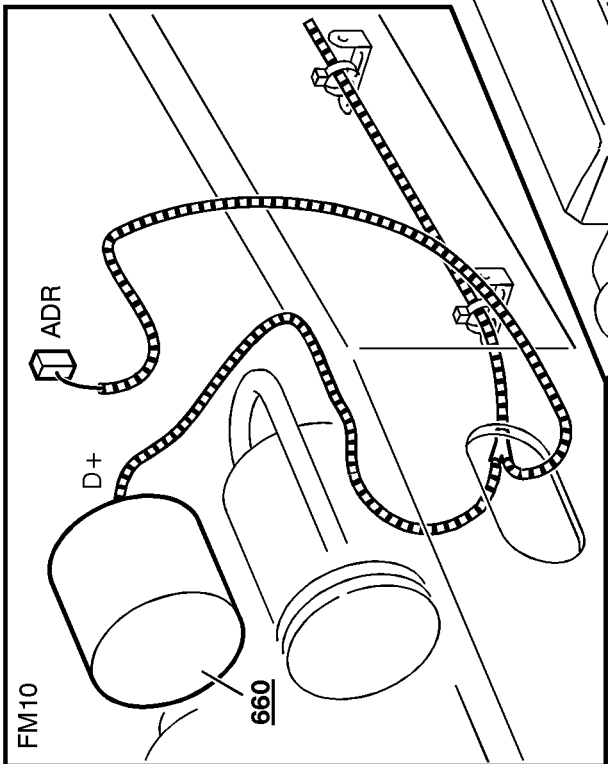
D+

ADR



1404

1404



FM10

660

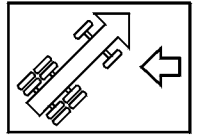
D+

ADR

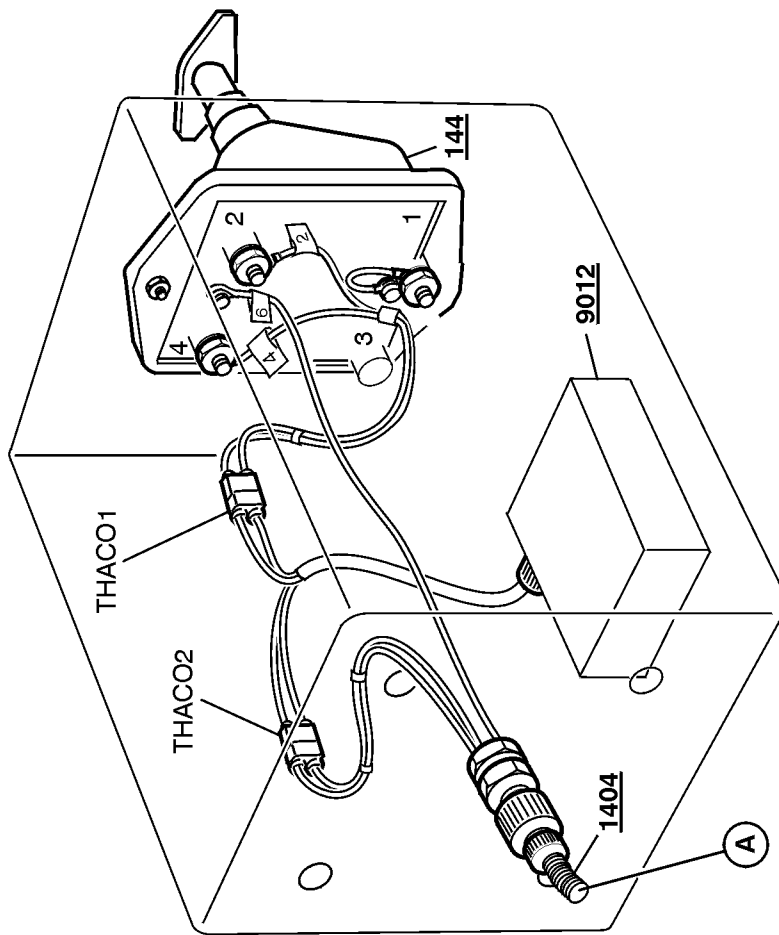
660

D+

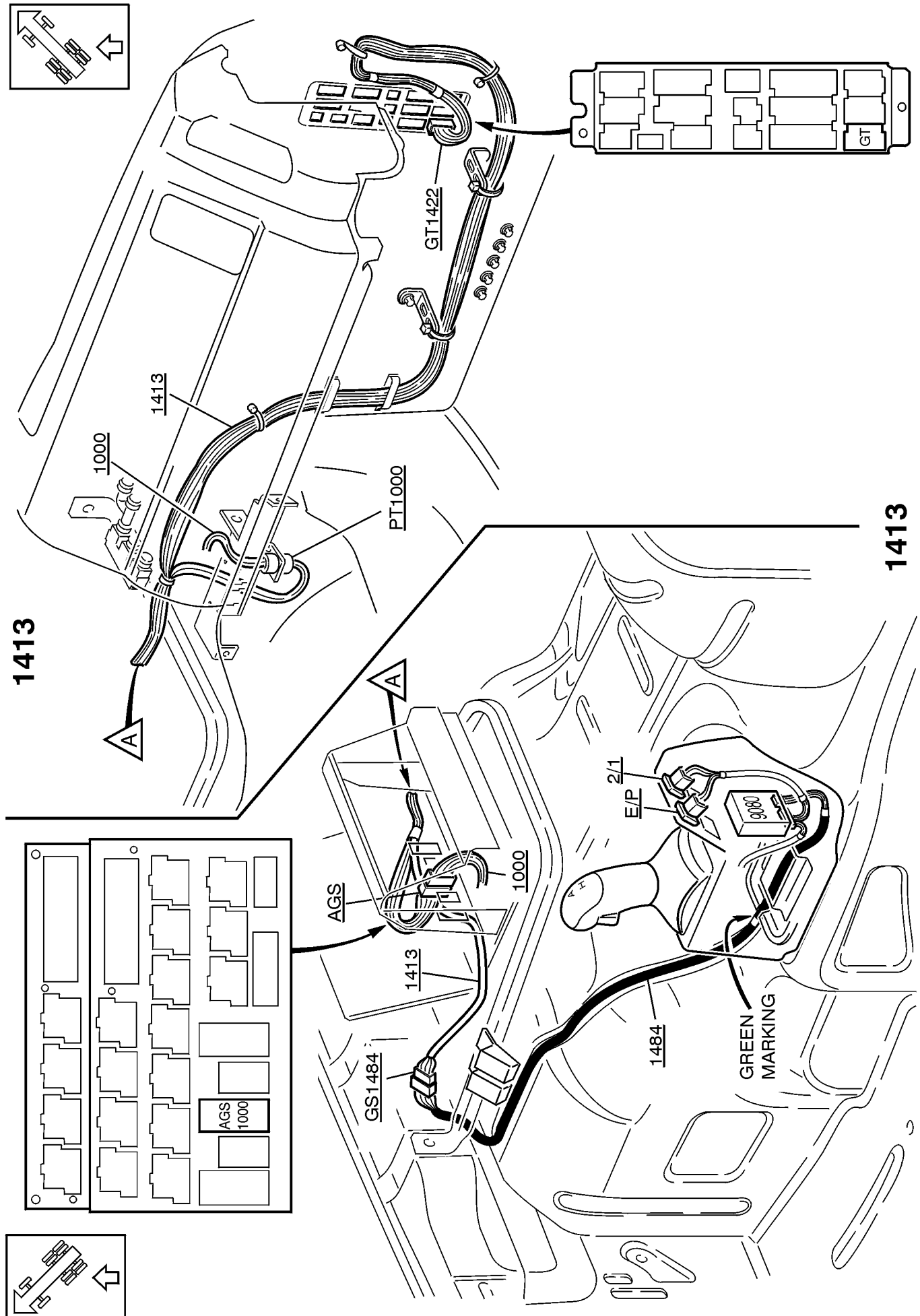
ADR

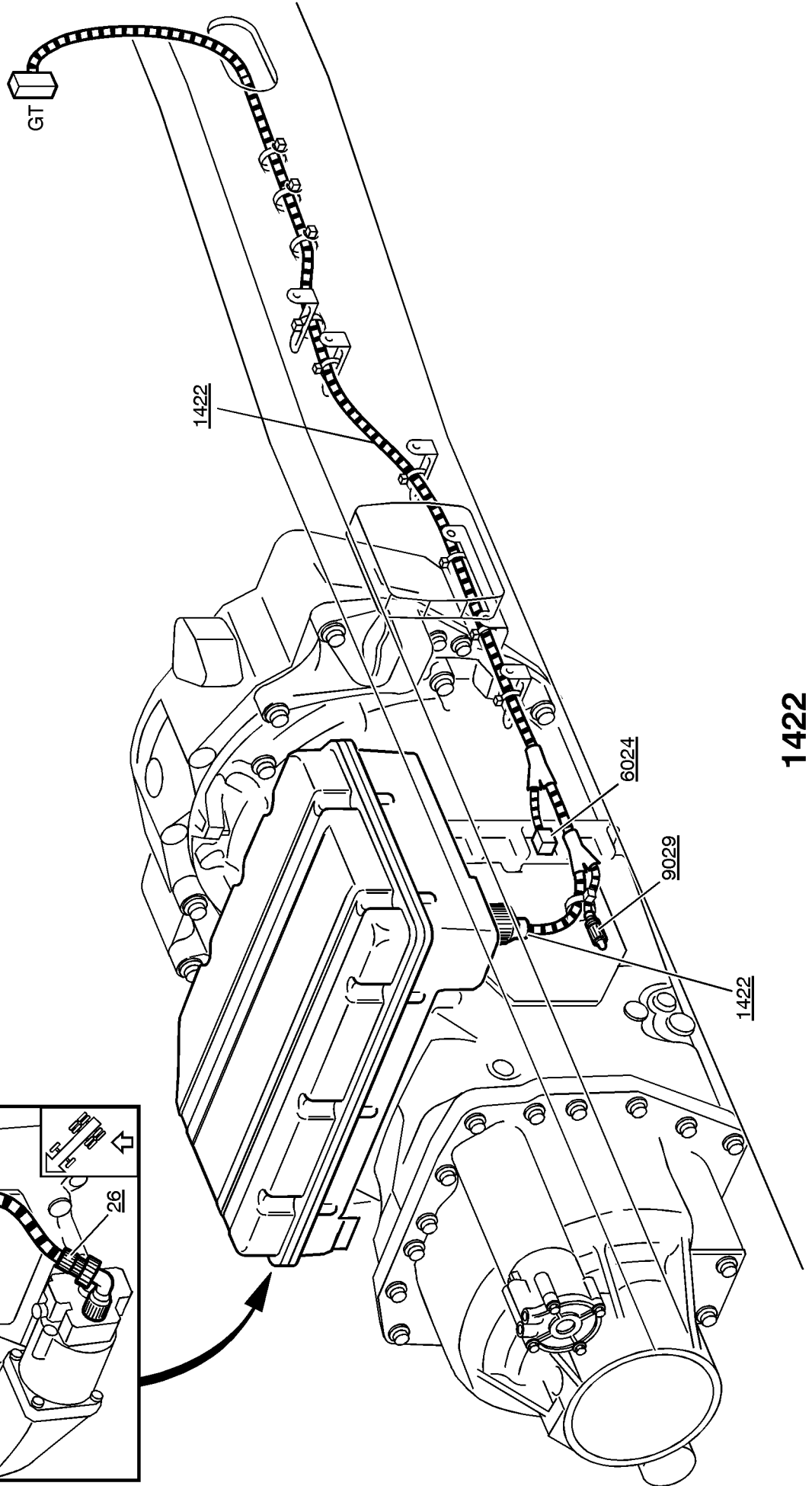
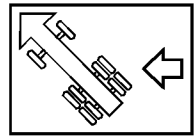


1404



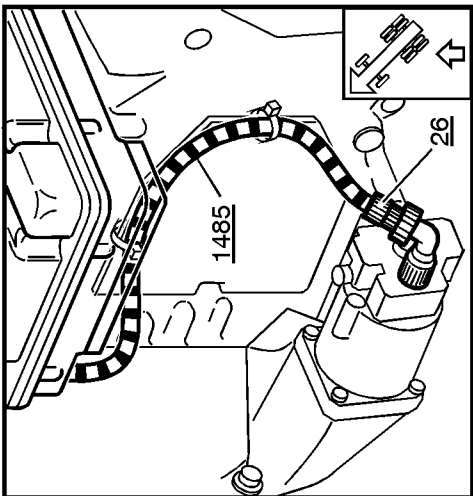
1404





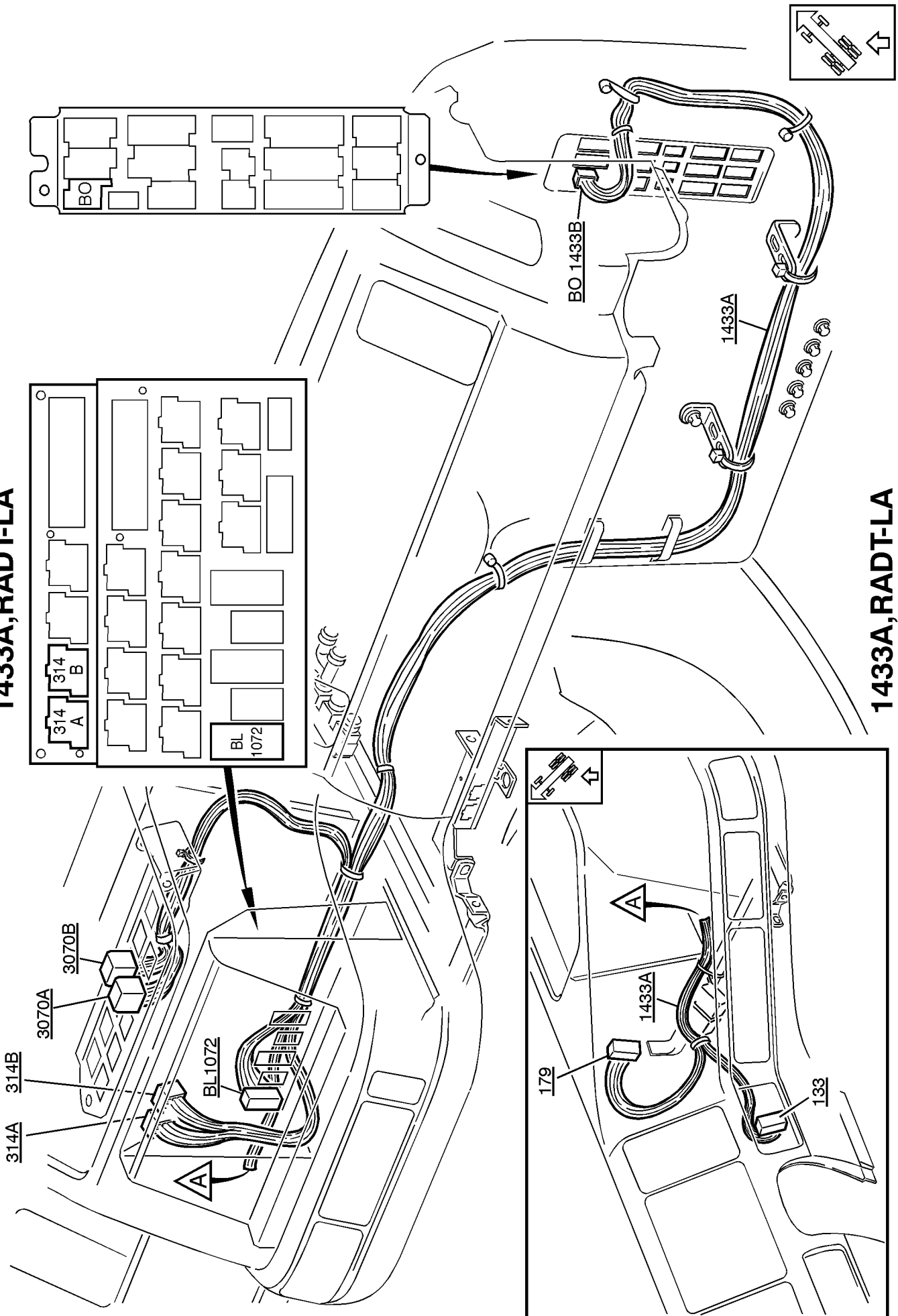
1422

1422

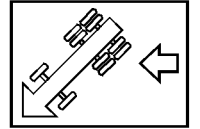
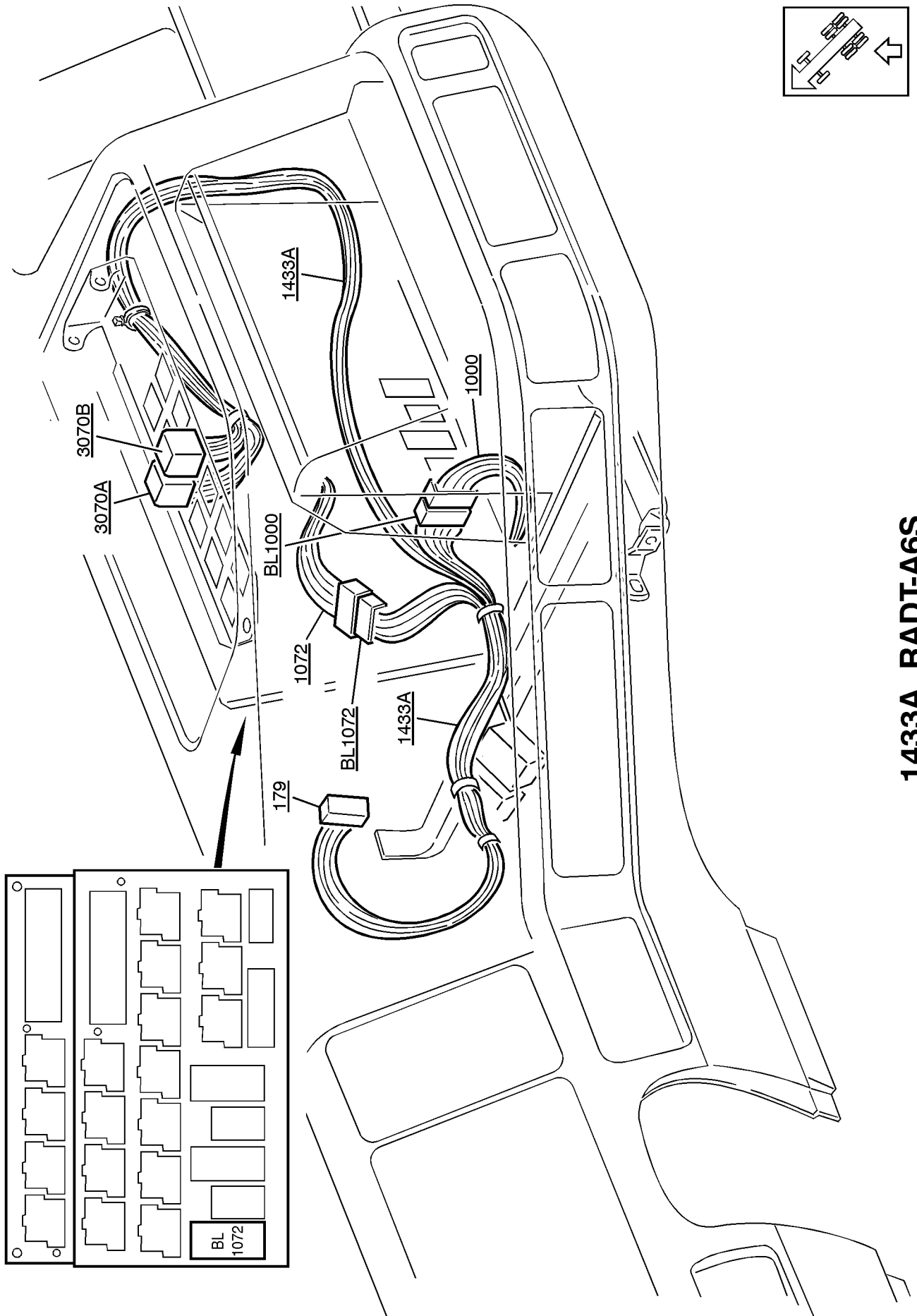


1433A, RADT-LA

1433A, RADT-LA

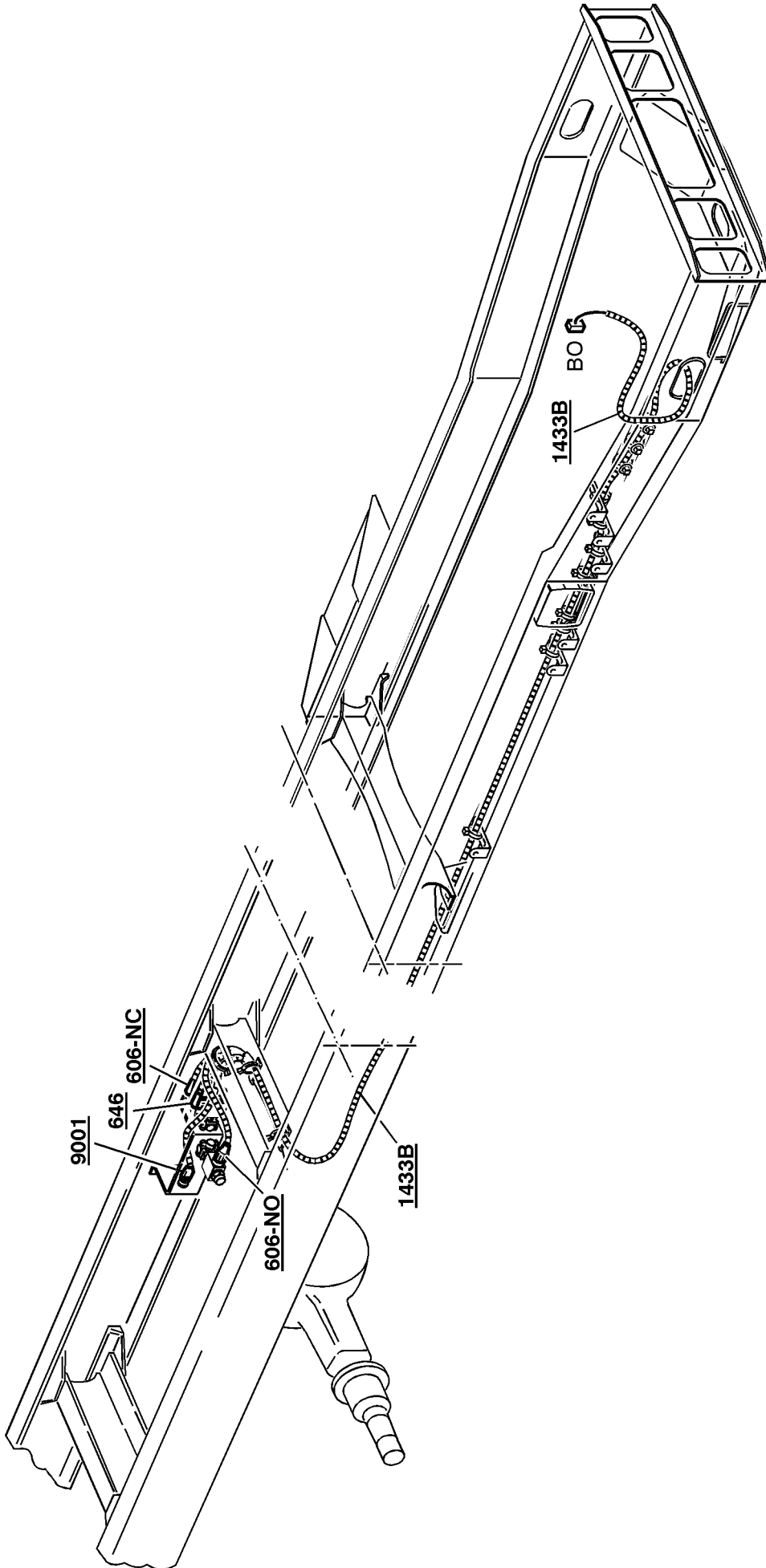


1433A, RADT-A6S

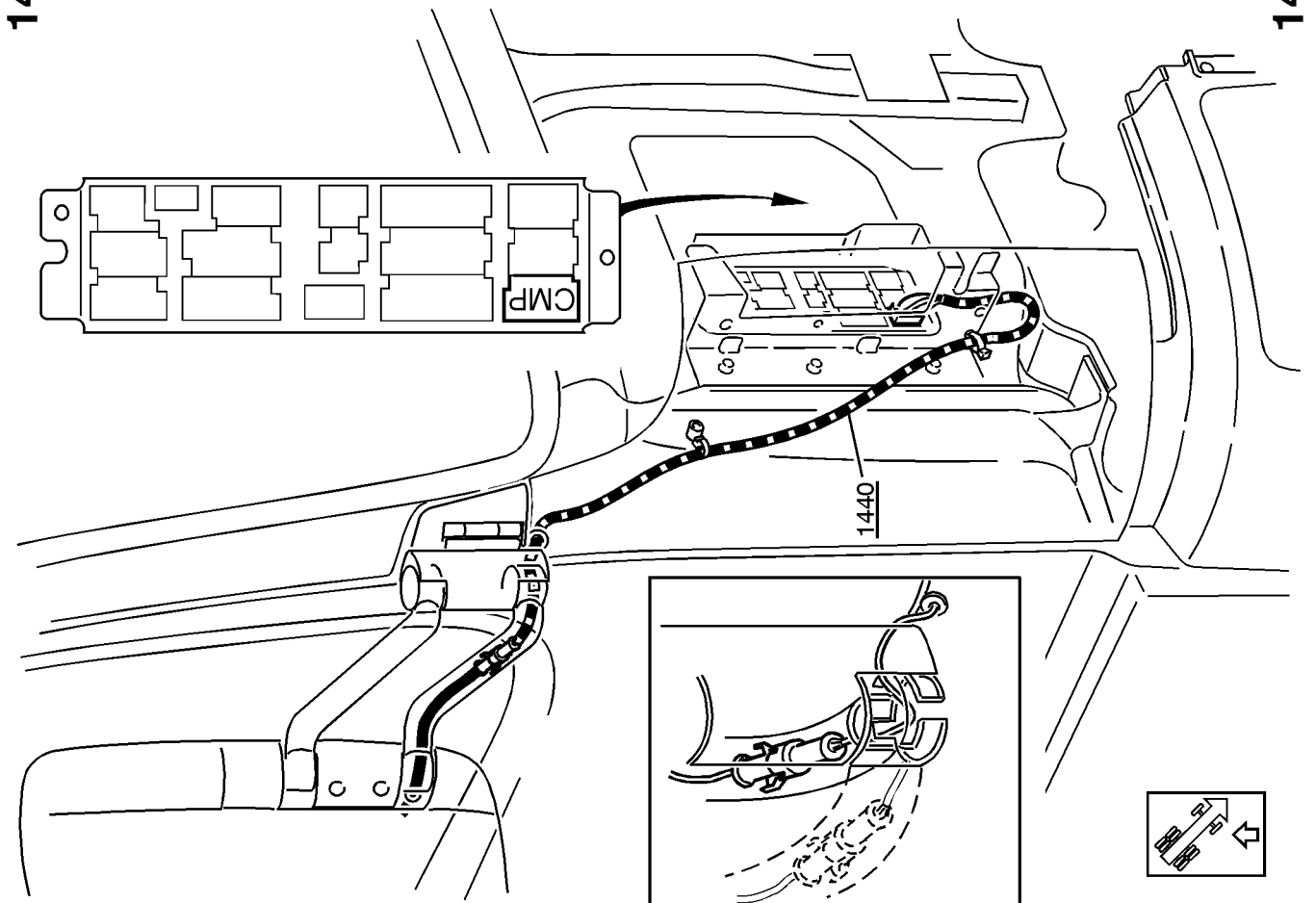
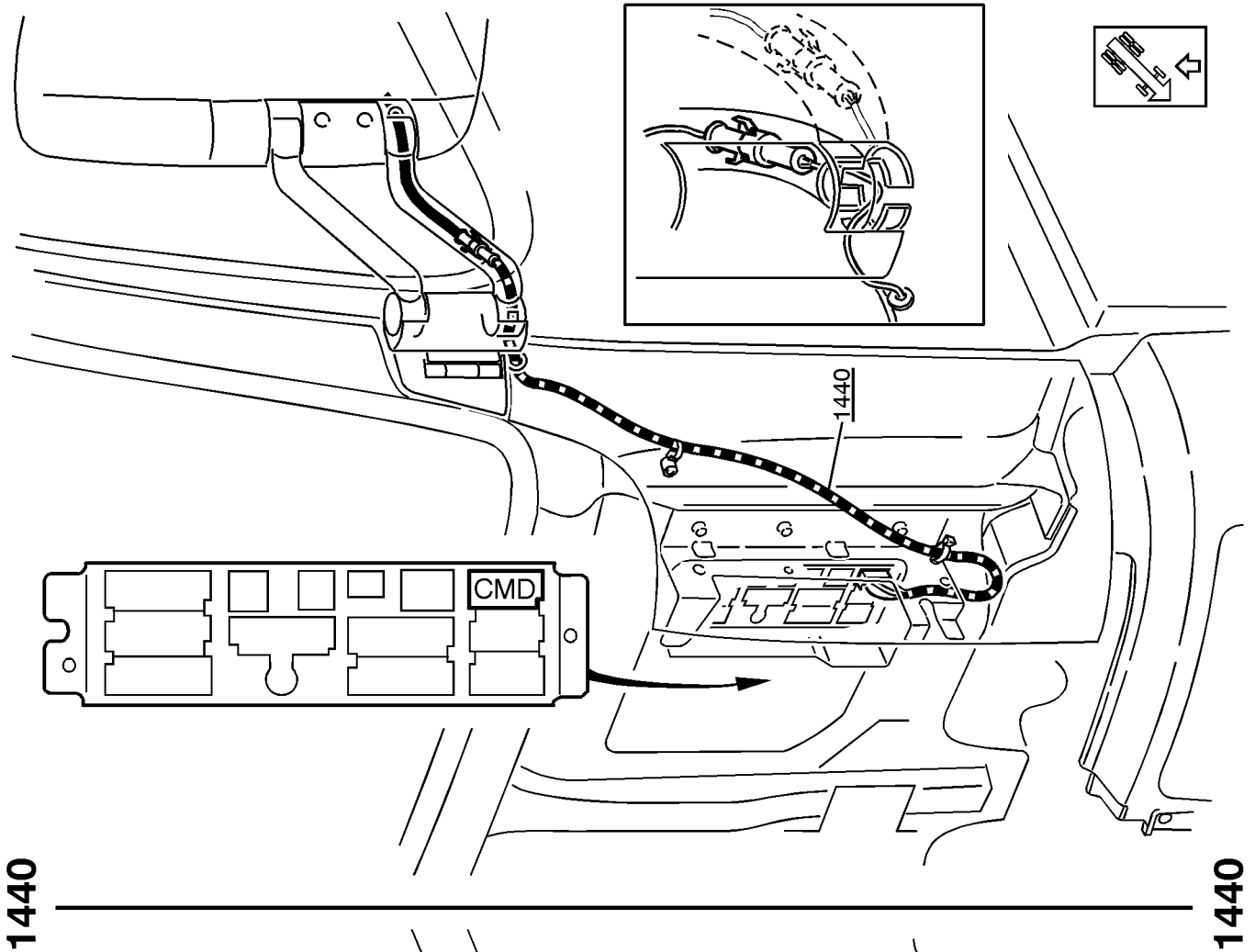


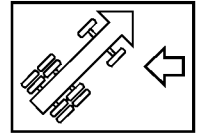
1433A, RADT-A6S

1433B



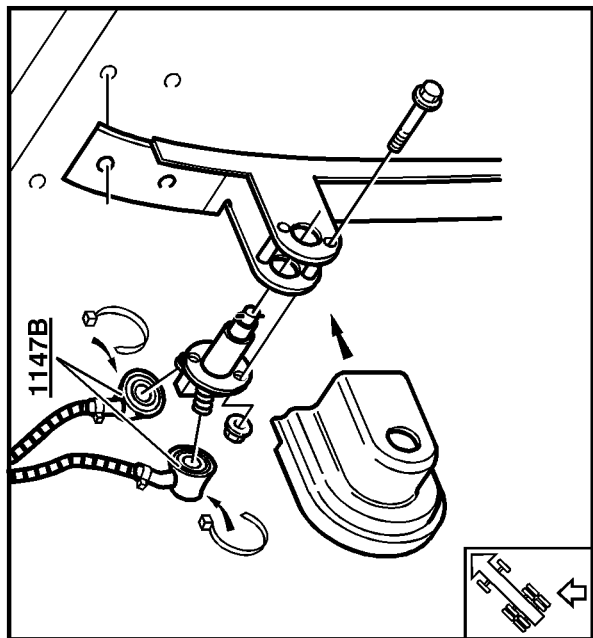
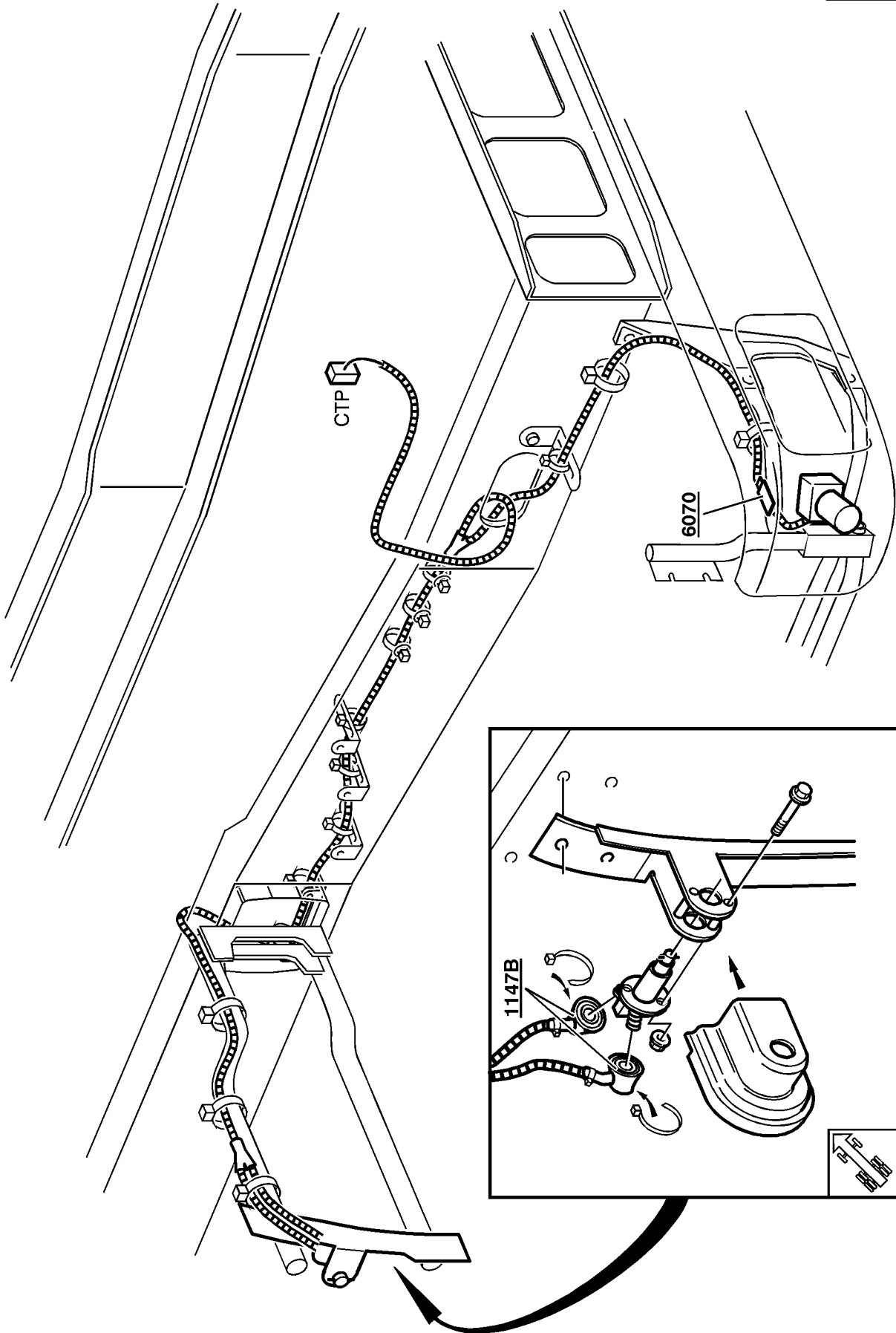
1433B

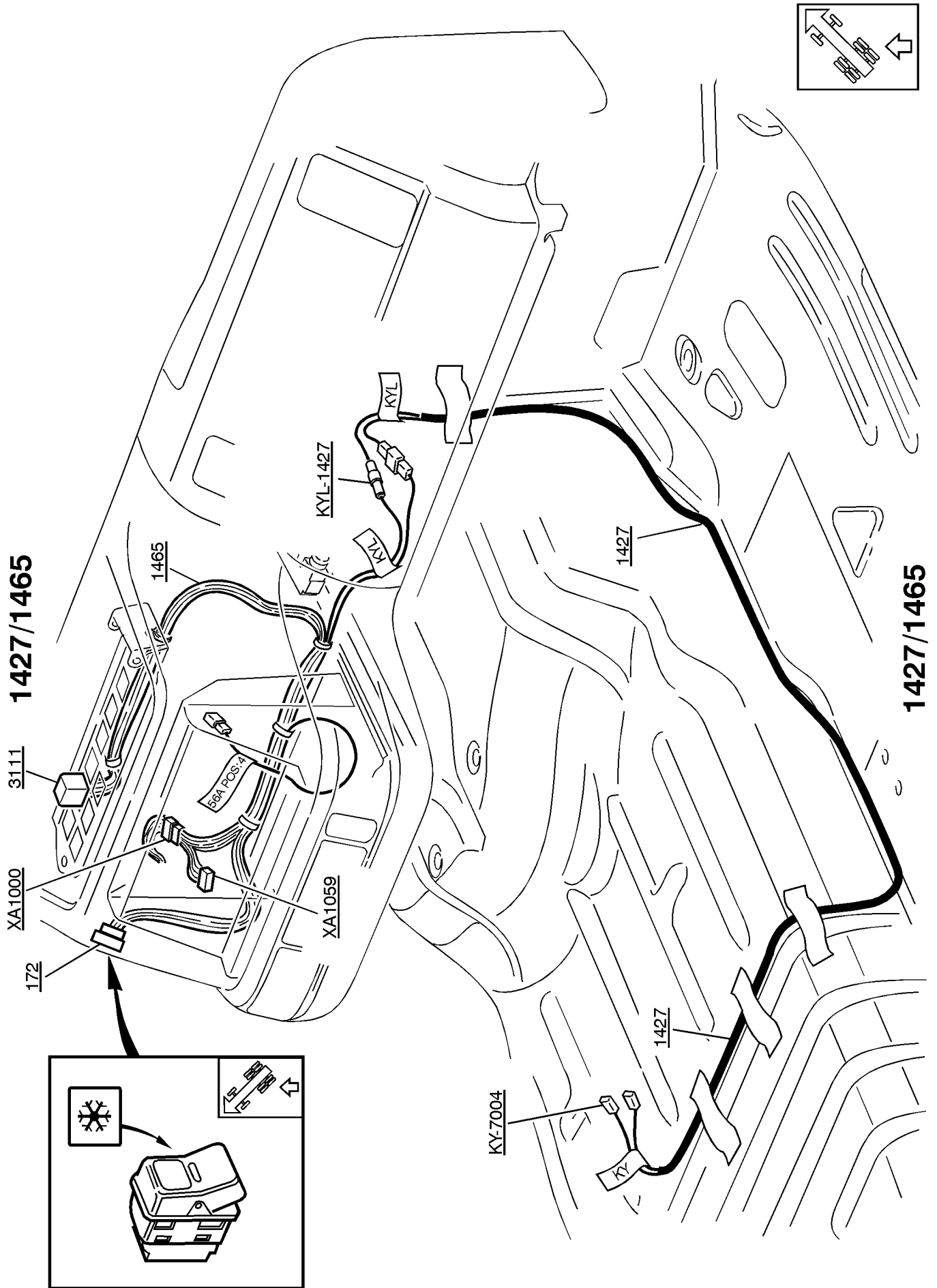


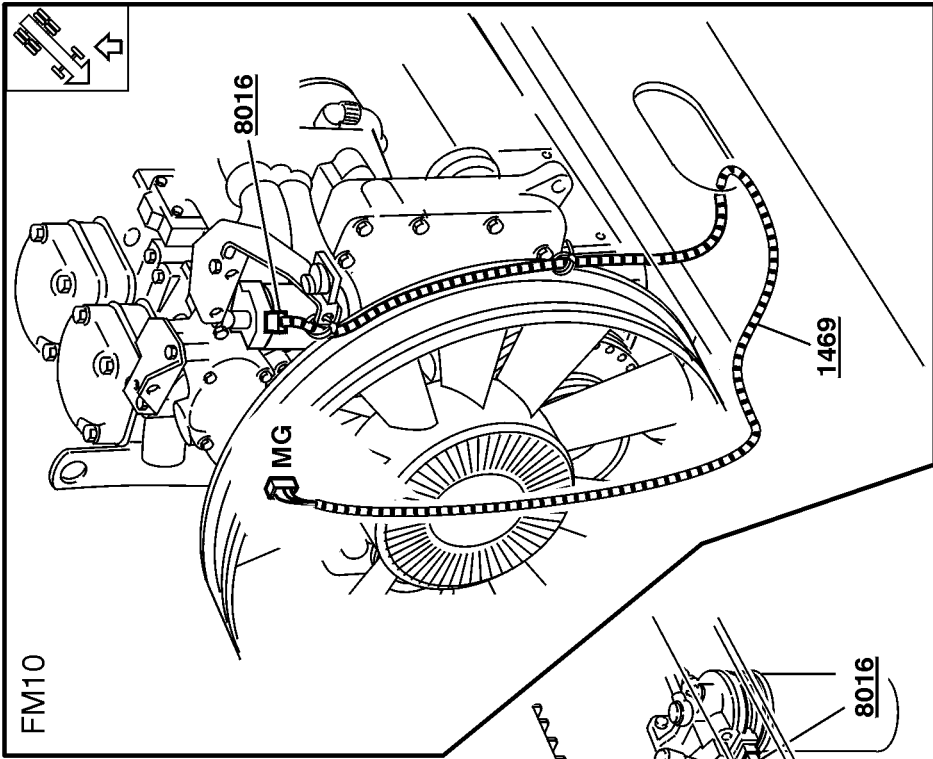


1454

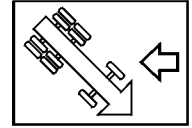
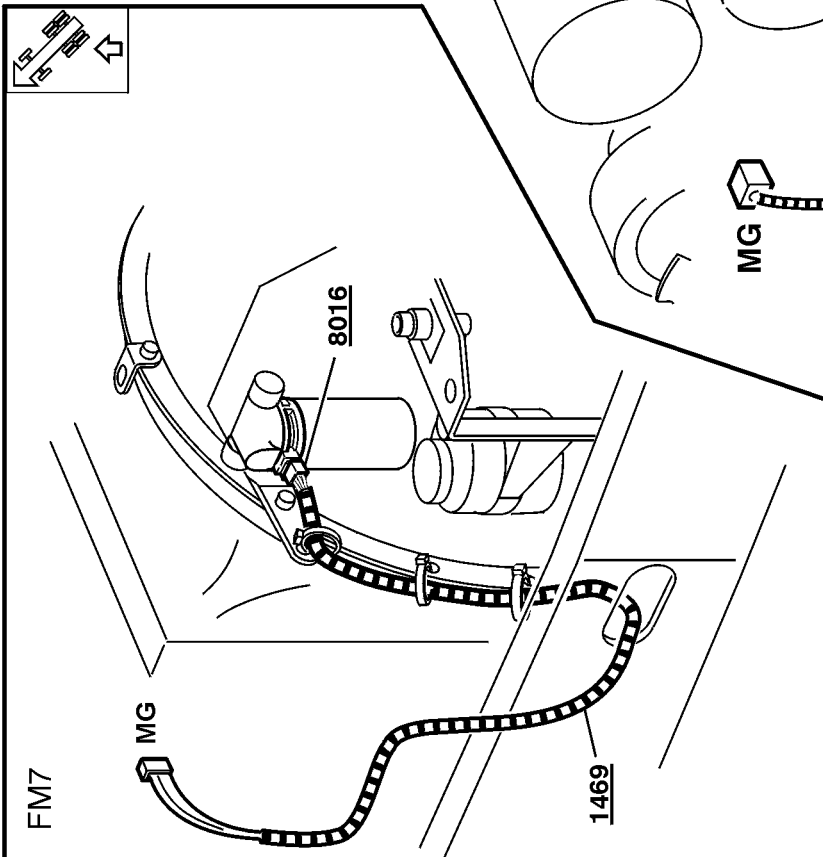
1454







1469



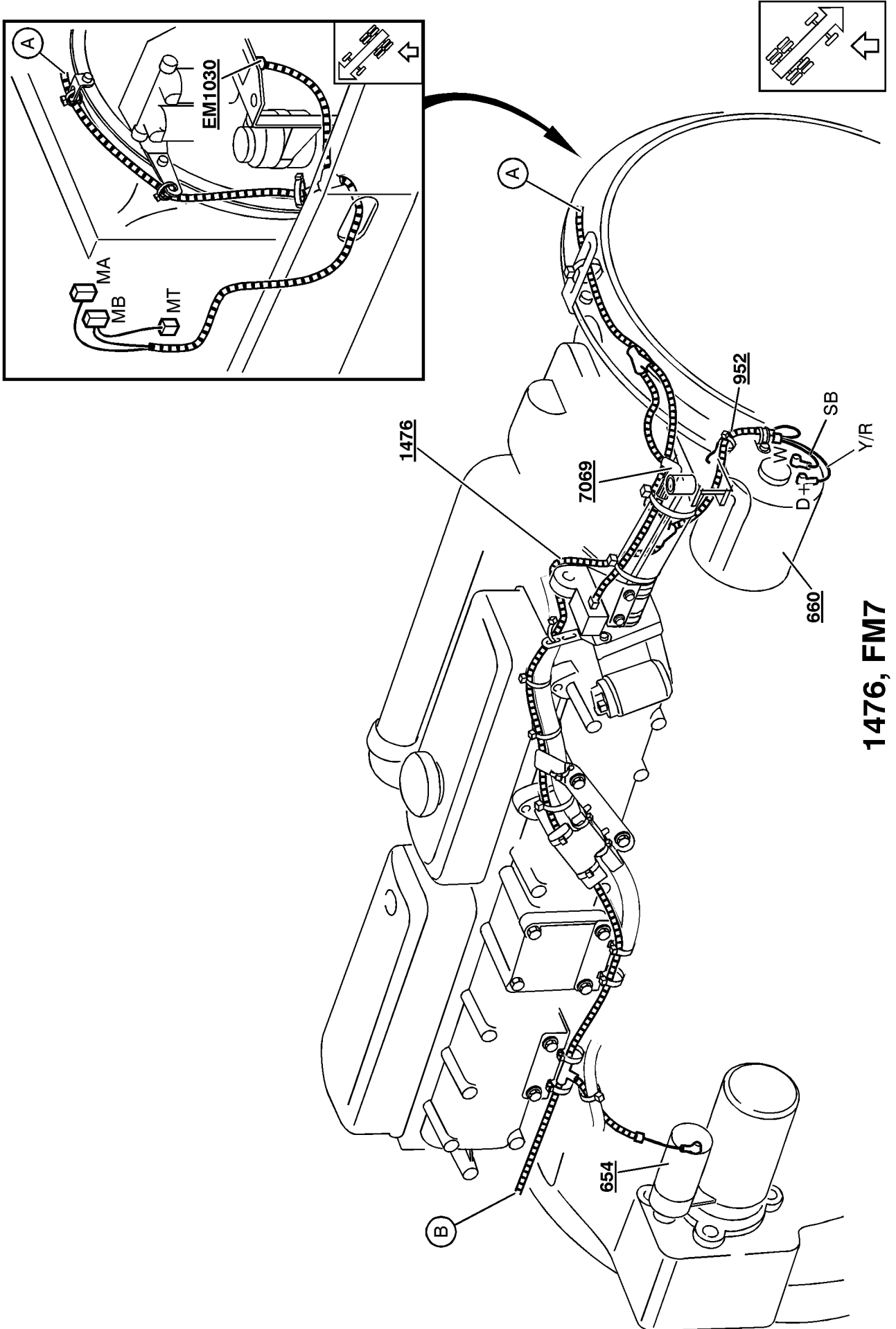
1469

MG

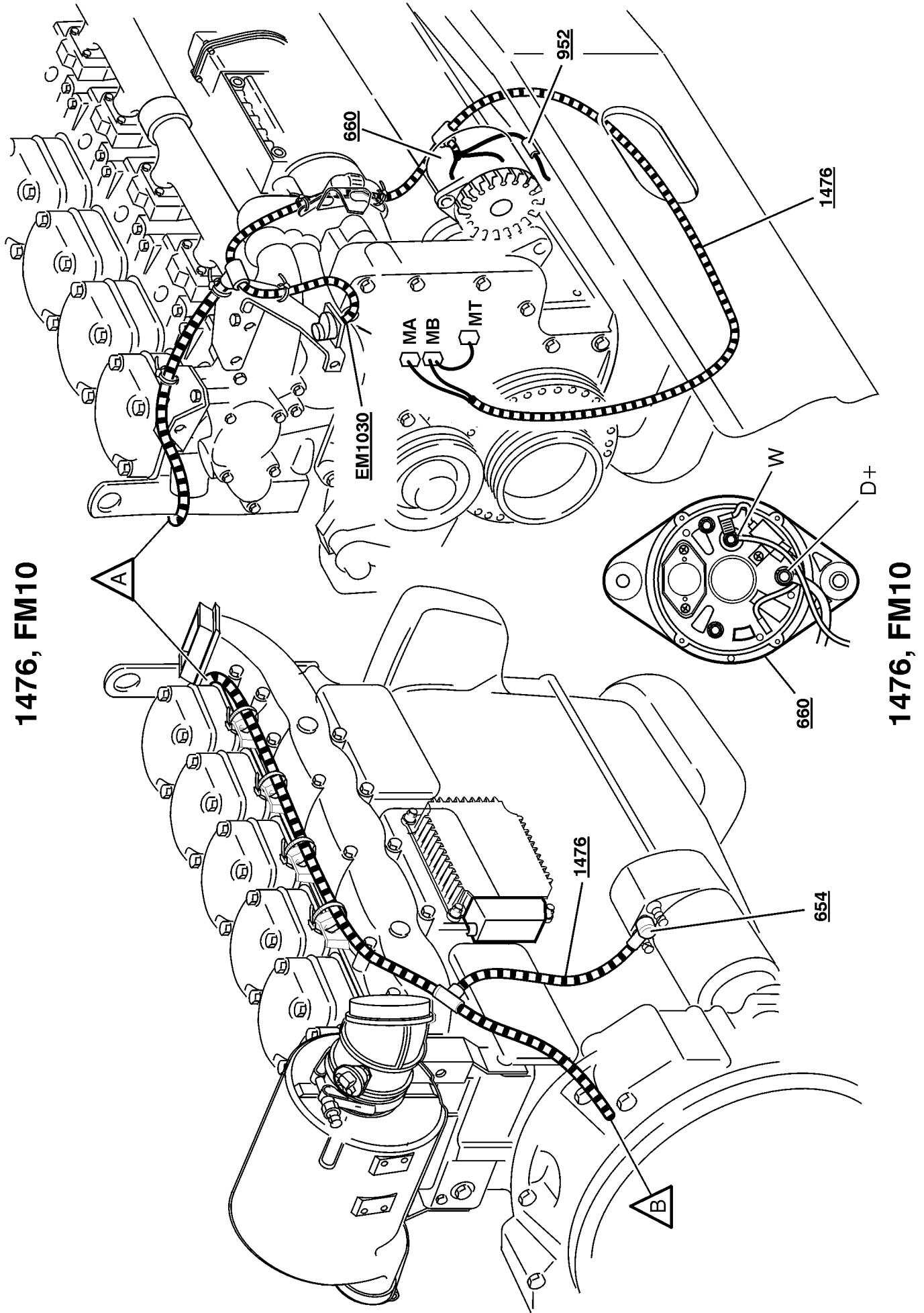
1469

8016

1476, FM7

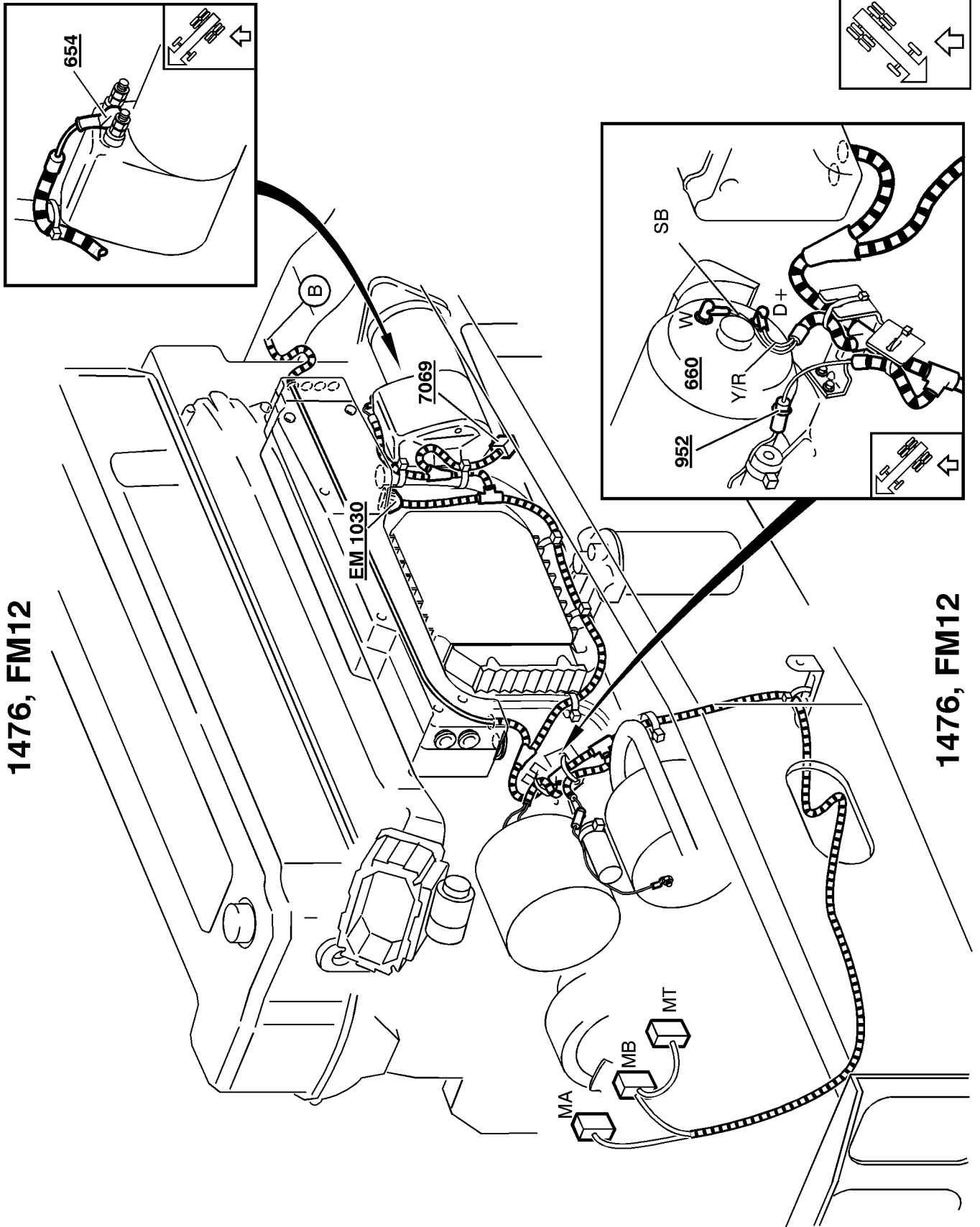


1476, FM7



1476, FM10

1476, FM10

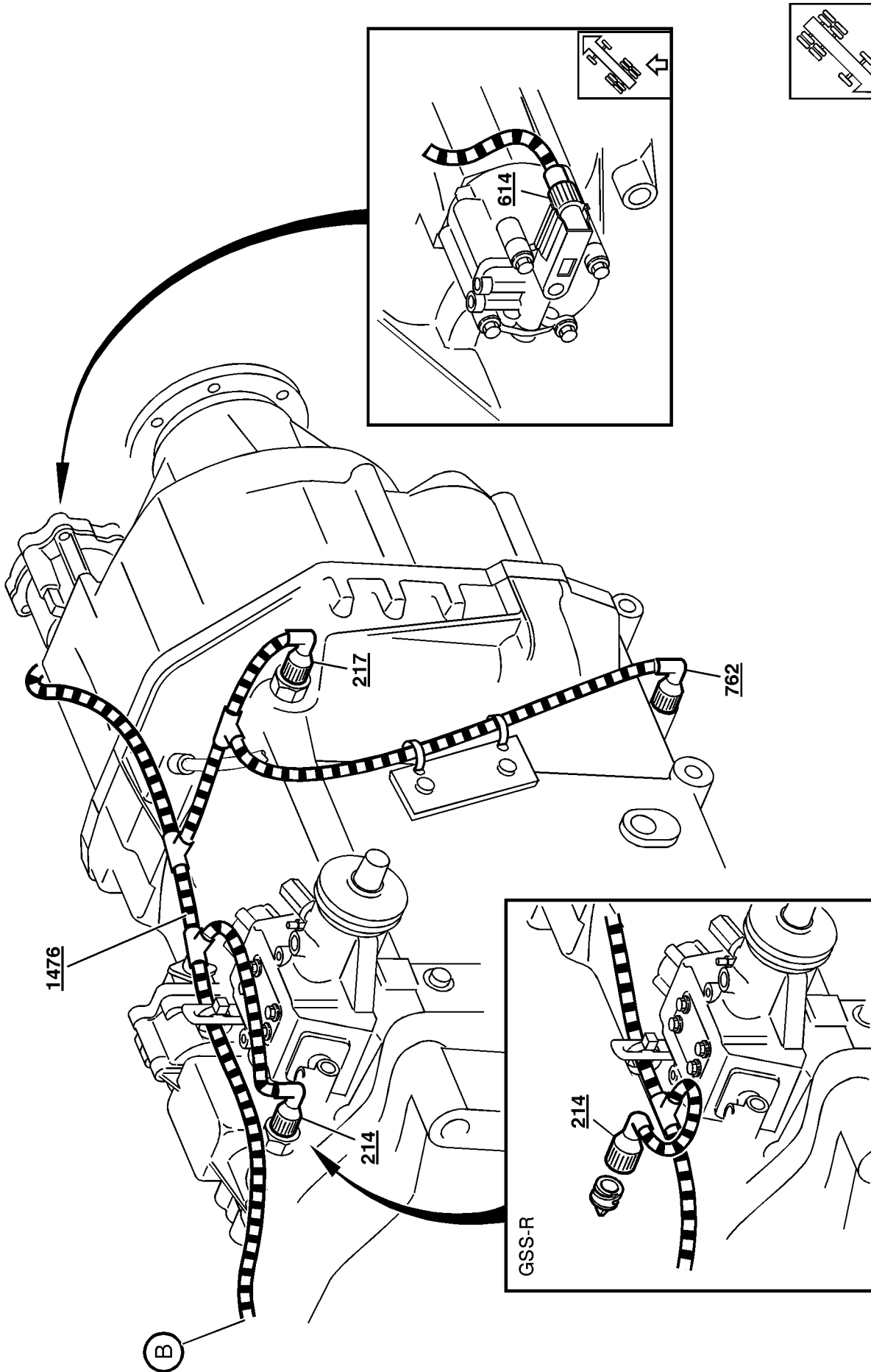


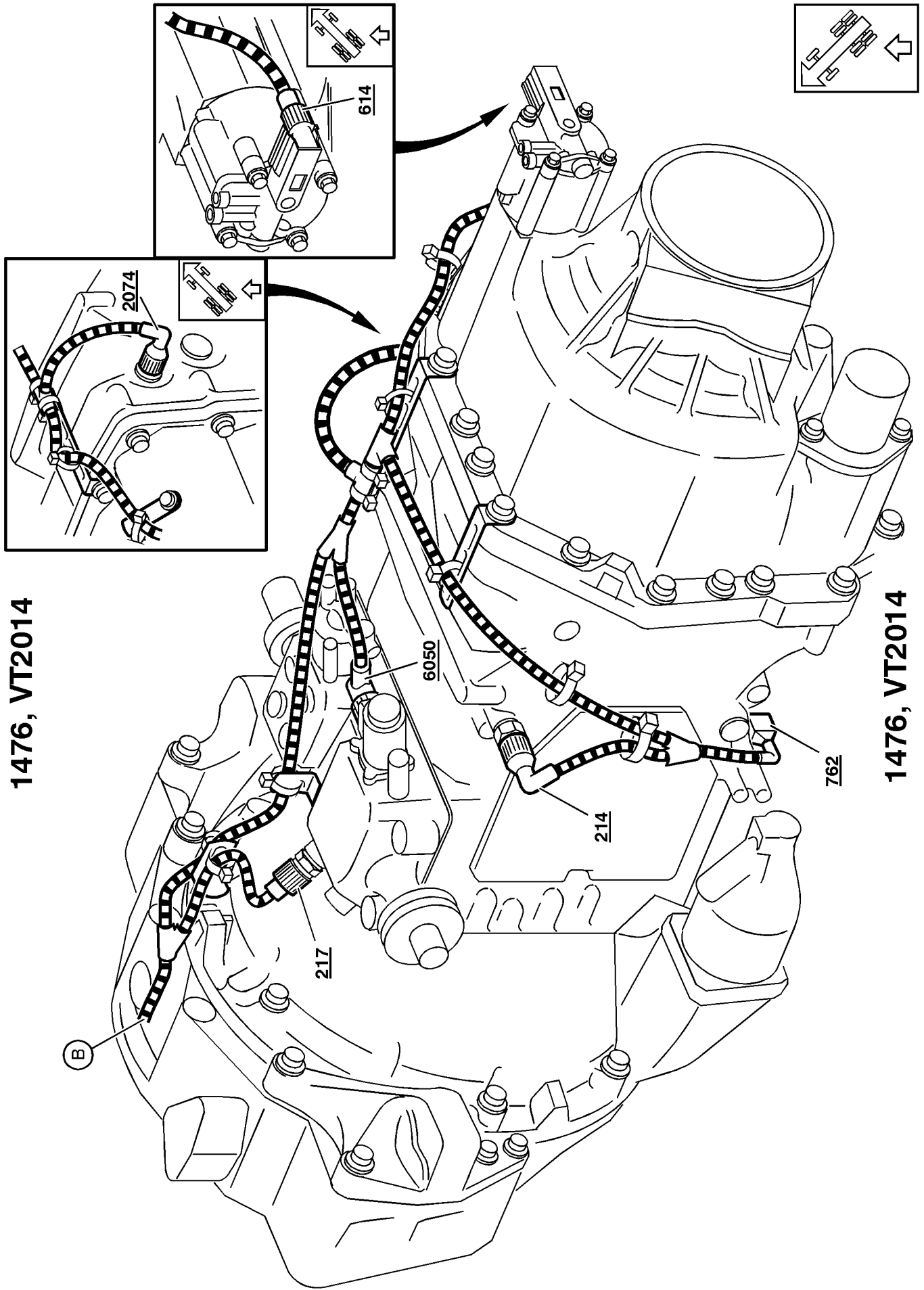
1476, FM12

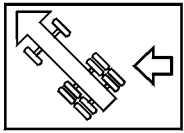
1476, FM12

1476

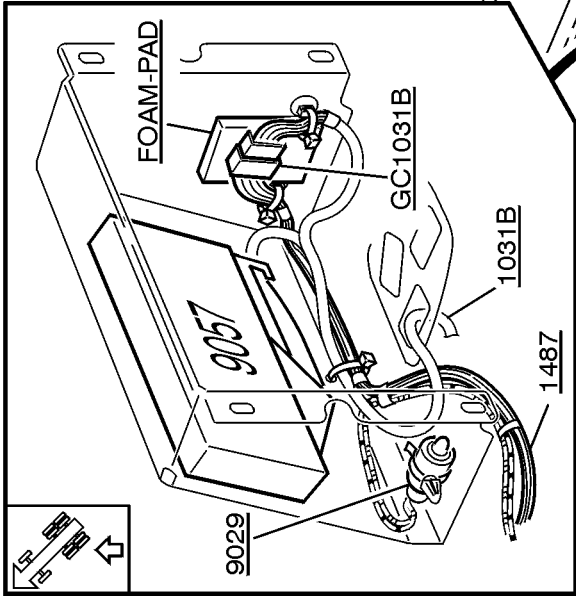
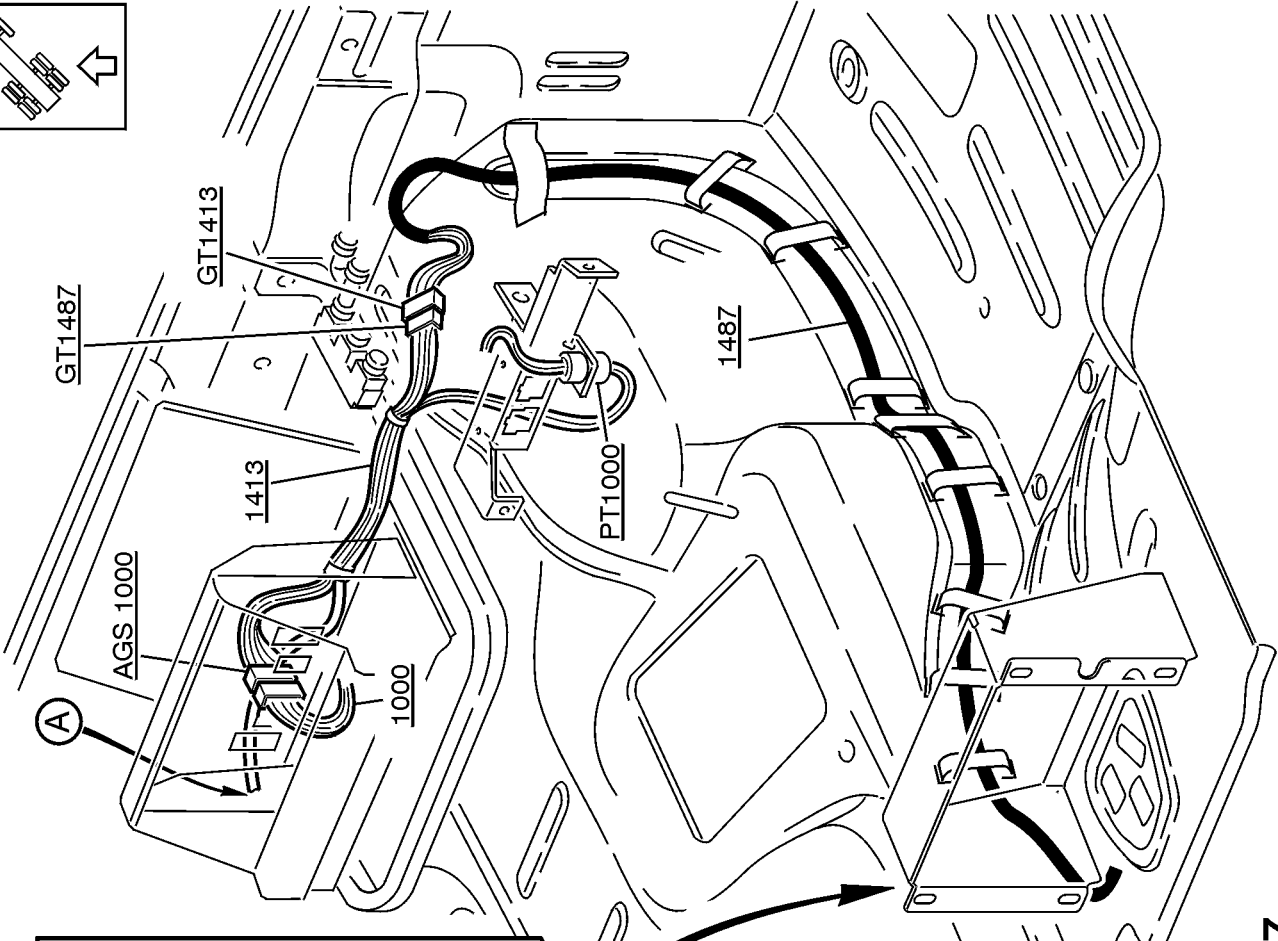
1476



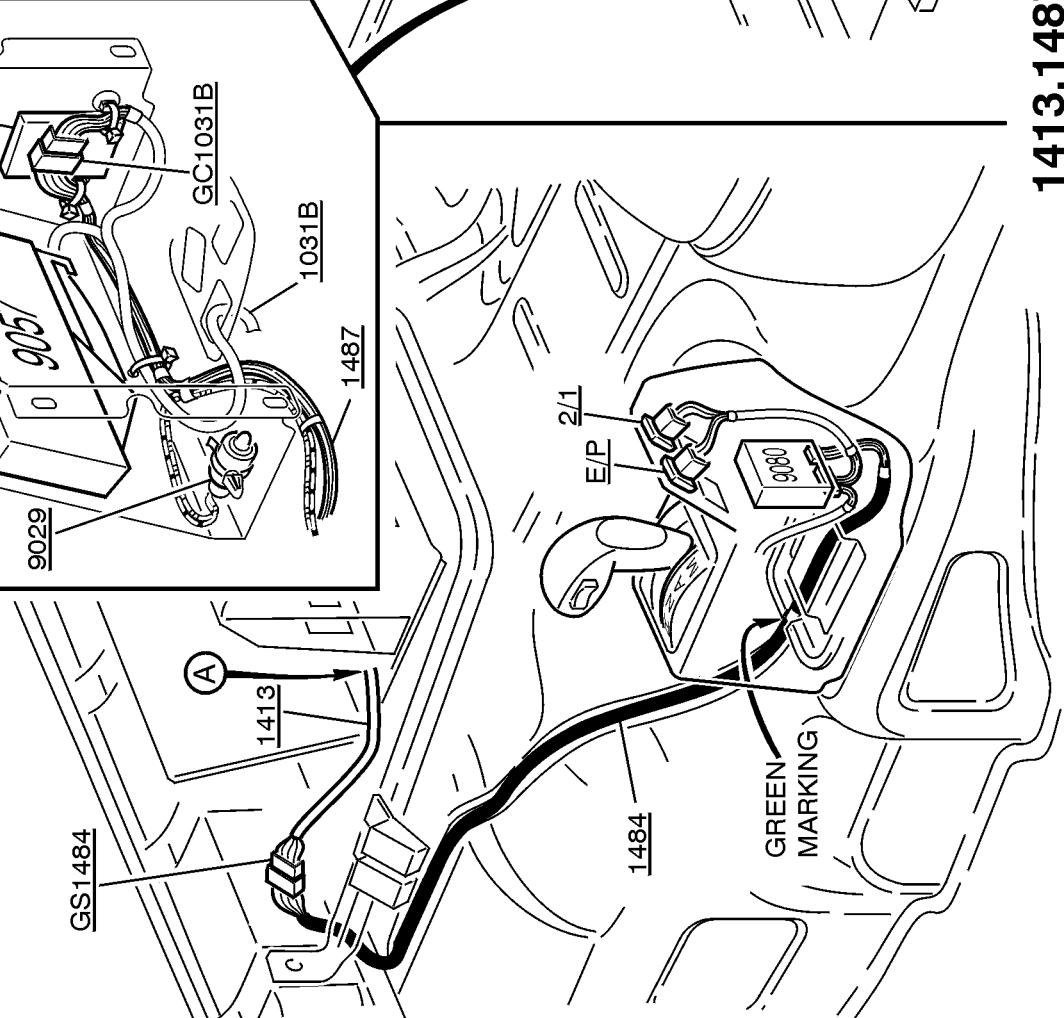
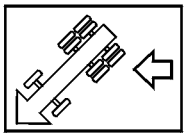


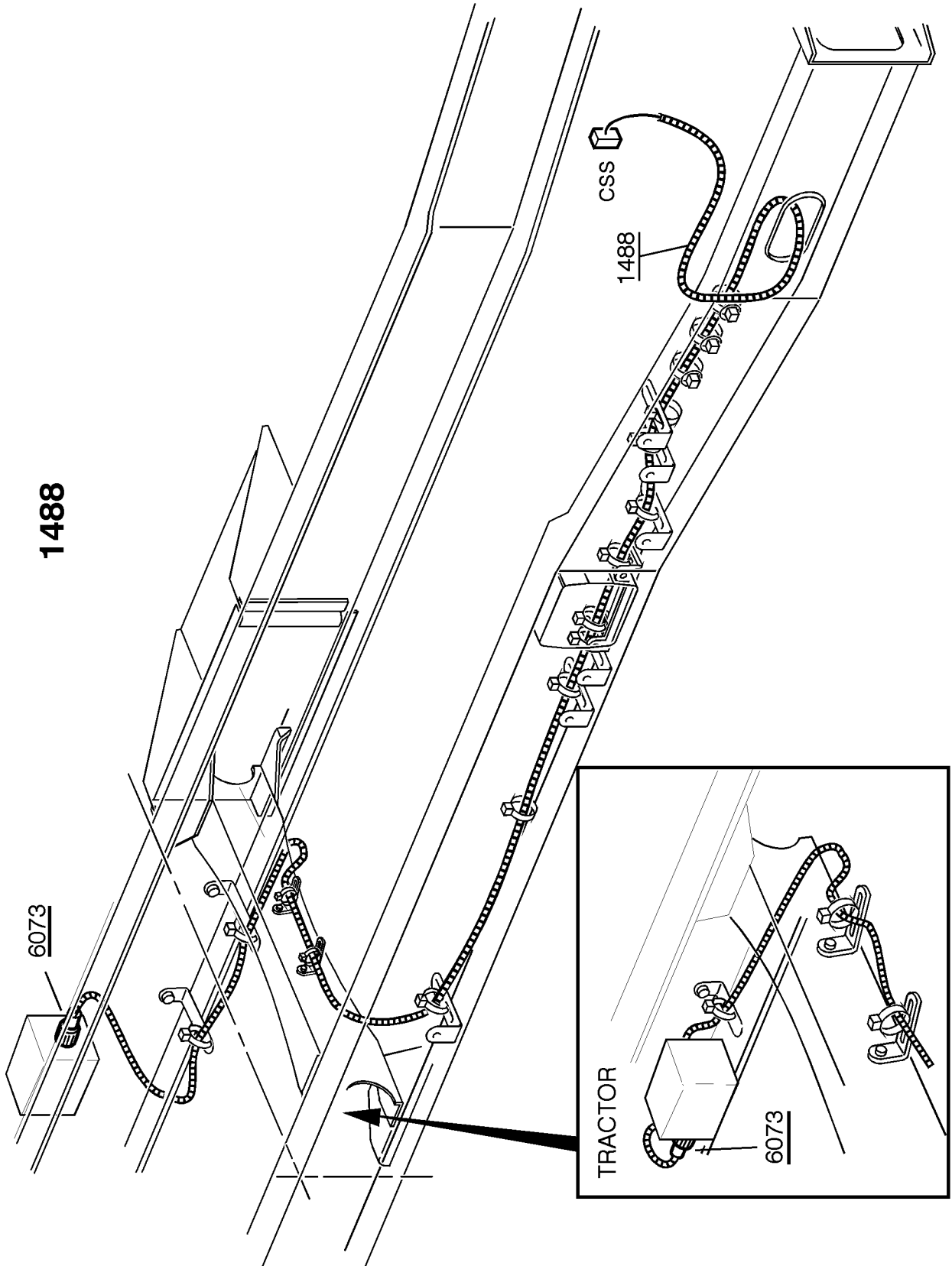
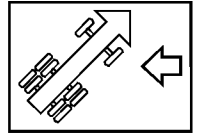


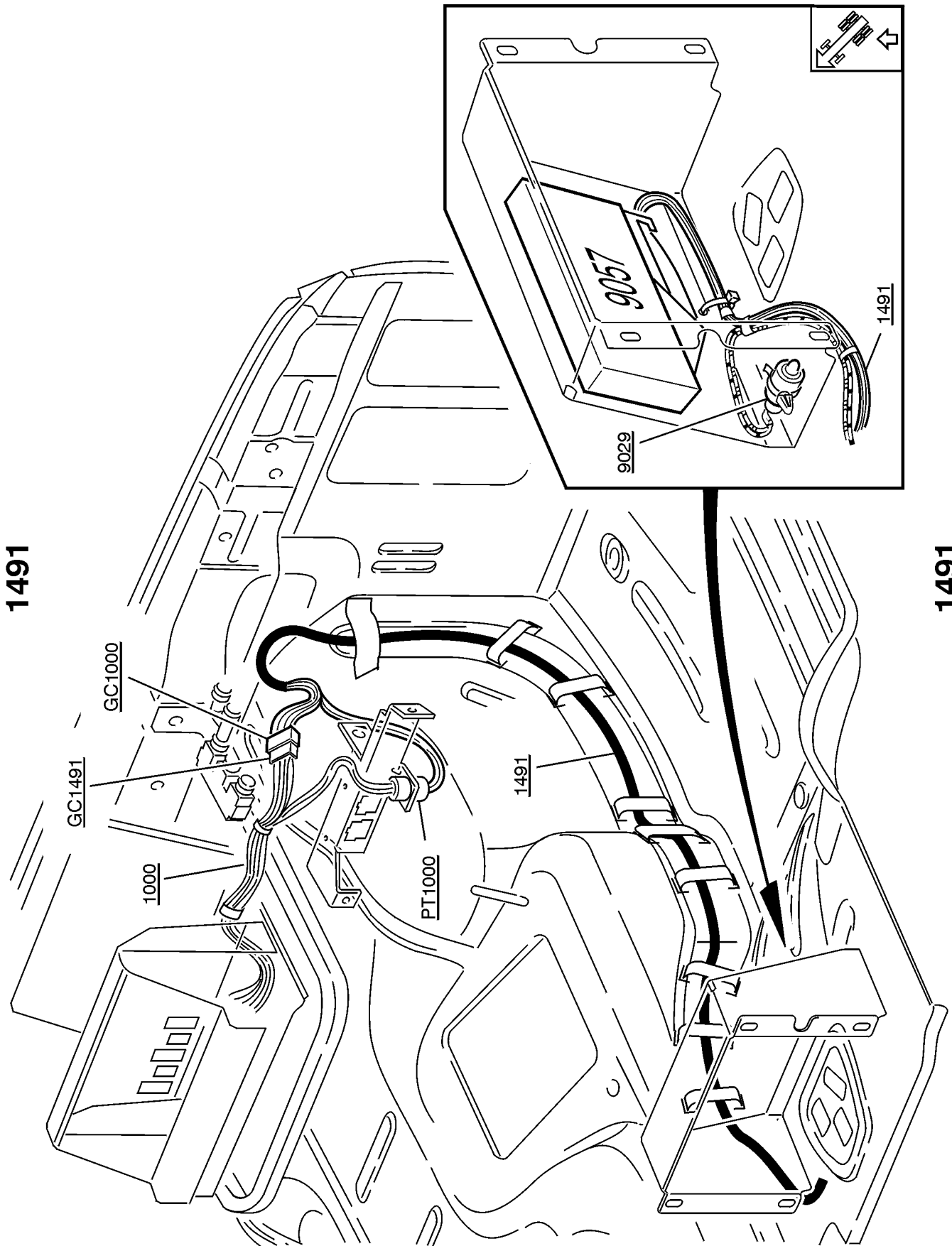
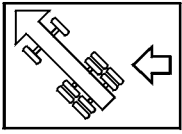
1413,1487



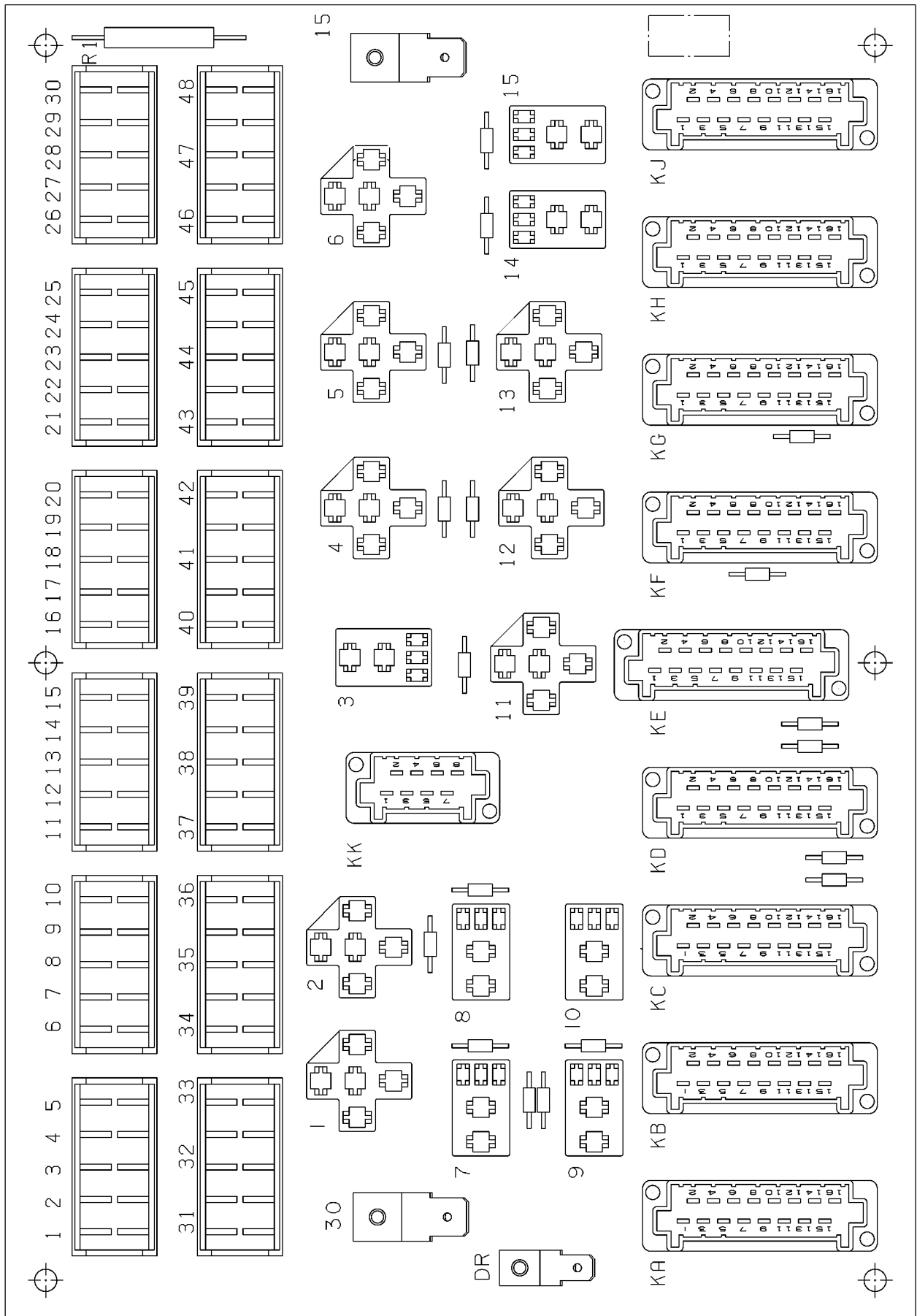
1413,1487







Circuit card electrical centre



Fuses on circuit card electrical centre

F1	Air suspension/Hydraulic bogielift (kl.DR)	(AA36)	F26	Differential lock, power take off ..	(LG6)
F2	Range-,area-inhibitors, compressor control	(AC7)	F27	Electronic climate control	(HA3)
F3	SRS airbag, Immobiliser	(AA32)	F28	Direction indicator, Instrumentation (kl.15)	(CN7)
F4	Central door lock	(KH8)	F29	Horn, solenoid valve for airhorn .	(FA7)
F5	Interior light, timer	(ER16)(ES15)	F30	Cigarette lighter, centre section storagelamp	(EV8)
F6	Brake light trailer	(CK17)	F31	Voltage divider for 12V. outlets ...	(EX14)
F7	Instrumentation (kl.30)	(NB4)(NZ3)	F32	Foglight, rear foglight	(CG6)
F8	Voltage divider for radio	(EX7)	F33	Park. light truck lhs	(CE19)
F9	Brake light truck	(CK9)	F34	Park. light trailer lhs	(CE22)
F10	Spotlight	(CH5)(CI4)	F35	Bedlamps, luggage comp. lamp, bedlock	(ER46)(ES46)
F11	Fullbeam flash	(CE64)	F36	Park. light trailer rhs	(CE24)
F12	Air suspension (kl.30)	(ME45)(MF41)(MG26)	F37	Park. light truck rhs	(CE26)
F13	El. heated rearview mirrors .	(HG4)	F38	Direction indicator, hazard warning light (kl.30)	(CN10)
F14	Preheating, relay "radio-pos."	(AA12)	F39	Dipped beam rhs	(CE53)
F15	Dipped beam lhs	(CE49)	F40	Fullbeam rhs	(CE55)
F16	Fullbeam lhs, fullbeam ind. lamp	(CE51)	F41	El. window winder, passenger side	(KA21)
F17	Radiopos. startswitch	(AA43)	F42	El. window winder, driver side	(KA5)
F18	Cooling fan control, preheat relay	(BJ51)(BL51)(BM51)	F43	Engine ECU	(BJ23)(BL23)(BM23)
F19	Vehicle ECU	(AC19)	F44	Revers light, revers warning alarm	(EA9)
F20	Engine solenoid valves	(BJ41)(BL44)(BM41)	F45	Fan, climate unit	(HA6)
F21	Instrumentation, el. heated mirror relay (kl.61)	(NA60)	F46	El heated seat, park. heater	(HE6)
F22	DRL (day running light/Dim-dip)	(CE41)	F47	Windscreen wiper	(GA30)
F23	El. heated airdryer	(HK4)	F48	Headlamp wiper, windscreen and headlamp washer	(GA16)
F24	Extra equipment "XA", relay bodybuilder fusebox (kl.15) .	(XA9)			
F25	El. adjustable mirrors	(HH5)			

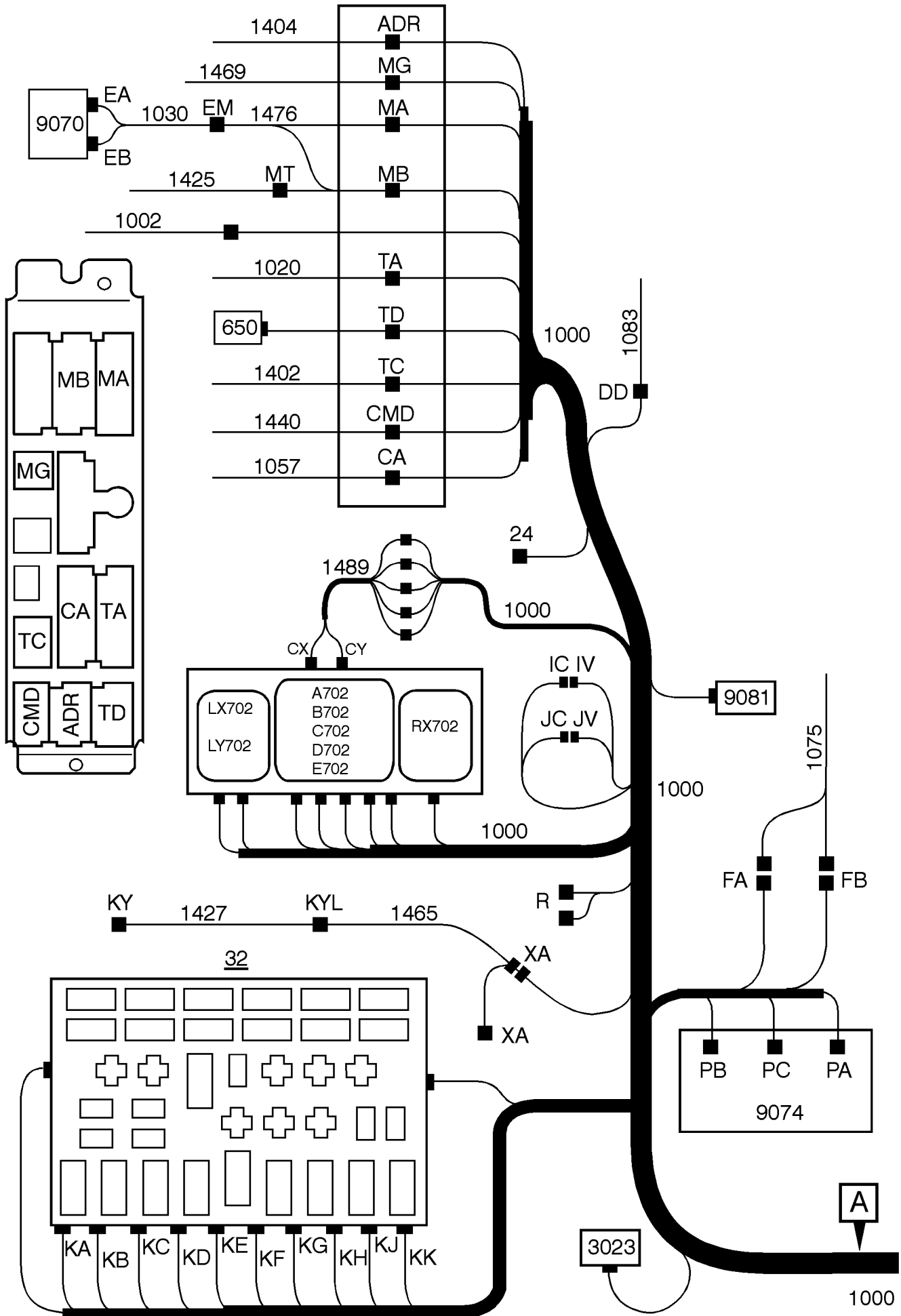
Relays on circuit card electrical centre

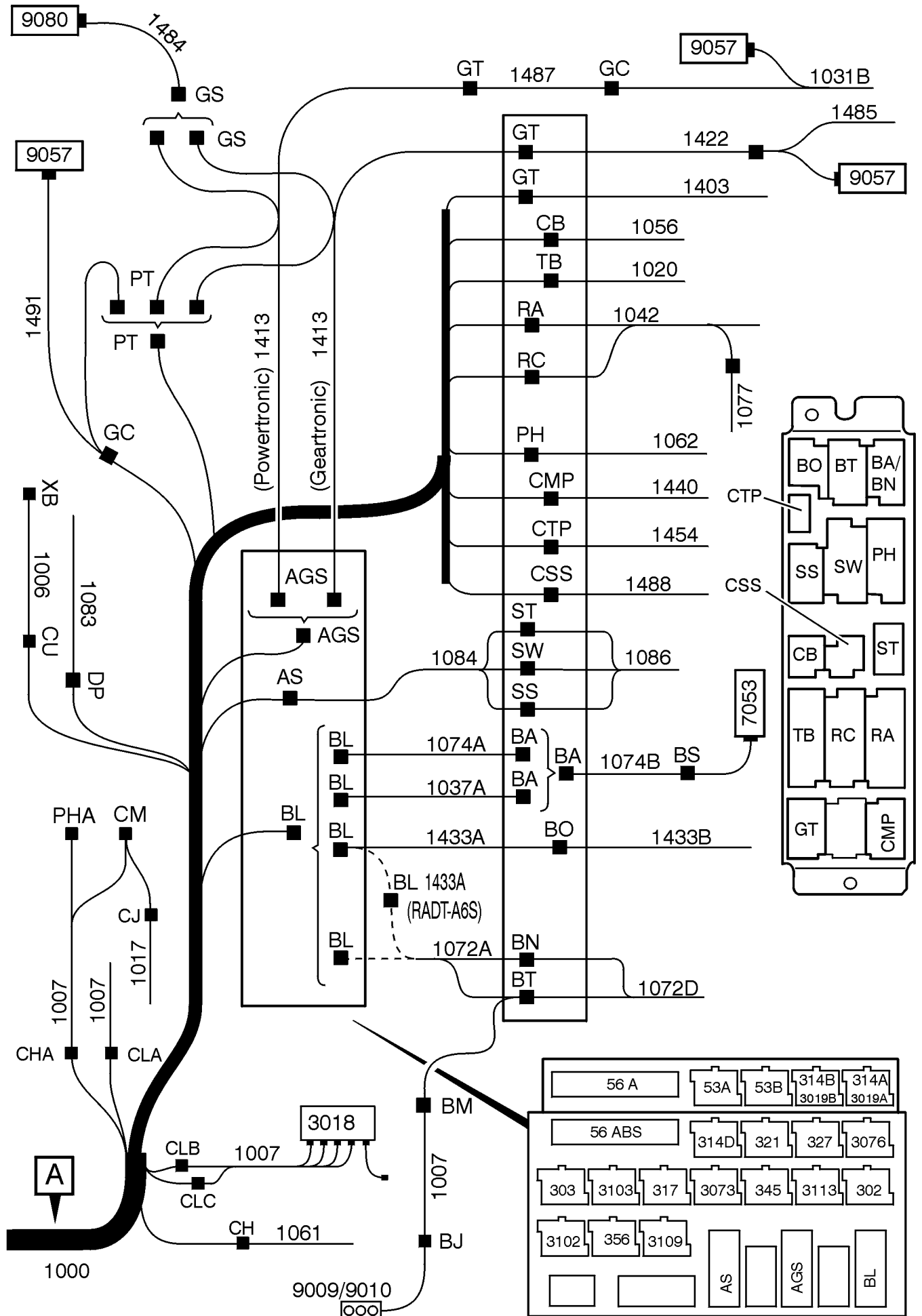
301	Relay, fog lights"9"	(CG5)	315R	Relay, starting switch"4"	(AA42)
305	Relay, reversing lights"12"	(EA7)	343	Relay, rear fog lights"7"	(CG12)
306	Relay, full beams"11"	(CE55)	348A	Relay, fan,climate unit"13"	(HA6)
307	Relay, dipped beams"3"	(CE48)	360	Relay, power take off in- hibitor"14"	(LD3)(LE4)
308	Relay, brake lights truck"8"	(CK8)	379	Relay, fuel injection"5"	(AC17)
308B	Relay, brake lights trailer"10"	(CK15)	3005	Alternator-controlled relay"6"	(AA52)
309L	Relay, parking lights lhs"1"	(CE19)	3101	Relay, interior lamps"15"	(ER13)(ES13)
309R	Relay, parking lights rhs"2"	(CE26)			

Cable harness illustration index

650	Windscreen wiper motor	page 104
1000	Cable harness, instruments	page 66
1000	Cable harness, instruments (Dynafleet)	page 71
1002	Cable harness, tachograph (CABLE-EC)	page 72
1006	Cable harness, cab, upper	page 73
1007	Cable harness, cab, lower	page 75
1017	Cable harness, engine/cab heater	page 77
1020	Cable harness, cowl	page 78
1030	Cable harness, engine	page 80
1031	Cable harness, automatic transmission	page 86
1037	Cable harness, bogie lift	page 87
1042	Cable harness, tail lights	page 88
1057	Cable harness, chassis	page 89
1061	Cable harness, parking heater, cab	page 90
1062	Cable harness, parking heater, frame	page 92
1072	Cable harness, air suspension	page 93
1074	Cable harness, hydraulic bogie lift with axle load limiter	page 95
1075	Cable harness, speed limiter, cab	page 97
1077	Cable harness, side marking lamp	page 98
1083	Cable harness, door	page 99
1084	Cable harness, cab, ABS	page 102
1086	Cable harness, solenoid valve, ABS	page 103
1097	Cable harness, bogie lift feeder cable	page 96
1402	Cable harness, windscreen washers	page 104
1403	Cable harness, retarder	page 105
1404	Cable harness, ADR	page 106
1413	Cable harness, AGS/PS, cab (GEARTRONIC)	page 108
1413	Cable harness, AGS/PS, cab (POWERTRONIC)	page 122
1422	Cable harness, Geartronic-chassis	page 109
1425	Cable harness, pulse sensor - tachograph (CABLE-B)	page 72
1433	Cable harness, bogie lift - locking, 3rd axle	page 110
1440	Cable harness, el. operated rearview mirror	page 113
1454	Cable harness, cab tilt pump	page 114
1465	Cable harness, additional accessories	page 115
1469	Cable harness, fuel filter heater	page 116
1476	Cable harness, engine, cab	page 117
1484	Cable harness, adapter, AGS/PS, gear lever carrier (Geartronic)	page 108
1484	Cable harness, adapter, AGS/PS, gear lever carrier (Pow- ertronic)	page 122

1485	Cable harness, clutch	page 109
1487	Cable harness, Powertronic/cab-adapter	page 122
1488	Cable harness, central lubrication system	page 123
1489	Cable harness, adapter, no tachograph	page 66
1491	Cable harness, compact retarder, ECU/cab	page 124





List of connectors

A1	(NB9)	B2	(NZ10)	BL13	(MG17)
A2	(NB15)	B2	(NZ9)	BL14	(LL10)
A2	(NZ15)	B3	(NB22)	BL16	(LL12)
A3	(NB11)	B4	(NB23)	BL16	(MA9)
A3	(NZ32)	B7	(NB29)	BL16	(MD12)
A4	(NB14)	BA1	(MA16)	BL16	(ME29)
A4	(NZ13)	BA1	(MD15)	BL16	(MF29)
A5	(NB15)	BA2	(MA17)	BL16	(MG15)
A5	(NZ16)	BA2	(MD29)	BL16	(ZB53)
A5	(ZA11)	BA3	(MA5)	BM1	(MF33)
A6	(NB17)	BA3	(MD5)	BM1	(MG18)
A6	(NZ31)	BA5	(MD9)	BM1	(MG18)
ADR1	(ZD25)	BA6	(MA22)	BM2	(ME34)
ADR2	(ZD23)	BA6	(MD32)	BM2	(MF34)
AGS1	(LO5)	BA7	(MA23)	BM2	(MG19)
AGS1	(LP6)	BA7	(MD33)	BM3	(ME35)
AGS2	(LO9)	BA8	(MD12)	BM3	(MF35)
AGS2	(LP10)	BA8	(ZB54)	BM4	(ME36)
AGS3	(LO4)	BJ1	(ME33)	BM4	(MF36)
AGS3	(LP5)	BJ1	(ME44)	BM5	(ME37)
AGS4	(LO8)	BJ1	(MF33)	BM5	(MF37)
AGS4	(LP9)	BJ1	(MG18)	BM5	(MG20)
AGS5	(LO12)	BJ2	(ME34)	BM6	(ME38)
AGS5	(LP13)	BJ2	(ME45)	BM6	(MF38)
AGS6	(LO18)	BJ2	(MF34)	BM6	(MG21)
AGS6	(LP19)	BJ2	(MG19)	BM7	(ME39)
AGS7	(LO8)	BJ3	(ME35)	BM7	(MF39)
AGS7	(LP9)	BJ3	(MF35)	BM7	(MG22)
AGS8	(LO10)	BJ4	(ME36)	BM8	(ME40)
AGS8	(LP11)	BJ4	(MF36)	BM8	(MF40)
AGS9	(LO12)	BJ5	(ME37)	BM8	(MG23)
AGS9	(LP13)	BJ5	(ME46)	BM8	(ZB58)
AGS10	(LO14)	BJ5	(MF37)	BN1	(ME21)
AGS10	(LP15)	BJ5	(MG20)	BN1	(MF13)
AGS11	(LO4)	BJ6	(ME38)	BN1	(MG7)
AGS11	(LP5)	BJ6	(ME47)	BN2	(ME16)
AGS11	(ZA14)	BJ6	(MF38)	BN2	(MF16)
AGS12	(LO25)	BJ6	(MG21)	BN2	(MG4)
AGS12	(LP26)	BJ7	(ME39)	BN3	(ME17)
AGS12	(ZA15)	BJ7	(ME48)	BN3	(MF17)
AS1	(CK12)	BJ7	(MF39)	BN3	(MG5)
AS2	(AC38)	BJ7	(MG22)	BN4	(ME22)
AS3	(AC46)	BJ8	(ME40)	BN4	(MF22)
AS4	(NB53)	BJ8	(ME49)	BN4	(MG9)
AS4	(NZ51)	BJ8	(MF40)	BN5	(ME11)
AS5	(CK19)	BJ8	(MG23)	BN5	(MF11)
AS6	(OA16)	BJ8	(ZB58)	BN5	(MG4)
AS6	(OB15)	BL1	(ME46)	BN6	(ME13)
AS7	(OA11)	BL1	(MF42)	BN6	(MF13)
AS7	(OB10)	BL1	(MG27)	BN6	(MG7)
AS8	(NA44)	BL2	(AA36)	BN7	(ME16)
AS9	(NB55)	BL3	(CE41)	BN7	(MF16)
AS9	(NZ53)	BL4	(NA19)	BN7	(MG9)
AS9	(OA3)	BL5	(AC37)	BN8	(ME18)
AS9	(OB3)	BL6	(AC47)	BN8	(MF18)
AS10	(AC8)	BL7	(NC39)	BN8	(MG6)
AS11	(AC24)	BL8	(ME34)	BO1	(LJ13)
AS12	(AC30)	BL9	(ME35)	BO2	(LJ19)
AS13	(CL10)	BL10	(AC2)	BO2	(ZB27)
AS14	(CL5)	BL11	(AC6)	BO3	(LJ28)
AS14	(ZB48)	BL12	(EA5)	BO4	(LJ7)
B1	(NB20)	BL13	(ME6)	BS1	(MD15)
B1	(NZ7)	BL13	(ME30)	BS2	(MD9)
B1	(NZ8)	BL13	(MF6)	BS4	(MD12)
B2	(NB21)	BL13	(MF30)	BS4	(ZB54)

BT2	(ME8)	CHA9	(ZB5)	CM7	(ZE13)
BT2	(MF8)	CHA9	(ZE39)	CMD1	(HG9)
BT3	(ME12)	CJ1	(HB11)	CMD1	(ZA27)
BT3	(MF12)	CJ2	(HB14)	CMD2	(HG9)
BT5	(ME19)	CJ3	(HB16)	CMD3	(HH10)
BT6	(ME21)	CJ3	(ZB7)	CMD4	(HH11)
BT7	(ME23)	CJ6	(HB19)	CMD5	(HH14)
BUS1	(AC26)	CJ7	(HB13)	CMP1	(HG4)
BUS2	(AC28)	CLA1	(ER53)	CMP1	(ZB21)
BUS3	(AC36)	CLA1	(ES60)	CMP2	(HG4)
BUS4	(AC48)	CLA2	(HE6)	CMP3	(HH4)
C1	(NB33)	CLA3	(NA42)	CMP4	(HH5)
C2	(NB35)	CLA4	(ED6)	CMP5	(HH8)
C3	(NB37)	CLA5	(HE18)	CSS1	(TB6)
C4	(NZ22)	CLA6	(HE23)	CSS2	(TB6)
C5	(NZ24)	CLA8	(NB46)	CSS2	(ZB38)
C7	(NB28)	CLA8	(NZ47)	CTP1	(HP10)
CA1	(LE20)	CLA23	(NB45)	CTP2	(HP11)
CA2	(CK4)	CLA23	(ZA33)	CTP2	(ZA8)
CA3	(LG7)	CLA24	(NA42)	CU1	(CE9)
CA4	(LD8)	CLA24	(ZA35)	CU2	(CE37)
CA4	(LE9)	CLB1	(HC23)	CU3	(ER13)
CA5	(CK8)	CLB1	(ZG23)	CU3	(ES12)
CA6	(NB14)	CLB2	(HC5)	CU4	(ER46)
CA6	(ZA4)	CLB2	(ZG5)	CU4	(ES46)
CA8	(LL10)	CLB3	(HC20)	CU5	(ER31)
CA9	(LG5)	CLB3	(ZG20)	CU5	(ES33)
CA10	(NA26)	CLB4	(HC13)	CU6	(ER24)
CA11	(NA26)	CLB4	(ZG13)	CU6	(ES21)
CA12	(AC4)	CLB5	(HC17)	CU7	(KB3)
CA13	(AC4)	CLB5	(ZG17)	CU8	(ER12)
CA16	(LD8)	CLB6	(HC8)	CU8	(ES12)
CA16	(LL10)	CLB6	(ZG7)	CU9	(EN4)
CA16	(ZB44)	CLB7	(HC9)	CU9	(XA43)
CB1	(HK4)	CLB7	(ZG9)	CU10	(EN6)
CB2	(HK4)	CLB8	(HC7)	CU10	(XA45)
CB2	(ZB24)	CLB8	(ZG7)	CU11	(CE61)
CC1	(LO48)	CLB9	(HC16)	CU12	(ER24)
CC3	(LO47)	CLB9	(ZG15)	CU12	(ES21)
CC4	(LO45)	CLB10	(HC22)	CU13	(JA18)
CC5	(LO48)	CLB10	(ZG21)	CU14	(JA19)
CC6	(LO44)	CLB11	(HC11)	CU15	(JA21)
CC9	(LO42)	CLB11	(ZG11)	CU16	(JA22)
CC10	(LO41)	CLB12	(HC5)	CX1	(NZ22)
CC11	(LO40)	CLB12	(ZG5)	CX2	(NZ24)
CC12	(LO42)	CLB13	(HC2)	CX3	(NZ18)
CH1	(HC15)	CLB13	(ZG2)	CX4	(NZ13)
CH2	(HC16)	CLB14	(ZG9)	CX5	(NZ16)
CH3	(HC23)	CLB15	(ZG27)	CY1	(NZ47)
CH4	(HC27)	CLB16	(HC27)	CY2	(NZ48)
CH5	(HC29)	CLB16	(ZG26)	CY3	(NZ45)
CH8	(HC32)	CLC1	(ZG11)	CY4	(NZ53)
CHA1	(HB9)	CLC2	(ZG12)	CY5	(NZ41)
CHA1	(ZE9)	CM1	(HB11)	CY6	(NZ45)
CHA2	(HB4)	CM1	(ZE11)	CY7	(NZ39)
CHA2	(ZE5)	CM2	(HB14)	CY8	(NZ38)
CHA3	(HB2)	CM2	(ZE14)	CY9	(NZ54)
CHA3	(ZE2)	CM3	(HB16)	CY10	(NZ36)
CHA4	(ZE31)	CM3	(ZB7)	CY11	(NZ31)
CHA5	(HB37)	CM3	(ZE16)	CY11	(ZA)
CHA5	(ZE32)	CM4	(HB10)	CY12	(NZ35)
CHA6	(ZE29)	CM4	(ZE10)	CY13	(NZ33)
CHA7	(HB32)	CM5	(HB22)	CY14	(NZ32)
CHA7	(ZE24)	CM5	(ZE22)	CY15	(NZ50)
CHA8	(HB33)	CM6	(HB19)	CY16	(NZ51)
CHA8	(ZE26)	CM6	(ZE19)	CY17	(NZ51)
CHA9	(HB33)	CM7	(HB13)	CY18	(NZ15)

CY19	(NZ42)	DP24	(ER21)	EA18	(BL10)
CY20	(NZ39)	DP24	(ES20)	EA18	(BM54)
CY21	(NZ10)	DP24	(KA16)	EA21	(BJ54)
CY22	(NZ32)	DP24	(KH9)	EA22	(BL30)
CY24	(NZ41)	DP24	(ZB36)	EA23	(BL32)
CY25	(NZ44)	E1	(NB23)	EA24	(BL39)
CY26	(NZ26)	E2	(NB26)	EA25	(BJ26)
CY27	(NZ20)	E3	(NB39)	EA25	(BL21)
CY29	(NZ8)	E3	(NZ38)	EA25	(BM26)
CY30	(NZ29)	E4	(NB47)	EA27	(BJ4)
D1	(NB27)	E4	(NZ47)	EA27	(BL4)
D1	(NZ36)	E5	(NB56)	EA27	(BM4)
D2	(NB31)	E5	(NZ54)	EA28	(BJ14)
D2	(NZ29)	E6	(NB25)	EA29	(BJ45)
D3	(NB33)	E6	(NZ18)	EA29	(BM45)
D4	(NB34)	E7	(NB45)	EA30	(BJ6)
D5	(NB36)	E7	(NZ45)	EA30	(BL6)
D5	(NZ35)	E8	(NB40)	EA30	(BM6)
D6	(NB31)	E8	(NZ39)	EA31	(BJ7)
D7	(NB50)	E9	(NB42)	EA31	(BL7)
D7	(NZ48)	E9	(NZ41)	EA31	(BM7)
D8	(NB30)	E10	(NB47)	EA33	(BL44)
DD1	(KA21)	E10	(NZ45)	EA34	(BL35)
DD2	(KA33)	E12	(NB40)	EA35	(BL36)
DD3	(KH16)	E13	(NB43)	EA36	(BL38)
DD4	(KH17)	E13	(NZ44)	EB1	(BJ34)
DD5	(KA26)	E14	(NB51)	EB1	(BL34)
DD6	(KA28)	E15	(NB52)	EB1	(BM34)
DD7	(KH17)	E15	(NZ51)	EB2	(BJ36)
DD8	(KH20)	E16	(NB54)	EB2	(BL36)
DD9	(KH21)	E16	(NZ53)	EB2	(BM36)
DD10	(JA12)	EA1	(BJ29)	EB3	(BJ9)
DD11	(JA13)	EA1	(BL23)	EB3	(BL9)
DD12	(ER4)	EA1	(BM29)	EB3	(BM9)
DD12	(ES4)	EA2	(BJ17)	EB4	(BJ28)
DD13	(HH10)	EA2	(BL12)	EB4	(BL27)
DD14	(HH11)	EA2	(BM17)	EB4	(BM28)
DD15	(HH14)	EA3	(BJ19)	EB5	(BJ52)
DD16	(HH4)	EA3	(BL13)	EB5	(BL52)
DD17	(HH5)	EA3	(BM18)	EB5	(BM52)
DD18	(HH8)	EA4	(BJ18)	EB7	(BJ17)
DD19	(HH12)	EA4	(BL13)	EB7	(BL17)
DD20	(KA8)	EA4	(BM18)	EB7	(BM17)
DD21	(KA9)	EA5	(BJ24)	EB8	(BJ18)
DD22	(ER9)	EA5	(BL18)	EB8	(BL19)
DD22	(ES8)	EA5	(BM24)	EB8	(BM18)
DD24	(ER5)	EA7	(BJ9)	EB9	(BJ54)
DD24	(ES3)	EA7	(BL9)	EB9	(BL53)
DD24	(HH3)	EA7	(BM53)	EB9	(BM53)
DD24	(HH9)	EA8	(BJ51)	EB10	(B55)
DD24	(KA8)	EA8	(BM50)	EB10	(BL55)
DD24	(KA17)	EA9	(BJ53)	EB10	(BM55)
DD24	(KA20)	EA10	(BJ52)	EB11	(BJ23)
DD24	(ZA50)	EA10	(BM52)	EB11	(BL23)
DP1	(KA3)	EA11	(BL29)	EB11	(BM23)
DP2	(KA14)	EA12	(BL33)	EB12	(BJ24)
DP5	(KA16)	EA13	(BJ3)	EB12	(BL25)
DP6	(KA17)	EA13	(BL3)	EB12	(BM24)
DP7	(KH8)	EA13	(BM3)	EB13	(BJ11)
DP8	(KH12)	EA14	(BJ30)	EB13	(BL11)
DP9	(KH13)	EA14	(BL24)	EB13	(BM11)
DP10	(JA15)	EA14	(BM29)	EB15	(BJ5)
DP11	(JA16)	EA16	(BJ49)	EB15	(BL5)
DP12	(ER19)	EA16	(BM49)	EB15	(BM5)
DP12	(ES19)	EA17	(BJ47)	EB17	(BJ20)
DP22	(ER16)	EA17	(BM47)	EB17	(BL21)
DP22	(ES17)	EA18	(BJ10)	EB17	(BM20)

EB21	(BJ38)	FA6	(AC61)	GS12	(LO10)
EB21	(BL38)	FA7	(AC62)	GS12	(LP11)
EB21	(BM38)	FA8	(AC63)	GS13	(LO18)
EB24	(BJ33)	FA9	(AC64)	GS13	(LP19)
EB24	(BL33)	FA10	(AC10)	GS14	(LO12)
EB24	(BM33)	FA11	(ME6)	GS14	(LP13)
EB25	(BJ30)	FA11	(MF6)	GS15	(LO14)
EB25	(BL30)	FA13	(CN2)	GS15	(LP15)
EB25	(BM30)	FB1	(NB30)	GS16	(LO5)
EB26	(BJ31)	FB2	(EA6)	GS16	(LP6)
EB26	(BL31)	FB3	(NB51)	GT1	(LO28)
EB26	(BM31)	FB3	(NZ50)	GT1	(LP34)
EB31	(BJ51)	FB4	(LD14)	GT2	(LO29)
EB31	(BL51)	FB4	(LE15)	GT2	(LP35)
EB31	(BM51)	FB5	(NB58)	GT3	(LO30)
EB34	(BJ26)	FB5	(NZ57)	GT3	(LP36)
EB34	(BM26)	FB6	(CK6)	GT4	(LO31)
EB35	(BJ41)	FB7	(NB42)	GT4	(LP37)
EB35	(BL42)	FB7	(NZ43)	GT6	(LO27)
EB35	(BM41)	FB8	(FA9)	GT6	(LP33)
EB36	(BJ44)	FB9	(ED4)	GT7	(LO25)
EB36	(BL45)	FB10	(AC44)	GT7	(LP26)
EB36	(BM44)	FB11	(AC44)	GT7	(ZA15)
EBS1	(CE34)	FB12	(AC36)	IC1	(TB4)
EBS2	(NB26)	FB13	(AC36)	IC2	(TB6)
EBS3	(NC14)	FB14	(AC36)	IC2	(ZB38)
EBS4	(LG7)	FB15	(EA19)	IC3	(LD14)
EBS5	(LG7)	FB16	(AA18)	IC3	(LE15)
EM1	(BJ27)	FB17	(AA18)	IC4	(AC43)
EM1	(BL27)	FB18	(EA17)	IC5	(AA16)
EM1	(BM28)	GC1	(LO28)	IC6	(NB56)
EM2	(BJ34)	GC1	(LP34)	IC6	(NZ54)
EM2	(BL34)	GC2	(LO29)	IC7	(EA12)
EM2	(BM34)	GC2	(LP35)	IC9	(ED6)
EM3	(BJ36)	GC3	(LO30)	IS1	(LO61)
EM3	(BL36)	GC3	(LP36)	IS2	(LO62)
EM3	(BM36)	GC4	(LO31)	IS3	(LO37)
EM4	(BJ30)	GC4	(LP37)	IS4	(LO38)
EM4	(BL30)	GC6	(LP33)	IV1	(TB4)
EM4	(BM30)	GC7	(LO40)	IV2	(TB6)
EM5	(BJ31)	GC7	(LP26)	IV2	(ZB38)
EM5	(BL31)	GC8	(LO43)	IV3	(LD14)
EM5	(BM31)	GC10	(LO37)	IV3	(LE15)
EM6	(BJ51)	GC11	(LO27)	IV4	(AC43)
EM6	(BL51)	GC12	(LO25)	IV5	(AA16)
EM6	(BM51)	GC12	(ZA15)	IV6	(NB56)
EM7	(BJ44)	GS11	(LP9)	IV6	(NZ54)
EM7	(BL44)	GS1	(LO19)	IV7	(EA12)
EM7	(BM44)	GS1	(LP22)	IV9	(ED6)
EM8	(BJ33)	GS2	(LO20)	JC1	(HM9)
EM8	(BL33)	GS2	(LP23)	JC1	(HO6)
EM8	(BM33)	GS3	(LO4)	JC1	(ZA64)
EM9	(BJ23)	GS3	(LP5)	JC2	(AC30)
EM9	(BL23)	GS4	(LO8)	JC3	(HP13)
EM9	(BM23)	GS4	(LP9)	JC3	(ZB50)
EM10	(BJ56)	GS5	(LO4)	JC4	(LD17)
EM10	(BL56)	GS5	(LP5)	JC4	(LE10)
EM10	(BM56)	GS6	(LO12)	JC5	(LE21)
EM10	(ZA13)	GS7	(LO5)	JC6	(LD19)
EM11	(BJ49)	GS7	(LP6)	JC6	(LE15)
EM11	(BL49)	GS8	(LO6)	JC7	(KE10)
EM11	(BM49)	GS8	(LP7)	JC8	(KE10)
FA1	(AC53)	GS9	(LO21)	JC10	(CH14)
FA2	(AC55)	GS9	(LP24)	JC10	(CI16)
FA3	(AC56)	GS10	(LO22)	JC10	(ZA60)
FA4	(AC58)	GS10	(LP25)	JC11	(HA6)
FA5	(AC59)	GS11	(LO8)	JC11	(ZA57)

JC12	(HE26)	KB3	(CG6)	KE16	(CE51)
JC12	(ZA55)	KB4	(CG8)	KF1	(KA3)
JC13	(KH23)	KB5	(AA36)	KF2	(KA21)
JC13	(ZA54)	KB6	(AA37)	KF3	(KA5)
JC14	(LD10)	KB7	(CE37)	KF4	(CE51)
JC14	(LE11)	KB8	(CE37)	KF5	(CE55)
JC14	(ZA62)	KB9	(CG12)	KF6	(EA9)
JC15	(PA14)	KB10	(CG5)	KF7	(CE57)
JC15	(ZA59)	KB12	(CE45)	KF8	(EA13)
JC16	(HA10)	KB12	(ZB63)	KF9	(CE64)
JC17	(AC49)	KB14	(EX14)	KF10	(AA43)
JC20	(NB8)	KB15	(CG15)	KF11	(AA45)
JC22	(NB42)	KB16	(EX17)	KF12	(AA46)
JC22	(NZ43)	KC1	(CE24)	KF13	(AA48)
JC23	(AC62)	KC2	(CE25)	KF14	(KH10)
JC24	(AC63)	KC3	(CE38)	KF15	(KH12)
JV1	(HM9)	KC4	(AC12)	KF16	(BL51)
JV1	(HO6)	KC5	(CK17)	KG1	(BM51)
JV1	(ZA64)	KC6	(CK4)	KG1	(BL23)
JV2	(AC30)	KC7	(CK19)	KG1	(BM23)
JV3	(HP13)	KC8	(CK6)	KG2	(XA13)
JV3	(ZB50)	KC9	(CK9)	KG3	(BL25)
JV4	(LD17)	KC10	(CK8)	KG3	(BM24)
JV4	(LE10)	KC11	(CK12)	KG4	(XA9)
JV5	(LE21)	KC12	(CE27)	KG5	(AA11)
JV7	(KE10)	KC13	(EX7)	KG6	(HA6)
JV8	(KE10)	KC14	(EX10)	KG7	(AA12)
JV10	(CH14)	KC15	(ER46)	KG8	(HA4)
JV10	(CI16)	KC15	(ES46)	KG9	(AA34)
JV10	(ZA60)	KC16	(ER53)	KG10	(AC17)
JV11	(HA6)	KC16	(ES60)	KG11	(EA4)
JV11	(ZA57)	KD1	(CE34)	KG12	(BL44)
JV12	(HE26)	KD2	(CE32)	KG12	(BM44)
JV12	(ZA55)	KD3	(CE34)	KG13	(EA8)
JV13	(KH23)	KD4	(CE32)	KG14	(AC19)
JV13	(ZA54)	KD5	(CE26)	KG15	(AA37)
JV14	(LD10)	KD6	(CN10)	KG16	(AA39)
JV14	(LE11)	KD7	(CN17)	KH1	(CE41)
JV14	(ZA62)	KD8	(CN17)	KH2	(HE6)
JV15	(PA14)	KD9	(CH5)	KH3	(HH12)
JV15	(ZA59)	KD9	(C15)	KH4	(HE9)
JV16	(HA10)	KD10	(CE64)	KH5	(HH14)
JV17	(AC49)	KD11	(NB3)	KH6	(LD5)
JV20	(NB8)	KD12	(NB4)	KH6	(LE6)
JV22	(NB42)	KD12	(NZ3)	KH7	(NA60)
JV22	(NZ43)	KD13	(CE35)	KH8	(LD7)
JV23	(AC62)	KD15	(AC7)	KH8	(LE8)
JV24	(AC63)	KD16	(AC2)	KH9	(NA63)
KA1	(CE9)	KE1	(PA7)	KH10	(LD7)
KA2	(CE12)	KE2	(CE53)	KH10	(LE8)
KA3	(CE14)	KE3	(ME45)	KH11	(LG6)
KA4	(CE15)	KE3	(MF41)	KH12	(AA50)
KA5	(CE9)	KE3	(MG26)	KH13	(HA5)
KA6	(EV10)	KE4	(CE46)	KH14	(HA7)
KA7	(CE14)	KE5	(ME46)	KH15	(CN3)
KA8	(CE15)	KE5	(MF42)	KH16	(CN7)
KA9	(CE19)	KE5	(MG27)	KJ1	(AA42)
KA10	(XA54)	KE6	(CE49)	KJ1	(ZB61)
KA11	(AA39)	KE7	(HG4)	KJ2	(GA23)
KA12	(CG13)	KE8	(CE46)	KJ3	(GA30)
KA13	(AC15)	KE9	(CE56)	KJ4	(EV6)
KA14	(CE37)	KE10	(CE43)	KJ5	(XA52)
KA15	(LO6)	KE11	(CE44)	KJ6	(EV8)
KA16	(LO7)	KE12	(CE64)	KJ7	(FA4)
KA16	(LP10)	KE13	(CE50)	KJ8	(GA25)
KB1	(CE21)	KE14	(AA32)	KJ9	(FA7)
KB2	(CE22)	KE15	(CE62)	KJ10	(GA16)

KJ11	(HK4)	MA3	(AC23)	NF2	(ZA6)
KJ12	(ER12)	MA4	(AC31)	PA1	(AC37)
KJ12	(ES12)	MA5	(AC33)	PA2	(AC38)
KJ13	(ER13)	MA6	(AC52)	PA3	(AC40)
KJ13	(ES12)	MA7	(AA21)	PA4	(AC58)
KJ14	(ER18)	MA8	(BJ51)	PA5	(AC32)
KJ14	(ES18)	MA8	(BL51)	PA6	(AC5)
KJ15	(ER21)	MA8	(BM51)	PA7	(AC14)
KJ15	(ES22)	MA9	(BJ49)	PA8	(AC34)
KJ16	(ER14)	MA9	(BL49)	PA9	(AC60)
KJ16	(ES13)	MA9	(BM49)	PA10	(AC62)
KK1	(CE42)	MA11	(BJ23)	PA11	(AC61)
KK2	(CE41)	MA11	(BL23)	PA12	(AC18)
KK3	(CE38)	MA11	(BM23)	PA13	(AC19)
KK4	(CE37)	MA12	(BJ56)	PA14	(AC15)
KK5	(CE42)	MA12	(BL56)	PA15	(AC55)
KK6	(CE41)	MA12	(BM56)	PA17	(AC59)
KK7	(CE38)	MA12	(ZA13)	PA18	(AC29)
KK8	(CE37)	MA13	(AA50)	PA20	(AC48)
KY1	(TA15)	MA14	(BJ41)	PA21	(AC46)
KY2	(TA15)	MA14	(BL44)	PA23	(AC25)
KYL1	(TA15)	MA14	(BM44)	PA24	(AC63)
KYL2	(TA15)	MA15	(AC4)	PA26	(AC53)
LX1	(NA8)	MB1	(NA24)	PA27	(AC61)
LX2	(NA18)	MB2	(AC9)	PA28	(AC8)
LX3	(NA20)	MB4	(AC12)	PA29	(AC6)
LX4	(NA34)	MB5	(NA31)	PA30	(AC39)
LX5	(NA37)	MB6	(NA29)	PB1	(AC24)
LX6	(NA36)	MB7	(NA30)	PB2	(AC11)
LX7	(NA33)	MB8	(AC7)	PB4	(AC4)
LX8	(NA38)	MB9	(AC7)	PB5	(AC43)
LX9	(NA11)	MB10	(NB20)	PB6	(AC9)
LX9	(ZA10)	MB10	(NZ8)	PB8	(AC23)
LX10	(NA30)	MB11	(NB21)	PB9	(AC20)
LX11	(NA10)	MB11	(NZ10)	PB10	(AC22)
LX12	(NA4)	MB12	(NB22)	PB11	(AC16)
LX12	(ZA4)	MB12	(NZ15)	PB14	(AC56)
LX13	(NA24)	MB13	(NB23)	PB15	(AC17)
LX14	(NA15)	MB13	(NZ13)	PB16	(AC15)
LX15	(NA49)	MB14	(NB50)	PB17	(AC4)
LX16	(NA35)	MB14	(NZ48)	PB18	(AC6)
LX17	(NA8)	MB15	(EA4)	PB19	(AC30)
LX18	(NA9)	MB16	(EA4)	PB20	(AC11)
LX20	(NA4)	MB16	(NZ48)	PB21	(AC9)
LX21	(NA32)	MB16	(ZA52)	PB22	(AC24)
LX22	(NA53)	MG1	(HM14)	PB23	(AC22)
LY1	(NA45)	MG2	(HM14)	PB24	(AC64)
LY3	(NA48)	MG2	(ZA15)	PB26	(AC19)
LY4	(NA51)	MG3	(HO6)	PB27	(AC12)
LY5	(NA56)	MG4	(HO6)	PB28	(AC64)
LY6	(NA54)	MS1	(NB18)	PC1	(AC46)
LY7	(NA42)	MS1	(NZ7)	PC2	(AC38)
LY8	(NA19)	MS2	(NB19)	PC4	(AC26)
LY9	(NA30)	MS2	(NZ9)	PC5	(AC28)
LY10	(NA53)	MS3	(NB24)	PH1	(HC7)
LY11	(NA51)	MS4	(NB25)	PH2	(HC9)
LY12	(NA29)	MT1	(NB20)	PH3	(HC11)
LY14	(NA24)	MT1	(NZ8)	PH4	(HC13)
LY20	(NA44)	MT2	(NB21)	PH5	(HC15)
LY21	(NA25)	MT2	(NZ10)	PH6	(HC17)
LY22	(NA7)	MT3	(NB22)	PH7	(HC20)
LY23	(NA47)	MT3	(NZ11)	PH8	(HC21)
LY25	(NA27)	MT4	(NB23)	PH16	(HC25)
LY26	(NA26)	MT4	(NZ12)	PHA1	(HB9)
LY28	(NA31)	NF1	(NB15)	PHA1	(ZE10)
MA1	(HA13)	NF1	(ZA6)	PHA2	(HB4)
MA2	(AA16)	NF2	(NB15)	PHA2	(ZE5)

PHA3	(HB2)	RX6	(NC13)	SW8	(OB47)
PHA3	(ZE2)	RX7	(NC15)	SW9	(OA45)
PHA3	(ZB5)	RX8	(NC41)	SW9	(OB48)
PHA5	(HB23)	RX9	(NC43)	SW9	(ZB31)
PHA5	(ZE32)	RX10	(NC45)	SW10	(OA53)
PHA6	(HB17)	RX11	(NC36)	SW10	(OB54)
PHA6	(ZE18)	RX12	(NC51)	SW11	(OA54)
PHA7	(HB20)	RX13	(NC35)	SW11	(OB55)
PHA7	(ZE21)	RX14	(NC33)	SW12	(OA53)
PHA8	(HB33)	RX15	(NC27)	SW12	(OB56)
PHA8	(ZB5)	RX15	(ZA9)	SW12	(ZB32)
PHA8	(ZE39)	RX16	(NC14)	SW14	(OA14)
PT1	(LO22)	RX17	(NC10)	SW14	(OB13)
PT1	(LP25)	RX18	(NC11)	SW15	(OA3)
PT2	(LO21)	RX19	(NC39)	SW15	(OB3)
PT2	(LP24)	RX20	(NC49)	SW16	(OA9)
PT3	(LO20)	RX21	(NC16)	SW16	(OB8)
PT3	(LP23)	RX22	(NC37)	SW16	(ZB18)
PT4	(LO19)	RX23	(NC42)	SW16	(ZB34)
PT4	(LP22)	RX24	(NC44)	TA1	(CE50)
RA1	(ZB12)	RX25	(NC50)	TA1	(ZA19)
RA2	(CE19)	RX26	(NC47)	TA2	(CE51)
RA3	(CN14)	RX27	(NC46)	TA3	(CE49)
RA4	(CK9)	RX28	(NC34)	TA4	(GA16)
RA5	(CN15)	RX29	(NC29)	TA5	(GA15)
RA6	(CE26)	RX30	(NC31)	TA6	(CH5)
RA7	(EA9)	SP1	(LO62)	TA6	(CI5)
RA8	(CG13)	SP2	(LO63)	TA7	(CN9)
RA10	(EA24)	SP4	(LO62)	TA8	(CE14)
RA11	(CK14)	SS1	(OA26)	TA9	(CG6)
RA12	(NA18)	SS1	(OB27)	TA10	(FA7)
RA13	(NA18)	SS2	(OA27)	TA11	(FA7)
RA14	(LG23)	SS2	(OB28)	TA13	(NB36)
RA15	(HB4)	SS3	(OA34)	TA13	(NZ35)
RA15	(HC5)	SS3	(OB35)	TA14	(PA4)
RA15	(ZE4)	SS4	(OA35)	TA15	(PA5)
RA16	(HB2)	SS4	(OB36)	TA16	(PA7)
RA16	(HC2)	SS5	(OA42)	TACHO1:1	(ZD10)
RA16	(ZE2)	SS5	(OB43)	TACHO1:2	(ZD10)
RC1	(CE62)	SS6	(OA43)	TACHO2:1	(ZD13)
RC1	(ZB7)	SS6	(OB44)	TACHO2:2	(ZD13)
RC2	(CE22)	SS7	(OA50)	TB1	(CE54)
RC3	(CN5)	SS7	(OB51)	TB1	(ZB4)
RC4	(CK17)	SS8	(OA51)	TB2	(CE55)
RC5	(CN7)	SS8	(OB52)	TB3	(CE53)
RC6	(CE24)	ST1	(OA22)	TB4	(GA21)
RC7	(CG21)	ST1	(OB21)	TB5	(GA19)
RC8	(CE57)	ST2	(OA18)	TB6	(CH6)
RC8	(ZB8)	ST2	(OB17)	TB6	(CI6)
RC10	(EA17)	ST2	(ZB12)	TB7	(CN10)
RC11	(XA43)	SW1	(OA29)	TB8	(CE32)
RC12	(XA53)	SW1	(OB31)	TB9	(CG8)
RC13	(XA47)	SW2	(OA31)	TB10	(FA4)
RC14	(CG19)	SW2	(OB31)	TB11	(FA4)
RC15	(CN12)	SW3	(OA29)	TB14	(PA10)
RC16	(CN17)	SW3	(OB32)	TB15	(PA11)
RG1	(LO59)	SW3	(ZB28)	TB16	(PA13)
RG2	(LO58)	SW4	(OA37)	TC1	(GA5)
RG4	(LO58)	SW4	(OB38)	TC2	(GA3)
RL1	(LO54)	SW5	(OA38)	TC3	(GA9)
RL2	(LO52)	SW5	(OB39)	TC4	(GA5)
RL4	(LO54)	SW6	(OA37)	TC4	(ZA44)
RX1	(NC27)	SW6	(OB40)	TD3	(GA32)
RX2	(NC13)	SW6	(ZB29)	TD3	(ZA22)
RX3	(NC6)	SW7	(OA45)	TD5	(GA31)
RX4	(NC3)	SW7	(OB46)	TD6	(GA33)
RX5	(NC14)	SW8	(OA46)	TD7	(GA29)

TD8	(GA30)	XA1	(XA3)	XB2	(XA45)
VG1	(LO27)	XA2	(XA5)	XB3	(CE58)
VG2	(LO29)	XA3	(TA3)	XB4	(XA45)
VG3	(LO30)	XA3	(TA6)	XB4	(ZA42)
VG4	(LO29)	XA3	(XA7)		
XA1	(TA4)	XB1	(XA43)		
XA1	(TA7)				

List of components

24	Connector, socket/diagnostics (AC39)	77	Plug socket, 7-unit (CE22)
24	Connector, socket/diagnostics (KE8)	77	Plug socket, 7-unit (CE24)
24	Connector, socket/diagnostics (NX15)	77	Plug socket, 7-unit (CE60)
24: 8	Connector, socket/diagnostics (ZA4)	77	Plug socket, 7-unit (CG21)
26	Connector, gearbox (LP34)	77	Plug socket, 7-unit (CK17)
30	Battery (ZA43)	77	Plug socket, 7-unit (CN5)
30 A	Battery (AA8)	77	Plug socket, 7-unit (CN7)
30 A	Battery (ZD4)	77	Plug socket, 7-unit (ZB7)
30 B	Battery (AA8)	78	Extra plug socket, 7-unit (CE58)
30 B	Battery (ZD4)	78	Extra plug socket, 7-unit (CG19)
32	Circuit card, electrical centre (AA10)	78	Extra plug socket, 7-unit (EA17)
32	Circuit card, electrical centre (AA31)	78	Extra plug socket, 7-unit (OA11)
32	Circuit card, electrical centre (AA32)	78	Extra plug socket, 7-unit (OB10)
32	Circuit card, electrical centre (ZD21)	78	Extra plug socket, 7-unit (PD16)
34	Connector (AA4)	78	Extra plug socket, 7-unit (XA43)
34	Connector (EN6)	78	Extra plug socket, 7-unit (XA47)
34	Connector (TA8)	78	Extra plug socket, 7-unit (XA53)
34	Connector (ZD21)	78	Extra plug socket, 7-unit (ZB8)
36	Connector, tail lamp junction box (CE22)	79	Plug socket, ABS/EBS (OA3)
36	Connector, tail lamp junction box (CE24)	79	Plug socket, ABS/EBS (OA9)
36	Connector, tail lamp junction box (CE60)	79	Plug socket, ABS/EBS (OA14)
36	Connector, tail lamp junction box (CG19)	79	Plug socket, ABS/EBS (OA18)
36	Connector, tail lamp junction box (CG21)	79	Plug socket, ABS/EBS (OA22)
36	Connector, tail lamp junction box (CK14)	79	Plug socket, ABS/EBS (OB3)
36	Connector, tail lamp junction box (CK17)	79	Plug socket, ABS/EBS (OB8)
36	Connector, tail lamp junction box (CN5)	79	Plug socket, ABS/EBS (OB13)
36	Connector, tail lamp junction box (CN7)	79	Plug socket, ABS/EBS (OB17)
36	Connector, tail lamp junction box (CN12)	79	Plug socket, ABS/EBS (OB21)
36	Connector, tail lamp junction box (EA17)	79:3	Plug socket, ABS/EBS (ZB18)
36	Connector, tail lamp junction box (EN17)	79:3	Plug socket, ABS/EBS (ZB34)
36	Connector, tail lamp junction box (PD16)	79:4	Plug socket, ABS/EBS (ZB12)
36	Connector, tail lamp junction box (XA43)	100	Switch, headlights (CE36)
36	Connector, tail lamp junction box (XA47)	101	Switch, full beams and dipped beams (CE61)
36	Connector, tail lamp junction box (XA53)	101	Switch, full beams and dipped beams (ZA57)
42	Joint sleeve (ZA19)	102	Switch, fog lights (CG21)
42	Joint sleeve (ZA35)	102	Switch, fog lights (ZA42)
42	Joint sleeve (ZA46)	103	Switch, spot lights (CH11)
42	Joint sleeve (ZA50)	103	Switch, spot lights (CI13)
42	Joint sleeve (ZB4)	103	Switch, spot lights (ZA60)
42	Joint sleeve (ZB5)	104	Switch, loading lights (ED9)
42	Joint sleeve (ZB16)	104	Switch, loading lights (ZA42)
42	Joint sleeve (ZB36)	109	Switch, hazard warning lights (CN17)
42	Joint sleeve (ZB53)	109	Switch, hazard warning lights (ZA42)
42 A	Joint sleeve (ZB12)	111 DD	Switch, window winder (KA26)
42 A	Joint sleeve (ZB44)	111 DP	Switch, window winder (KA7)
42 CL 1:2B	Joint sleeve (ZA32)	111 P	Switch, window winder (KA15)
42 I 1:1	Joint sleeve (ZA5)	111 DD	Switch, window winder (ZA48)
42 I 1:3A	Joint sleeve (ZA42)	111 DP	Switch, window winder (ZA48)
42 I 1:3B	Joint sleeve (ZA57)	111 P	Switch, window winder (ZB37)
42 I 2:4A	Joint sleeve (ZB39)	112	Switch, air conditioning (HA19)
42 I 2:4B	Joint sleeve (ZB49)	112	Switch, air conditioning (ZA57)
42 I HEAT	Joint sleeve (ZB2)	112 ATC	Switch, air conditioning (HA5)
42 MB	Joint sleeve (ZA52)	112 ATC	Switch, air conditioning (ZA57)
53 A	Fuse holder 3-unit (HM9)	116 A	Switch, interior light (ES27)
53 A	Fuse holder 3-unit (HP4)	116 A	Switch, interior light (ZA5)
53 B	Fuse holder 3-unit (OG3)	116 A	Switch, interior light (ZA26)
56 A	Fuse holder 6-unit (TA9)	116 B	Switch, interior light (ER37)
56 A	Fuse holder 6-unit (XA18)	116 B	Switch, interior light (ES35)
56 B	Fuse holder 6-unit (LO6)	116 B	Switch, interior light (ZA18)
56 B	Fuse holder 6-unit (LP7)	116 B	Switch, interior light (ZA19)
56 P	Fuse holder, 6-unit (XA31)	118	Switch, fan (HA13)
56 X	Fuse holder, 6-unit (EN4)	119	Switch, windscreen wiper (GA25)
56 X	Fuse holder, 6-unit (XA44)	123	Switch, heated rearview mirror (HG12)
56 ABS	Fuse holder, 6-unit (OA14)	123	Switch, heated rearview mirror (ZA42)
56 ABS	Fuse holder, 6-unit (OB12)	125	Switch, exhaust brake (AC46)

125	Switch, exhaust brake (ZB49)	211	Closing contact, indicator light, bogie lift (MA16)
126	Switch, diff. lock wheels, rear (LG18)	211	Closing contact, indicator light, bogie lift (MD29)
127	Switch, diff. lock inter axles (LG6)	214	Closing contact, indicator light, low split (NB50)
127	Switch, diff. lock inter axles (ZB49)	214	Closing contact, indicator light, low split (NZ48)
132	Switch, roof sign light (EJ4)	214	Closing contact, indicator light, low split (ZA52)
132	Switch, roof sign light (EK4)	216 A	Closing contact, brake lights (CK8)
132	Switch, roof sign light (ZA32)	216 A	Closing contact, brake lights (ZB44)
133	Switch, bogie lift (LJ11)	216 B	Closing contact, brake lights (CK4)
133	Switch, bogie lift (MA5)	216 B	Closing contact, brake lights (ZB42)
133	Switch, bogie lift (MD4)	216 C	Closing contact, brake lights (CK4)
133	Switch, bogie lift (ME40)	217	Closing contact, reversing lights (EA4)
133	Switch, bogie lift (ZB55)	217	Closing contact, reversing lights (PD3)
144	Switch, battery master switch (AA8)	217	Closing contact, reversing lights (ZA52)
144	Switch, battery master switch (ZA4)	218	Break contact, exh-pressure governor (AC16)
144	Switch, battery master switch (ZA43)	218	Break contact, exh-pressure governor (ZB39)
147	Switch, direction indicators (CN7)	223	Slip contact, horn (FA7)
149	Switch, horn (FA6)	223	Slip contact, horn (ZA56)
149	Switch, horn (ZA55)	228 L	Closing contact, cab lock (NA40)
150	Switch, starting switch (AA15)	228 L	Closing contact, cab lock (ZA35)
157	Switch, air horn (FA9)	228 R	Closing contact, cab lock (NA42)
157	Switch, air horn (ZA55)	228 R	Closing contact, cab lock (ZA35)
172	Switch, extra (EN10)	258	Break contact, thermal, bogie lift (ZA47)
172	Switch, extra (TA5)	2003	Thermostat, parking heater (HB11)
179	Switch, 3rd axle lock (LJ28)	2003	Thermostat, parking heater (HC27)
179	Switch, 3rd axle lock (LL10)	2003	Thermostat, parking heater (ZB7)
1101	Switch, parking heater (ZE23)	2003	Thermostat, parking heater (ZE12)
1101	Switch, parking heater (ZG13)	2003	Thermostat, parking heater (ZG27)
1105	Switch, levelling control, headlights (PA10)	2004 L	Break contact, lighting luggage compartment (ER53)
1105	Switch, levelling control, headlights (ZA59)		
1107	Switch, door lock (KH16)	2004 L	Break contact, lighting luggage compartment (ES60)
1107	Switch, door lock (ZA46)		
1122	Switch, retarder (AC52)	2007	Break contact, clutch pedal (AC34)
1132 D	Switch, el. operated rearview mirror (HH11)	2008	Break contact, brake pedal (AC32)
1132 D	Switch, el. operated rearview mirror (ZA50)	2018	Contact, oil pressure, power steering (NB36)
1132 P	Switch, el. operated rearview mirror (HH5)	2018	Contact, oil pressure, power steering (NZ35)
1132 P	Switch, el. operated rearview mirror (ZA50)	2018	Contact, oil pressure, power steering (ZA21)
1135	Switch, cruise control (AC40)	2019	Contact, lock, seat belt (NB47)
1146	Switch, snooze function/radio (ER37)	2019	Contact, lock, seat belt (NZ47)
1146	Switch, snooze function/radio (ES39)	2019	Contact, lock, seat belt (ZA28)
1146	Switch, snooze function/radio (ZA22)	2020	Contact, bunk lock (ZA41)
1147 A	Switch, cab tilt pump (HP11)	2020 L	Contact, bunk lock (ES54)
1147 A	Switch, cab tilt pump (ZB50)	2020 R	Contact, bunk lock (ES53)
1147 B	Switch, cab tilt pump (HP10)	2067	Closing contact, indicator lamp/air pressure (LO34)
1148	Switch, storage compartment lighting (EV4)	2074	Contact, low range (AC9)
1149	Switch, PTO (ZA62)	301	Relay, fog lights (CG5)
1149 1	Switch, PTO (LD7)	302	Relay, spot lights (CH5)
1149 1	Switch, PTO (LE8)	302	Relay, spot lights (CI5)
1149 2	Switch, PTO (LE19)	303	Relay, loading lights (ED6)
1150	Switch, fuel filter heater (HM7)	303	Relay, loading lights (ZB49)
1150	Switch, fuel filter heater (ZA64)	305	Relay, reversing lights (EA8)
1152	Switch, multi-function display (NA33)	305	Relay, reversing lights (PD5)
200	Break contact, warning light, parking brake (NB56)	306	Relay, full beams (CE55)
200	Break contact, warning light, parking brake (NZ54)	307	Relay, dipped beams (CE48)
200	Break contact, warning light, parking brake (ZB39)	308	Relay, brake lights (CK8)
205 D	Break contact, interior light (ER5)	308 B	Relay, brake lights (CK15)
205 D	Break contact, interior light (ES5)	309 L	Relay, parking lights (CE19)
205 D	Break contact, interior light (ZA48)	309 L	Relay, parking lights (ZB61)
205 P	Break contact, interior light (ER16)	309 R	Relay, parking lights (CE26)
205 P	Break contact, interior light (ES17)	309 R	Relay, parking lights (ZB61)
205 P	Break contact, interior light (ZB36)	312	Relay, starting heater (BJ51)
207	Closing contact, indicator light, diff. lock, rear wheels (LG23)	312	Relay, starting heater (BL51)
207	Closing contact, indicator light, diff. lock, rear wheels (ZB14)	312	Relay, starting heater (BM51)
207 R	Closing contact, indicator light, diff. lock, rear wheels (LG18)	313	Relay, bogie lift motor (MA23)
207 R	Closing contact, indicator light, diff. lock, rear wheels (ZB10)	313	Relay, bogie lift motor (MD33)
		314 A	Relay, bogie lift (LJ6)
		314 A	Relay, bogie lift (MA15)
		314 A	Relay, bogie lift (MD17)

314 B	Relay, bogie lift (LJ11)	3073	Relay, Geartronic 1 (LP4)
314 B	Relay, bogie lift (ZB24)	3073	Relay, Geartronic 1 (ZA12)
314 D	Relay, bogie lift (MD9)	3075	Relay, central lock (KH12)
314 D	Relay, bogie lift (ZB55)	3075	Relay, central lock (ZA54)
315	Relay, starting switch (ZB61)	3076	Relay, adjustable seat (HE18)
315 R	Relay, starting switch (AA42)	3076	Relay, adjustable seat (ZA55)
317	Relay, headlamp wiper (GA16)	3101	Relay, interior lighting (ER12)
317	Relay, headlamp wiper (ZB39)	3101	Relay, interior lighting (ES12)
321	Relay, interval wipe (GA27)	3101	Relay, interior lighting (ZB60)
323	Relay, flasher unit (CN3)	3102	Relay, cab tilt pump (HP10)
323	Relay, flasher unit (ZB29)	3102A	Relay, cab tilt pump (NB56)
326 X	Relay, extra fuse holder (XA13)	3102A	Relay, cab tilt pump (NZ54)
326 X	Relay, extra fuse holder (ZB49)	3103	Relay, fuel filter heater (HM7)
327	Relay, heated rearview mirror (HG4)	3109	Relay, range restriction (AC11)
343	Relay, fog lights, rear (CG12)	3111	Relay, refrigerator (TA13)
345	Relay, start inhibitor (LO12)	3113	Relay, Central lubrication system (TB4)
345	Relay, start inhibitor (LP13)	3113	Relay, Central lubrication system (ZB39)
348 A	Relay, fan (HA6)	400 L	Bulb, full beams and dipped beams (CE49)
348 A	Relay, fan (ZB63)	400 L	Bulb, full beams and dipped beams (ZA21)
348 B	Relay, fan (HB37)	400 R	Bulb, full beams and dipped beams (CE53)
348 B	Relay, fan (HC35)	400 R	Bulb, full beams and dipped beams (ZB2)
348 B	Relay, fan (ZB2)	401 L	Bulb, fog lights (CG6)
348 B	Relay, fan (ZE33)	401 L	Bulb, fog lights (ZA19)
348 B	Relay, fan (ZG35)	401 R	Bulb, fog lights (CG8)
356	Relay, dipped beams (CE40)	401 R	Bulb, fog lights (ZB4)
360	Relay, engage inhibitor, power take-off (LD3)	402 L	Bulb, spot lights (CH5)
360	Relay, engage inhibitor, power take-off (LE4)	402 L	Bulb, spot lights (CI5)
360	Relay, engage inhibitor, power take-off (ZB60)	402 L	Bulb, spot lights (ZA21)
363	Relay, extra equipment (EN8)	402 R	Bulb, spot lights (CH6)
364	Operating controls, bogie lift (MA15)	402 R	Bulb, spot lights (CI6)
364	Operating controls, bogie lift (MD17)	402 R	Bulb, spot lights (ZB6)
365 D	Relay, electrical window winder, up (KA20)	403	Bulb, loading light (ED6)
365 D	Relay, electrical window winder, up (ZB34)	403	Bulb, loading light (ZA37)
365 P	Relay, electrical window winder, up (KA3)	404	Bulb, fifth wheel light (ED3)
365 P	Relay, electrical window winder, up (ZB34)	404	Bulb, fifth wheel light (ZA37)
366 D	Relay, electrical window winder, down (KA32)	405 L	Bulb, reversing lights (EA8)
366 D	Relay, electrical window winder, down (ZB34)	405 L	Bulb, reversing lights (PD6)
366 P	Relay, electrical window winder, down (KA13)	405 L	Bulb, reversing lights (ZB14)
366 P	Relay, electrical window winder, down (ZB34)	405 R	Bulb, reversing lights (EA9)
379	Relay, injection pump (AC17)	405 R	Bulb, reversing lights (PD8)
397	Relay, retarder 1 (OG12)	405 R	Bulb, reversing lights (ZB20)
398	Relay, retarder 2 (OG5)	408	Bulb, parking light, left front (CE14)
3005	Alternator-controlled relay (AA52)	408	Bulb, parking light, left front (ZB6)
3005	Alternator-controlled relay (ZB63)	409	Bulb, parking light, right front (CE32)
3017	Time relay, axle-load limiter (MD16)	409	Bulb, parking light, right front (ZA19)
3017	Time relay, axle-load limiter (ZB53)	410	Bulb, brake light, left (CK9)
3018	Relay, control unit parking heater (HC5)	410	Bulb, brake light, left (ZB12)
3018	Relay, control unit parking heater (ZG3)	411	Bulb, brake light, right (CK12)
3018 A3	Relay, control unit parking heater (ZB2)	411	Bulb, brake light, right (ZB18)
3019 A	Relay box, air suspension (ME26)	412	Bulb, tail light, left (CE18)
3019 A	Relay box, air suspension (MF26)	412	Bulb, tail light, left (ZB12)
3019 A	Relay box, air suspension (MG13)	413	Bulb, tail light, right (CE26)
3019 B	Relay box, air suspension (ME45)	413	Bulb, tail light, right (ZB18)
3019 B	Relay box, air suspension (MF41)	414	Bulb, side marker light, left, front (CE12)
3019 B	Relay box, air suspension (MG26)	414	Bulb, side marker light, left, front (ZA19)
3023	Relay, information ABS (CL12)	415	Bulb, side marker light, right, front (CE34)
3023	Relay, information ABS (OA13)	415	Bulb, side marker light, right, front (ZB6)
3023	Relay, information ABS (OB12)	416	Bulb, side marker light, left, centre (CE17)
3023	Relay, information ABS (ZB15)	416	Bulb, side marker light, left, centre (ZB13)
3023	Relay, information ABS (ZB27)	417	Bulb, side marker light, right, centre (CE29)
3023	Relay, information ABS (ZB49)	417	Bulb, side marker light, right, centre (ZB19)
3030	Relay, stop (PD23)	420	Bulb, position light, roof, left (CE37)
3070 A	Relay, locking, 3rd axle (LJ23)	420	Bulb, position light, roof, left (ZA31)
3070 A	Relay, locking, 3rd axle (LL5)	421	Bulb, position light, roof, right (CE9)
3070 B	Relay, locking, 3rd axle (LJ32)	421	Bulb, position light, roof, right (ZA30)
3070 B	Relay, locking, 3rd axle (LL16)	422	Bulb, dir. indicator, left, front (CN9)
3073	Relay, Geartronic 1 (LO4)	422	Bulb, dir. indicator, left, front (ZA21)

423	Bulb, dir. indicator, right, front (CN10)	508	Warning light, parking brake (NB55)
423	Bulb, dir. indicator, right, front (ZB4)	508	Warning light, parking brake (NZ54)
426	Bulb, dir. indicator, left, rear (CN14)	510	Indicator light, diff. lock, rear wheels (NB38)
426	Bulb, dir. indicator, left, rear (ZB14)	510	Indicator light, diff. lock, rear wheels (NZ38)
427	Bulb, dir. indicator, right, rear (CN15)	511	Indicator light, diff. lock, inter-axes (NB38)
427	Bulb, dir. indicator, right, rear (ZB20)	511	Indicator light, diff. lock, inter-axes (NZ38)
428	Bulb, rotating warning lamp (EN8)	547	Central warning for indicator and warning lights (NB42)
429	Bulb, cigarette lighter lighting (EV10)		
430	Bulb, licence plate light (CE28)	547	Central warning for indicator and warning lights (NZ44)
430	Bulb, licence plate light (ZB18)		
433 D	Bulb, instep light (ER4)	5009	Indicator lamp, vehicle, ABS (NB52)
433 D	Bulb, instep light (ES4)	5009	Indicator lamp, vehicle, ABS (NZ51)
433 D	Bulb, instep light (ZA46)	5010	Indicator lamp, trailer, ABS (NB54)
433 P	Bulb, instep light (ER19)	5010	Indicator lamp, trailer, ABS (NZ53)
433 P	Bulb, instep light (ES19)	5014	Indicator lamp, split (NB49)
433 P	Bulb, instep light (ZB36)	5014	Indicator lamp, split (NZ48)
434 C	Bulb, interior light (ER26)	5032	Warning lamp, seat belt (NB46)
434 C	Bulb, interior light (ES31)	5032	Warning lamp, seat belt (NZ47)
434 C	Bulb, interior light (ZA22)	5035	Warning lamp, steering servo circuit 2 (PSS-DUAL) (NB35)
434 L	Bulb, interior light (ER8)		
434 L	Bulb, interior light (ES8)	5035	Warning lamp, steering servo circuit 2 (PSS-DUAL) (NZ35)
434 L	Bulb, interior light (ZA38)		
434 R	Bulb, interior light (ER13)		
434 R	Bulb, interior light (ES13)	600 A	Solenoid valve, exhaust brake (BN44)
434 R	Bulb, interior light (ZA38)	600 B	Solenoid valve, exhaust brake (BN46)
435 LC	Bulb, bunk light (ES23)	601	Solenoid valve, diff. lock, rear wheels (LG7)
435 LC	Bulb, bunk light (ZA35)	601	Solenoid valve, diff. lock, rear wheels (ZB44)
435 LL	Bulb, bunk light (ER43)	602	Solenoid valve, diff. lock inter axles (LG5)
435 LL	Bulb, bunk light (ES40)	602	Solenoid valve, diff. lock inter axles (ZB45)
435 LL	Bulb, bunk light (ZA19)	603	Solenoid valve, engine shut-down (BJ26)
435 LU	Bulb, bunk light (ES36)	603	Solenoid valve, engine shut-down (BM26)
435 LU	Bulb, bunk light (ZA19)	606	Solenoid valve, bogie lift, up (MA5)
435 RC	Bulb, bunk light (ES27)	606	Solenoid valve, bogie lift, up (MD5)
435 RC	Bulb, bunk light (ZA36)	606	Solenoid valve, bogie lift, up (ZA47)
435 RL	Bulb, bunk light (ER46)	606 NC	Solenoid valve, bogie lift, up (LJ13)
435 RL	Bulb, bunk light (ES43)	606 NO	Solenoid valve, bogie lift, up (LJ8)
435 RL	Bulb, bunk light (ZA22)	614	Solenoid valve, range inhibitor (AC7)
435 RU	Bulb, bunk light (ES46)	626	Solenoid valve, exh. pressure governor (BJ41)
435 RU	Bulb, bunk light (ZA19)	626	Solenoid valve, exh. pressure governor (BL44)
437 C	Bulb, identification light, front (CE3)	626	Solenoid valve, exh. pressure governor (BM41)
437 C	Bulb, identification light, front (ZA24)	646	Solenoid valve, 3rd axle lock (LJ28)
437 L	Bulb, identification light, front (CE3)	646	Solenoid valve, 3rd axle lock (LL10)
437 L	Bulb, identification light, front (ZA24)	650	Windscreen wiper motor (GA29)
437 R	Bulb, identification light, front (CE3)	650	Windscreen wiper motor (ZA22)
437 R	Bulb, identification light, front (ZA24)	651	Windscreen washer motor (GA3)
440	Bulb, heater control light (CE39)	651	Windscreen washer motor (ZA44)
440	Bulb, heater control light (ZB50)	652 L	Headlamp wiper motor (GA15)
447	Bulb, ashtray light (EV13)	652 L	Headlamp wiper motor (ZA19)
447	Bulb, ashtray light (ZA25)	652 R	Headlamp wiper motor (GA19)
450	Bulb, roof sign light (EN16)	652 R	Headlamp wiper motor (ZB4)
451	Bulb, rear fog light, left (CG13)	653	Headlamp washer motor (GA9)
451	Bulb, rear fog light, left (ZB12)	653	Headlamp washer motor (ZA44)
452	Bulb, rear fog light, right (CG15)	654	Starter motor (AA14)
452	Bulb, rear fog light, right (ZB18)	654	Starter motor (ZA45)
468	Fluorescent tube, roof lighting (EJ14)	656	Bogie lift motor (MA23)
468 L	Fluorescent tube, roof lighting (EK14)	656	Bogie lift motor (MD33)
468 R	Fluorescent tube, roof lighting (EK14)	657	Fan (heater) (HA17)
4052 L	Combination lamp, rear (ZB12)	657	Fan (heater) (ZB14)
4052 R	Combination lamp, rear (ZB18)	657 ATC	Fan (heater) (HA17)
4057	Lighting, storage compartment (ER53)	660	Alternator with charging regulator (AA22)
4057	Lighting, storage compartment (ES60)	660	Alternator with charging regulator (ZA49)
500	Indicator light, dir. indicator, tractor (NB40)	660	Alternator with charging regulator (ZD21)
500	Indicator light, dir. indicator, tractor (NZ39)	661 D	Window winder motor (KA26)
501	Indicator light, dir. indicator, trailer 1 (NB41)	661 P	Window winder motor (KA8)
501	Indicator light, dir. indicator, trailer 1 (NZ41)	6013 LF	Solenoid control valve, ABS (OA29)
504	Indicator light, full beams (NB44)	6013 LF	Solenoid control valve, ABS (OB31)
504	Indicator light, full beams (NZ45)	6013 LF	Solenoid control valve, ABS (ZB28)

6013 LR	Solenoid control valve, ABS (OA45)	753 B	Engine, speed sensor (BL9)
6013 LR	Solenoid control valve, ABS (OB46)	754	Pressure sensor air (AC19)
6013 LR	Solenoid control valve, ABS (ZB31)	754	Pressure sensor air (OG20)
6013 RF	Solenoid control valve, ABS (OA37)	756	Temperature sensor, coolant (BJ26)
6013 RF	Solenoid control valve, ABS (OB38)	756	Temperature sensor, coolant (BL21)
6013 RF	Solenoid control valve, ABS (ZB29)	756	Temperature sensor, coolant (BM26)
6013 RR	Solenoid control valve, ABS (OA53)	757	Fuel gauge sensor (NA17)
6013 RR	Solenoid control valve, ABS (OB54)	758	Gearbox, speed sensor (LO61)
6013 RR	Solenoid control valve, ABS (ZB32)	759	Level indicator, coolant (BJ16)
6018	Solenoid valve, retarder (LP60)	759	Level indicator, coolant (BL17)
6018	Solenoid valve, retarder (OG19)	759	Level indicator, coolant (BM17)
6024	Solenoid valve, pto (LD6)	762	Oil temperature sensor, gearbox (LO37)
6024	Solenoid valve, pto (LP31)	767	Oil temperature sensor, torque converter (LP30)
6024	Solenoid valve, pto (ZB42)	7004	Refrigerator (TA15)
6024 A	Solenoid valve, pto (LE8)	7008	Air-operated horn (FA4)
6024 A	Solenoid valve, pto (ZB39)	7009	Alarm clock/timer (ER30)
6024 B	Solenoid valve, pto (LE18)	7009	Alarm clock/timer (ES32)
6024 B	Solenoid valve, pto (ZB41)	7009	Alarm clock/timer (HB30)
6025	Solenoid valve, low range (LO59)	7009	Alarm clock/timer (HC13)
6026	Solenoid valve, high range (LO58)	7009	Alarm clock/timer (ZA19)
6027	Solenoid valve, clutch disengaged, slow (LO45)	7010	Display, monitor, Dynafleet (NX10)
6028	Solenoid valve, clutch disengaged, fast (LO47)	7052	Sensor, speedometer (NB21)
6029	Solenoid valve, clutch engaged, fast (LO48)	7052	Sensor, speedometer (NZ10)
6035 C	Solenoid valve, level control, electronic (ME13)	7053	Inductive sensor, bogie lift (MD9)
6035 C	Solenoid valve, level control, electronic (MF13)	7053	Inductive sensor, bogie lift (ZB55)
6035 C	Solenoid valve, level control, electronic (MG7)	7057 LF	Sensor, wheel speed (OA26)
6035 LF	Solenoid valve, level control, electronic (ME8)	7057 LF	Sensor, wheel speed (OB27)
6035 LF	Solenoid valve, level control, electronic (MF8)	7057 LR	Sensor, wheel speed (OA42)
6038	Solenoid valve, clutch, slow (LO44)	7057 LR	Sensor, wheel speed (OB43)
6039	Solenoid valve, low split (LO63)	7057 RF	Sensor, wheel speed (OA34)
6040	Solenoid valve, high split (LO62)	7057 RF	Sensor, wheel speed (OB35)
6045	Solenoid valve, trailing axle (ME21)	7057 RR	Sensor, wheel speed (OA50)
6048 A	Solenoid valve block, gearbox (LO28)	7057 RR	Sensor, wheel speed (OB51)
6048 B	Solenoid valve block, gearbox (LO53)	7058 ATC	Sensor, inner temperature (HA22)
6050	Solenoid valve, range restriction (AC12)	7059	Sensor, outer temperature (NA26)
6050	Solenoid valve, range restriction (ZA53)	7060 SEROT	Sensor, temperature, retarder (OG25)
6052	Fan motor, parking heater (HB13)	7060 SERWT	Sensor, temperature, retarder (OG28)
6052	Fan motor, parking heater (HC18)	7064	Sensor, air pressure-air suspension (ME25)
6054	Fuel pump, parking heater (HB2)	7065	Sensor, accelerator pedal (AC22)
6054	Fuel pump, parking heater (HC2)	7065 A	Sensor, accelerator pedal (AC28)
6054	Fuel pump, parking heater (ZE3)	7068	Sensor, clutch position (LO40)
6054	Fuel pump, parking heater (ZG3)	7069	Sensor, battery charging (NA29)
6055	Coolant pump, parking heater (HC22)	7072 LF	Sensor, level control (ME11)
6056	Motor, levelling control, headlights (PA10)	7072 LF	Sensor, level control (MF11)
6056	Motor, levelling control, headlights (PA4)	7072 LR	Sensor, level control (ME16)
6058 D	Motor, door lock (KH17)	7072 LR	Sensor, level control (MF16)
6058 D	Motor, door lock (ZA50)	7072 RR	Sensor, level control (ME21)
6058 P	Motor, door lock (KH8)	7072 RR	Sensor, level control (MF21)
6058 P	Motor, door lock (ZB36)	7072 RR	Sensor, level control (MG8)
6070	Motor, cab tilt pump (HP10)	7073	Sensor, needle indicator (BJ13)
6070	Motor, cab tilt pump (ZA8)	7077	Sensor, gear position (LO49)
6071	Injection pump (BJ45)	7078	Sensor, gear position (rear position) (LO52)
6071	Injection pump (BN45)	7079	Sensor, split position (LO55)
6072	Unit injectors, UI (BL29)	7080	Sensor, range position (LO58)
6073	Pump, chassis lubrication, automatic (TB6)	7081	Sensor, boost pressure and boost temperature (BL13)
6073	Pump, chassis lubrication, automatic (ZB38)	7081	Sensor, boost pressure and boost temperature (BJ18)
6103	Solenoid valve, compressor (AC4)	7081	Sensor, boost pressure and boost temperature (BM18)
702	Combined instrument (NA4)	7082	Sensor, oil pressure and oil temperature (BJ29)
702	Combined instrument (NB7)	7082	Sensor, oil pressure and oil temperature (BL23)
702	Combined instrument (NC3)	7082	Sensor, oil pressure and oil temperature (BM29)
702	Combined instrument (NZ15)	7083	Sensor, fuel pressure and fuel pump (BJ3)
702 A5	Combined instrument (ZA6)	7083	Sensor, fuel pressure and fuel pump (BL3)
702 A6	Combined instrument (ZA7)	7083	Sensor, fuel pressure and fuel pump (BM3)
753 A	Engine, speed sensor (BJL6)		
753 A	Engine, speed sensor (BL6)		
753 A	Engine, speed sensor (BM6)		
753 B	Engine, speed sensor (BJ9)		

7084	Sensor, air filter pressure and air filter temperature (BJ8)	902 LF	Loudspeaker (JA6)
7084	Sensor, air filter pressure and air filter temperature (BL8)	902 LR	Loudspeaker (JA18)
7084	Sensor, air filter pressure and air filter temperature (BM8)	902 RF	Loudspeaker (JA9)
800	Starting heater (BJ58)	902 RR	Loudspeaker (JA21)
800	Starting heater (BL57)	913	Mobile telephone (ZB26)
800	Starting heater (BM57)	917	Aerial (AA28)
800	Starting heater (ZA51)	952	Magnetic clutch, air conditioning (HA13)
802 L	Heated rearview mirror (HG4)	961	Engine/cab heater (HB8)
802 L	Heated rearview mirror (ZA27)	961	Engine/cab heater (HC7)
802 R	Heated rearview mirror (HG9)	961	Engine/cab heater (ZB4)
802 R	Heated rearview mirror (ZB21)	961	Engine/cab heater (ZE8)
803	Heated seat (HE7)	972 L	Lock, bunk (ES58)
803	Heated seat (HE12)	9001	Pressure monitor, bogie lift (LJ5)
803 L	Heated seat (ZA30)	9006	Glow plug, parking heater (HB28)
803 R	Heated seat (ZA32)	9006	Glow plug, parking heater (HC16)
804	Cigarette lighter (ER49)	9006	Glow plug, parking heater (ZE28)
804	Cigarette lighter (ES49)	9008	Control unit, ABS (OA26)
804	Cigarette lighter (EV8)	9008	Control unit, ABS (OB25)
804	Cigarette lighter (ZA22)	9008	Control unit, ABS (ZB16)
804	Cigarette lighter (ZA25)	9008:4	Control unit, ABS (ZB10)
805	Rheostat (NB20)	9008:9	Control unit, ABS (ZB10)
805	Rheostat (NZ20)	9008:11	Control unit, ABS (ZB20)
810	Heated air dryer (HK4)	9008:12	Control unit, ABS (ZB22)
810	Heated air dryer (ZB24)	9009	Control box, air suspension, rigids (ME33)
812 D	El. operated rearview mirror (HH10)	9009	Control box, air suspension, rigids (MF33)
812 D	El. operated rearview mirror (ZA27)	9009	Control box, air suspension, rigids (ZB58)
812 P	El. operated rearview mirror (HH4)	9010	Control box, air suspension, tractors (ME44)
850	Horn (FA7)	9010	Control box, air suspension, tractors (MF43)
858	Buzzer, reverse warner (EA20)	9010	Control box, air suspension, tractors (MG18)
858	Buzzer, reverse warner (EA23)	9010	Control box, air suspension, tractors (ZB57)
858	Buzzer, reverse warner (EA27)	9012	Current limiter (ZD10)
858	Buzzer, reverse warner (ZB12)	9026 F	Socket, 12 V (EX14)
858	Buzzer, reverse warner (ZB15)	9026 F	Socket, 12 V (ZA11)
858	Buzzer, reverse warner (ZB16)	9028	Contact roller, air bag (KE8)
8001	Inductor, sign lighting (EJ8)	9029	Termination resistor, comm. bus (AC27)
8001	Inductor, sign lighting (EK8)	9029	Termination resistor, comm. bus (LO32)
8001	Inductor, sign lighting (ZA33)	9029	Termination resistor, comm. bus (LP40)
8015 L	El. operated seat (ZA30)	9029	Termination resistor, comm. bus (OG12)
8015 R	El. operated seat (ZA32)	9057	Control unit, automatic transmission (LO27)
8016	Fuel filter heater (HM14)	9057	Control unit, automatic transmission (LP27)
8016	Fuel filter heater (ZA15)	9057	Control unit, automatic transmission (OG7)
8017	Water separator (HO6)	9057	Control unit, automatic transmission (ZA15)
8017	Water separator (ZA63)	9070	Control unit, unit injector (BJ5)
8018 2	El. connected seat (NB47)	9070	Control unit, unit injector (BL5)
8018 2	El. connected seat (NZ47)	9070	Control unit, unit injector (BM5)
8018 4	El. connected seat (NB47)	9070	Control unit, unit injector (ZA13)
8018 4	El. connected seat (NZ47)	9072	Control unit, air bag (KE7)
8018 L	El. connected seat (HE6)	9073	Control unit, air suspension (ME6)
8018 L	El. connected seat (HE18)	9073	Control unit, air suspension (MF6)
8018 L4	El. connected seat (ZA30)	9073	Control unit, air suspension (MG4)
8018 R	El. connected seat (HE12)	9073	Control unit, air suspension (ZB53)
8018 R	El. connected seat (HE23)	9074	Control unit, Vehicle ECU (AC4)
8018 R4	El. connected seat (ZA32)	9074	Control unit, Vehicle ECU (PD25)
900	Radio (JA7)	9074	Control unit, Vehicle ECU (ZB30)
900	Radio (ZB14)	9080	Control unit, gear selector (LO4)
901 B	Voltage converter (EX11)	9080	Control unit, gear selector (LP4)
901 R	Voltage converter (EX4)	9080	Control unit, gear selector (PD40)
901 R	Voltage converter (ZA5)	9080	Control unit, gear selector (ZA14)
901 R	Voltage converter (ZB27)	9081	Control unit, electronic immobiliser (AA26)
902 DD	Loudspeaker (JA12)	9081	Control unit, electronic immobiliser (ZB32)
902 DP	Loudspeaker (JA15)	9083	Control unit, Dynafleet log unit (NX3)
		9085	Control unit, Dynafleet TMC (NX29)

Abbreviations

ABS	Antilock brake system	MIR-ELOP	EI. heated and operated exterior mirror
ADR-BAS	Basic ADR adaption	PH-CAB	Cab parking heater
ATC	Automatic temperature control	PH-ENGCA	Engine and cab parking heater
CABLE-B	Tachograph cable, basic	PSS-DUAL	Power steering system dual
CABLE-EC	Tachograph cable, European Community	RADT-AR	6x2, leaf spring
DRIVL2	Two driving lamps	RADT-A6S	6x2, drive axle air spring, 3rd axle air spring and steered
DRIVL2EC	Two driving lamps with dipped beam	RADT-LA	6x2, drive axle leaf spring, 3rd axle air spring and steered
DRL	Day running light	RF	Right front
EXE	Except	RHS	Right hand side
FA-HIGH	Front axle ground clearance high, low offset	RIGID	Platform or tipper truck
FA-LOW	Front axle ground clearance low, high offset	RR	Right rear
FA-STRAI	Front axle ground clearance high, no offset	RSS-AIR	Rear spring system, air
FSS-AIR	Front spring system, air	SI-SPEED	Speedometer
FSS-LEAF	Front spring system, leaf	SLCP-BAS	Basic version sleeper control panel
GSS-R	Range gear shifting	SLCP-LUX	Luxury version sleeper control panel
HYDRTRAN	Hydraulic transmission	SUSPL-EC	Air suspension, electronic control system levelling device
L1H1	Short cab	TRACTOR	Semi-trailer tractor
L2H1	Long cab	UADR	Without ADR adaption
L2H2	Long high cab (Globetrotter)	UMIR-AUX	Without exterior mirror features
LF	Left front	USLCP	Without sleeper control panel
LHS	Left hand side	VT2014	Volvo transmission 2200NM 14 speed
LR	Left rear	WLIFT-EB	Electrical window lift, both doors
LOCK-CTL	Central door locking	WLIFT-ME	Manual window lift
LOCK-MAN	Manual door locking		
LOCK-MRP	Manual door locking plus remote control of passenger door		
MECHTRAN	Mechanical transmission		

Cable colour code

BL	Blue	PU	Purple
BN	Brown	R	Red
GN	Green	SB	Black
GR	Grey	VO	Violet
I	Ivory	W	White
LBL	Light blue	Y	Yellow
LBN	Light brown		
OR	Orange		
P	Pink		

Note: If a cable has two colours, this is written out like the following example: Y/R = Yellow/Red.

VOLVO
Volvo Truck Corporation
Göteborg, Sweden