

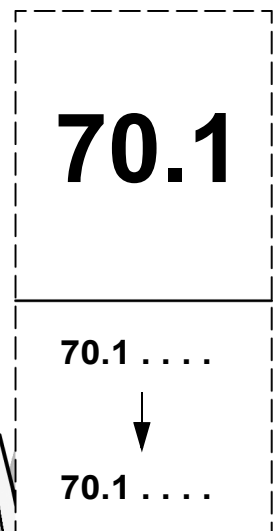
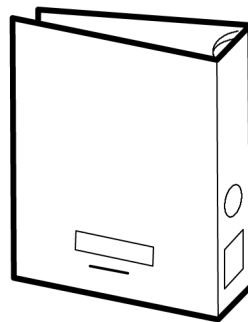
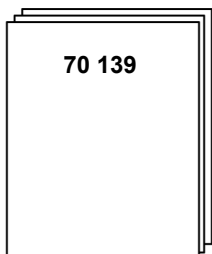
70 139 - GB - 11/2003

ELECTRICS

RANGE	FAMILY	VARIANT
MIDLUM 12-16 t Euro 3	44C1	-
	44C2	
	44T	
	44V	
MIDLUM 16-18 t	45D2	
	45D3	
	45E2	
MIDLUM 4x4	47XA	
	47XC	
	47XF	
MIDLUM 7-12 t	42B3	
	42B4	
	45D2	



The above information may change in the course of time. Only the "Consult" section of the workshop manuals repertory in standard N° 10320 serves as reference.



CONTENTS

Generalities **A-1 → 8**

Electrical diagram **B-1 → 83**

Dealer Network and Customer Follow-up **C-1 → 2**

GENERALITIES

Warnings

In this document, safety instructions are symbolized as follows:



DANGER! NON-OBSERVANCE OF THE PROCEDURE DESCRIBED OR LACK OF CARE OR ATTENTION, RISK CAUSING SERIOUS INJURY OR EVEN DEATH.



WARNING! Any different or inappropriate working method risks causing damage to the product.

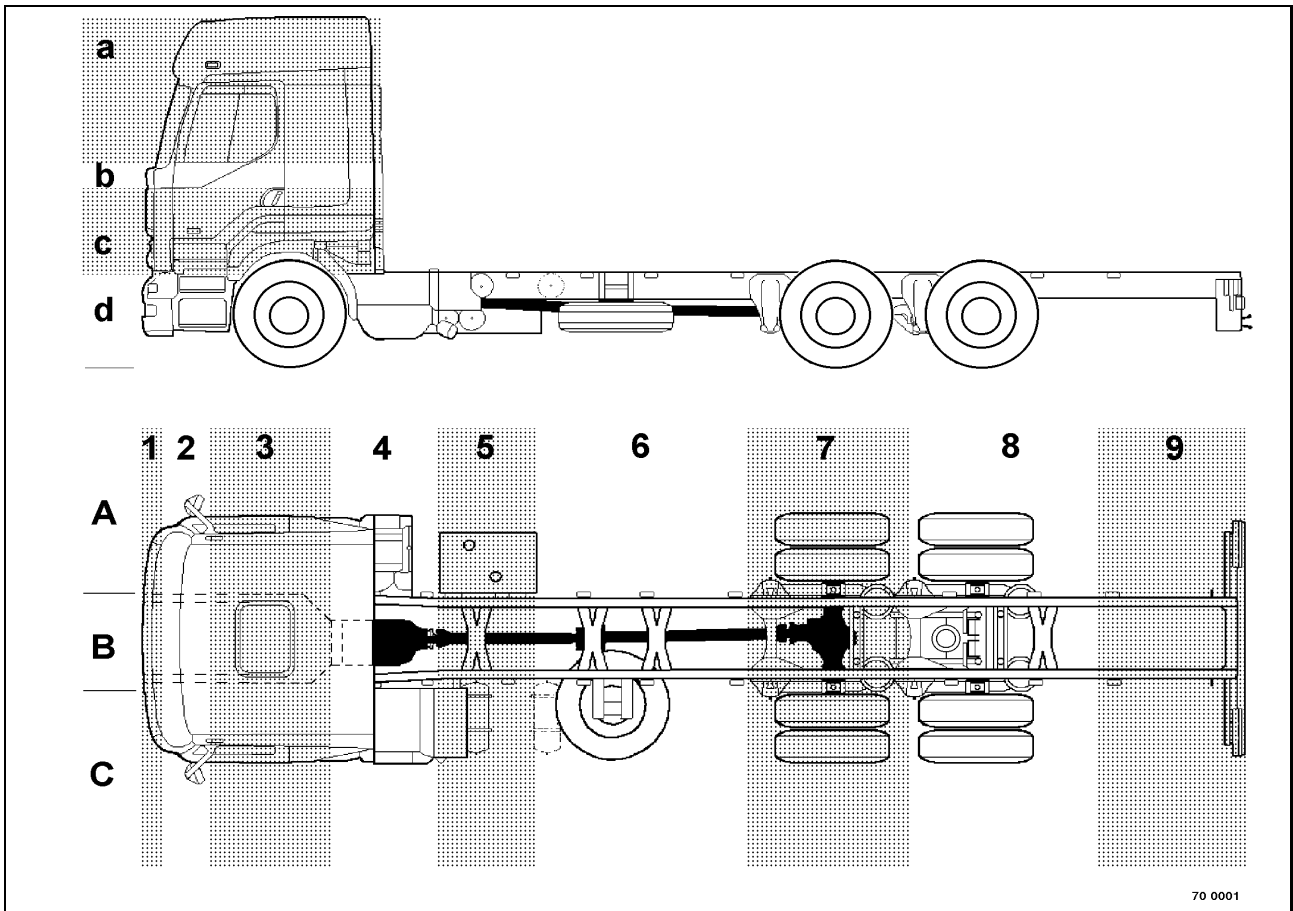


NOTE! Draws attention to particular or important points of the method.



Comply without fail with the regulations in force relative to the recovery and treatment of used parts and waste.

Vehicle voluminal breakdown



70 0001

The vehicle is broken down into several zones each designated by an item number.

Heightwise breakdown

Reserved for the bodywork, 4 zones designated by a small letter

Widthwise breakdown

3 zones designated by a capital letter

A: RH side and RH sidemember

B: Central part

C: LH side and LH sidemember

Lengthwise breakdown:

9 zones designated by a figure.

Zone 7 is specific for **6x4 - 6x6**.

Zone 1 indicates:

- on the chassis, the bumper and the components it supports.

- on the cab, the front end components accessible through the grille

Example:

A1: bumper RH section (headlamps, ...)

C3: LH front wheel (ABS sensor, ...)

C2b: dashboard

A3c: passenger's seat

How to read the diagrams

Definition of an illustration

The diagram consists of several plates.

The plates are defined in the bottom right-hand corner by:

- a six-figure number, which is the reference number of the illustration.
- a letter, which is the revision index of the illustration. This letter is to be found on the same line as the reference number.
- a three-figure number, which defines the folio number.

A diagram plate is broken down into **5** zones in the vertical direction.

These zones are identified by letters ranging from **A** to **E**.

Definitions of symbols used in a diagram

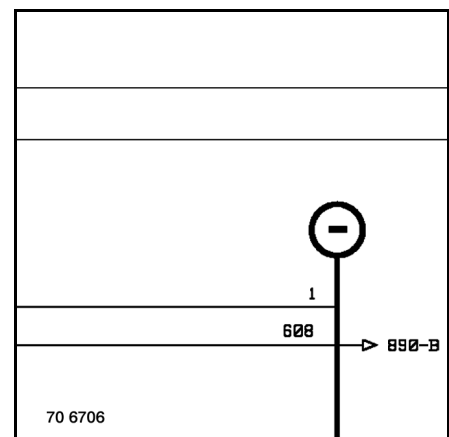
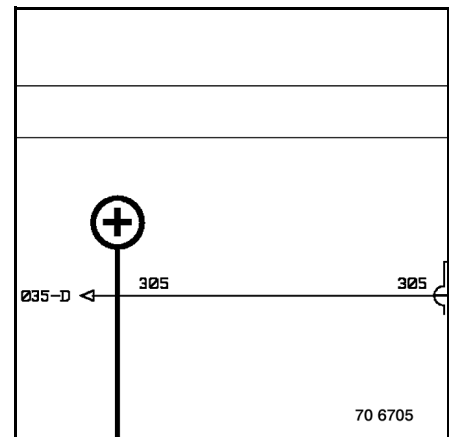
Cross-references

The folio co-ordinates to be found on the right always refer back to a preceding page.

The folio co-ordinates to be found on the left always refer forward to a following page.

The cross-reference is defined by:

- a three-figure number, which gives information on the order number of the destination folio,
- a letter, which gives information on the zone in which the cross-reference is to be found.



Appliances

Each appliance shown in the diagram is identified by an after-sales code number.

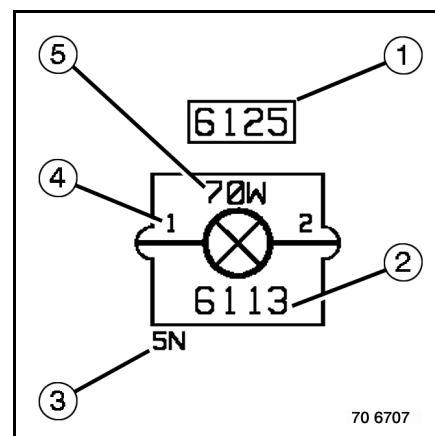
If the after-sales code number is framed (item **(1)** of the illustration opposite), it indicates a single appliance or an assembly comprising several functions.

If the after-sales code number is not framed (item **(2)** of the illustration opposite), it indicates a single appliance. It is then to be found inside the symbol.

Underneath each appliance, we define, wherever possible, the colour and the number of ways of the connector with which it is associated (item **(3)** of the illustration opposite).

All the terminals of each appliance are defined by a numerical or alphanumerical code number, if necessary (item **(4)** of the illustration opposite).

For certain appliances, we define, wherever possible, the power with which it is associated (item **(5)** of the illustration opposite).

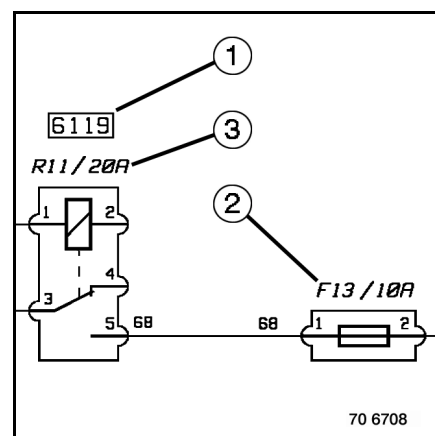


Fuses and relays

Relays are designated by an after-sales code number (item **(1)** of the illustration opposite).

They are also designated by an alphanumerical code number and by the value of the rated current capable of crossing them (item **(2 - 3)** of the illustration opposite).

Fuses are merely designated by an alphanumerical code number and by the value of the rated current capable of crossing them.



Polarities

Polarities are identified by a numerical code number.

For each function, there is one same, single code number.

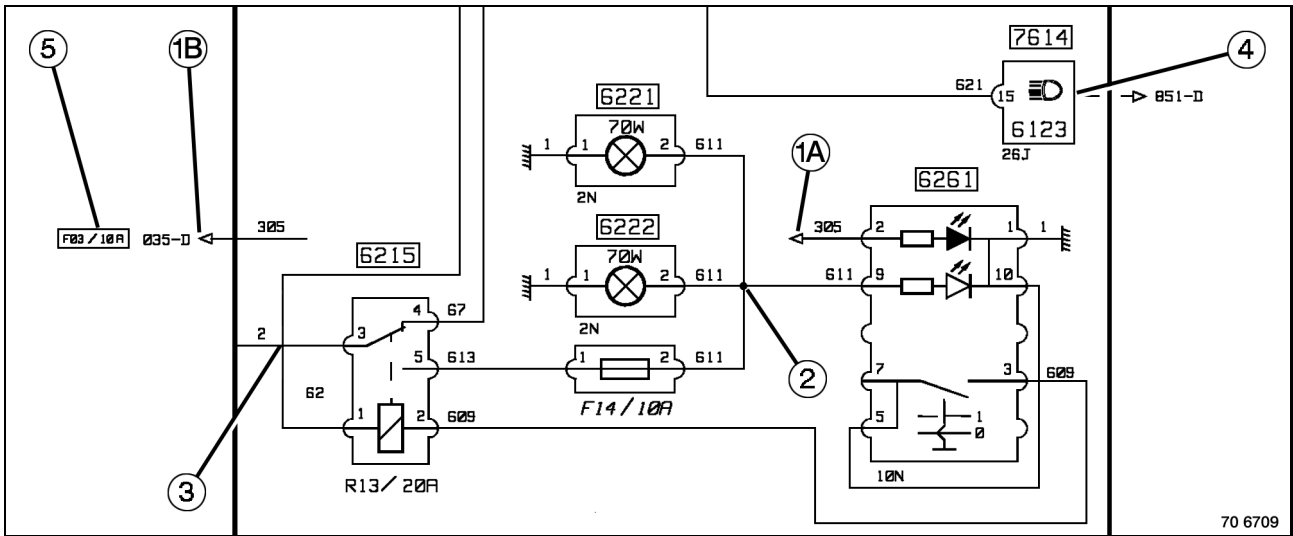
Example:

2 = battery "positive" direct current power supply.

1 = earth.

Circuits where polarities are represented by dotted lines indicate a connection solution or an optional assembly.

Graphic conventions



A folio cross-reference can consist of two sections.

The first in a zone of the diagram (item **(1A)** of the illustration above).

The second to the right or left of the zone of the diagram according to its destination (item **(1B)** of the illustration above).

In all cases, both sections are always on the same line.

This principle is applied whenever it makes it possible to avoid polarity crossovers that may prejudice clear legibility of the diagram.

A folio cross-reference may be made by fuse **(5)** or by warning light **(4)**.

If an intersection is not reinforced by a connection point, the polarities cross over and are distinct **(3)**.

If an intersection is reinforced by a connection point, we have the same level of information on the wires (same potential)

It is possible for extra connection points to be applied to the diagram for legibility reasons (item **(2)** of the illustration above).

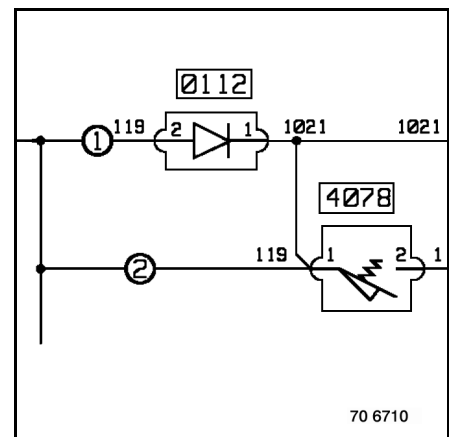
It is possible for a function to have several technical responses.

In this case, we call upon the notion of "variant" or "option".

This notion is represented by a figure inside a circle. This symbol is placed on the polarity in question.

An explanation to be found on the page opposite the diagram describes the possible options.

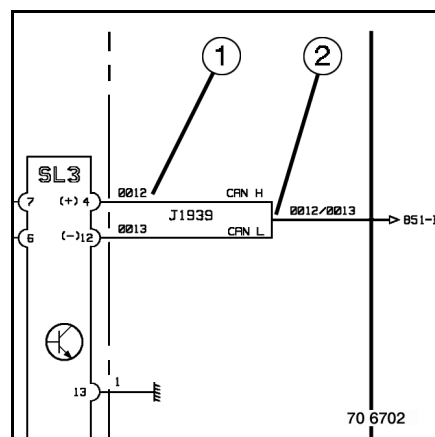
If a folio represents several assemblies, it goes without saying that a vehicle can have only one single option.



To make for easier reading, communication buses are represented as follows:

Only the ends of conductors are represented (item (1) of the illustration opposite).

The "body" of the wiring harness is shown in diagrammatic form by one thicker single line. Page cross-references are made according to the same principle as for polarities (item (2) of the illustration opposite).



Wiring harnesses

Each plate represents the routing of one or several wiring harnesses connected to a sub-assembly or function. The outline of the vehicle pinpoints the wiring harnesses.

Connectors identified by the letter "C" followed by figures are indicated on each harness.

A key opposite each plate defines their assignment.

The detail of the connectors connected to wiring harnesses on the plate enable the polarity of each pocket to be situated.

Key to connectors:

C1294618 - Driver's overhead lamp

C129: connector item number

4618: appliance reference number

Driver's overhead light: key to the apparatus

The appliance reference number and key provide the link to the electrical diagram.

Optional wiring harnesses:

Connectors assigned with indexes "*1" or "*2" belong to optional harnesses.

Example of connector reference number:

C129: connector on standard harness

C137 *₁: connector on option 1 harness

C141 *₂: connector on option 2 harness

At the end of the key is shown the make-up of each optional harness.

Detail of connectors:

Each drawing represents the structure of a connector.

Example:

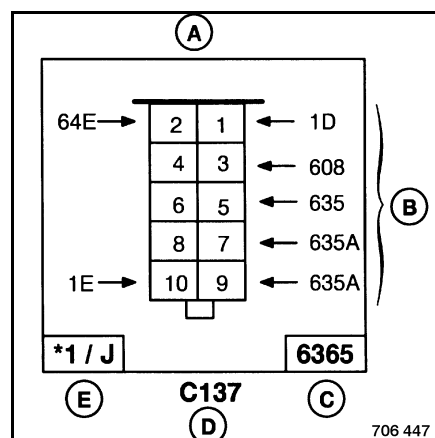
A: Outline of the connector

B: Item number and location of the wires

C: Reference number of the appliance

D: Item number of the connector

E: Option and/or colour of the connector



Electrical distribution

The cab electrical distributing box contains the majority of the fuses and relays necessary for operation of the vehicle.

Fuses and relays that are connected on the electrical distribution box are represented as surrounded by a fine dotted line in the electrical diagram.

Each face of the electrical distribution box is detailed in the "Electrical distribution unit" chapter.

The chassis-cab connection box enables the information to be found inside the cab to cross the bulkhead and be routed to the outside and vice versa.

Each connector of the chassis-cab connection box is detailed in the "Electrical distribution unit" chapter.

Precautions to be taken when making electrical measurement readings

Protection of appliances



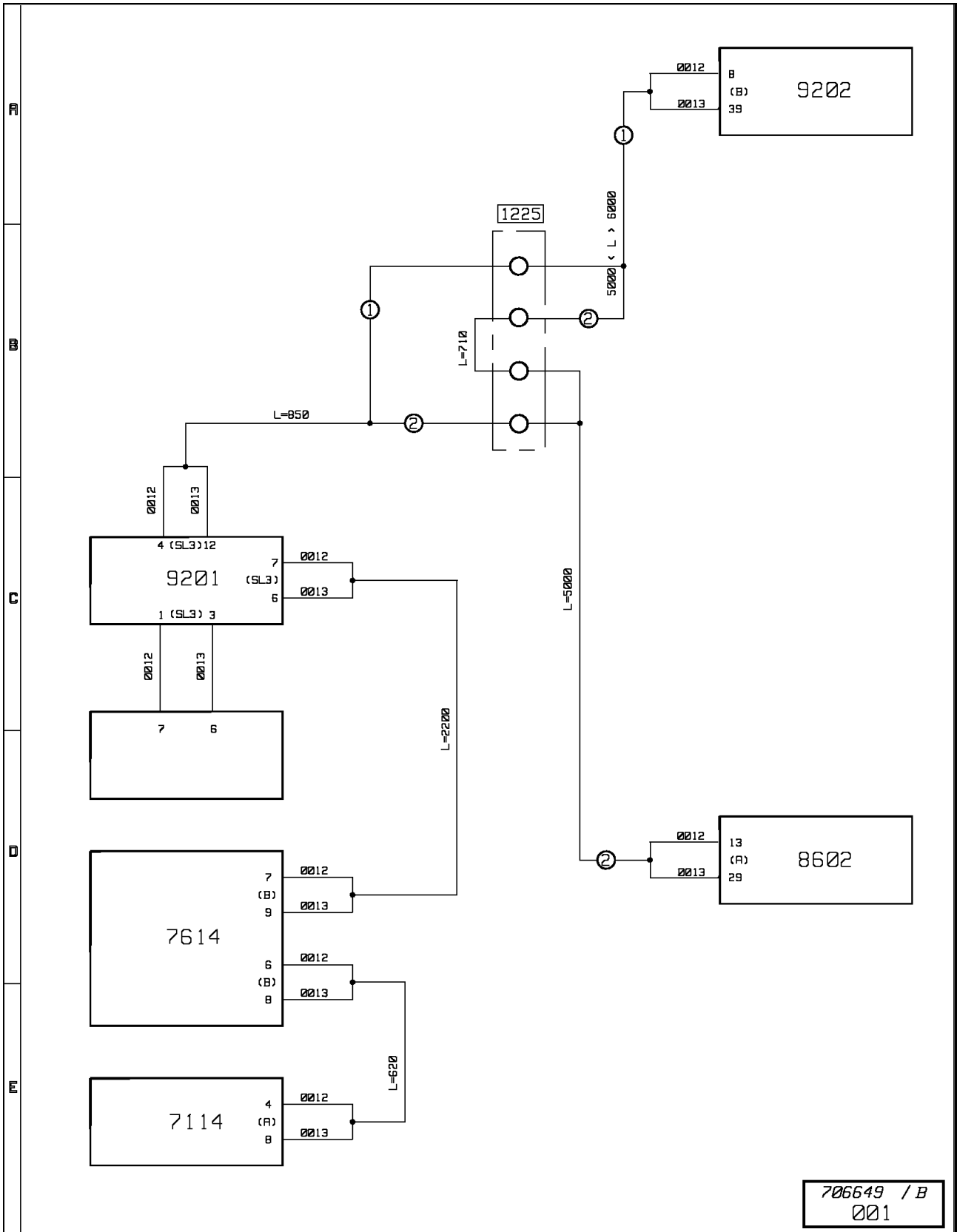
Bearing in mind the presence of numerous electronic appliances, the use of a test lamp is to be avoided. Preferably use a needle or digital type multi-meter.



It is forbidden to apply voltage to the terminals of electronic appliances or you may cause irreparable damage to the hardware. Consequently, no line continuity measurement should be made on the wires without having previously disconnected the appliances from the lines concerned.

ELECTRICAL DIAGRAM

CAN BUS "J1939" architecture



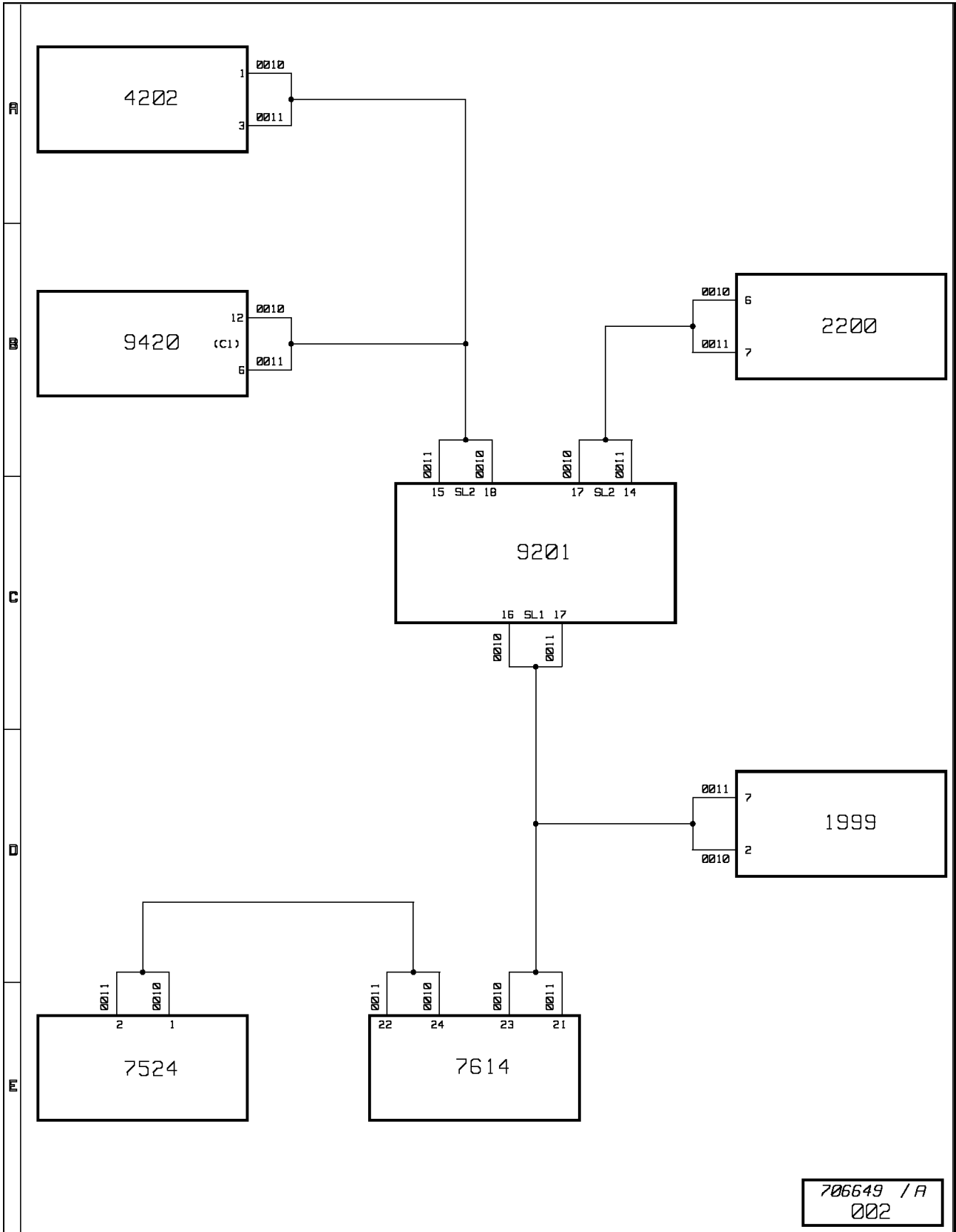
CAN BUS "J1939" architecture**Key to appliances**

Code N°	Name of function	Location
1225	Chassis cab junction box	A2c
7114	Electronic tachograph	C2b
7614	Principal display	C2b
8602	Automatic gearbox ECU	B3c
9201	Vehicle master ECU (VECU)	B3c
9202	Engine master ECU (EECU)	B3c

1: with "ALLISON" gearbox

2: without "ALLISON" gearbox

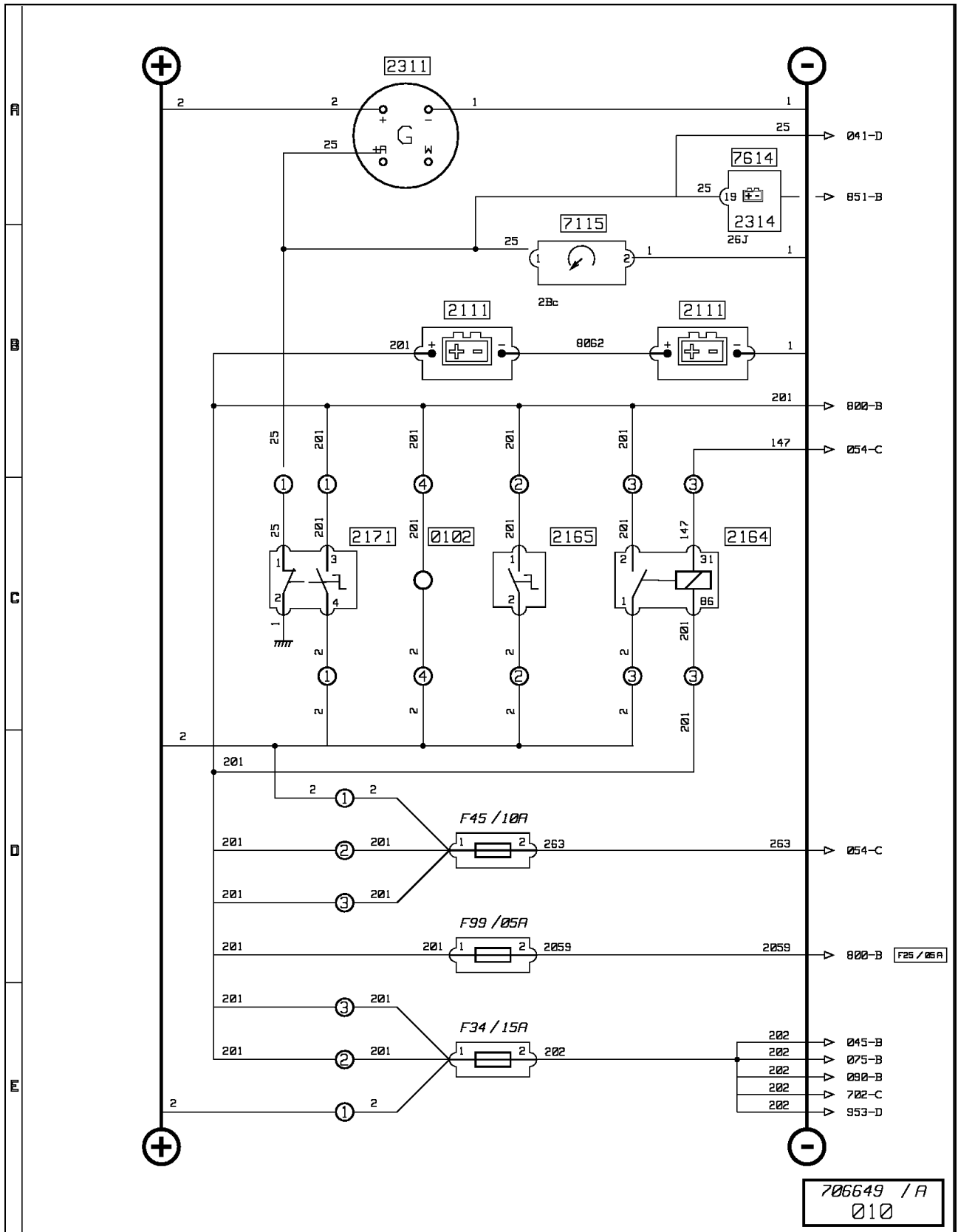
CAN BUS "J1587" architecture



CAN BUS "J1587" architecture**Key to appliances**

Code N°	Name of function	Location
1999	ECU for bodybuilder pre-arrangement	A2c
2200	Anti-theft electronic box	C2a
4202	Radio	C2a
7524	"SAE" diagnostic socket	C3c
7614	Principal display	A2b
9201	Vehicle master ECU (VECU)	B3c
9420	Anti-theft alarm ECU	C2a

Energy production



Energy production**Key to appliances**

Code N°	Name of function	Location
0102	Electrical connection terminal	C4d
2111	Battery (set of batteries)	C4d
2164	Electrical master switch	C4d
2165	Master switch	C4d
2171	Pneumatic master switch	C4d
2311	Alternator	B2c
2314	Battery charge warning lamp	C2b
7115	Hourmeter	A3c
7614	Principal display	C2b

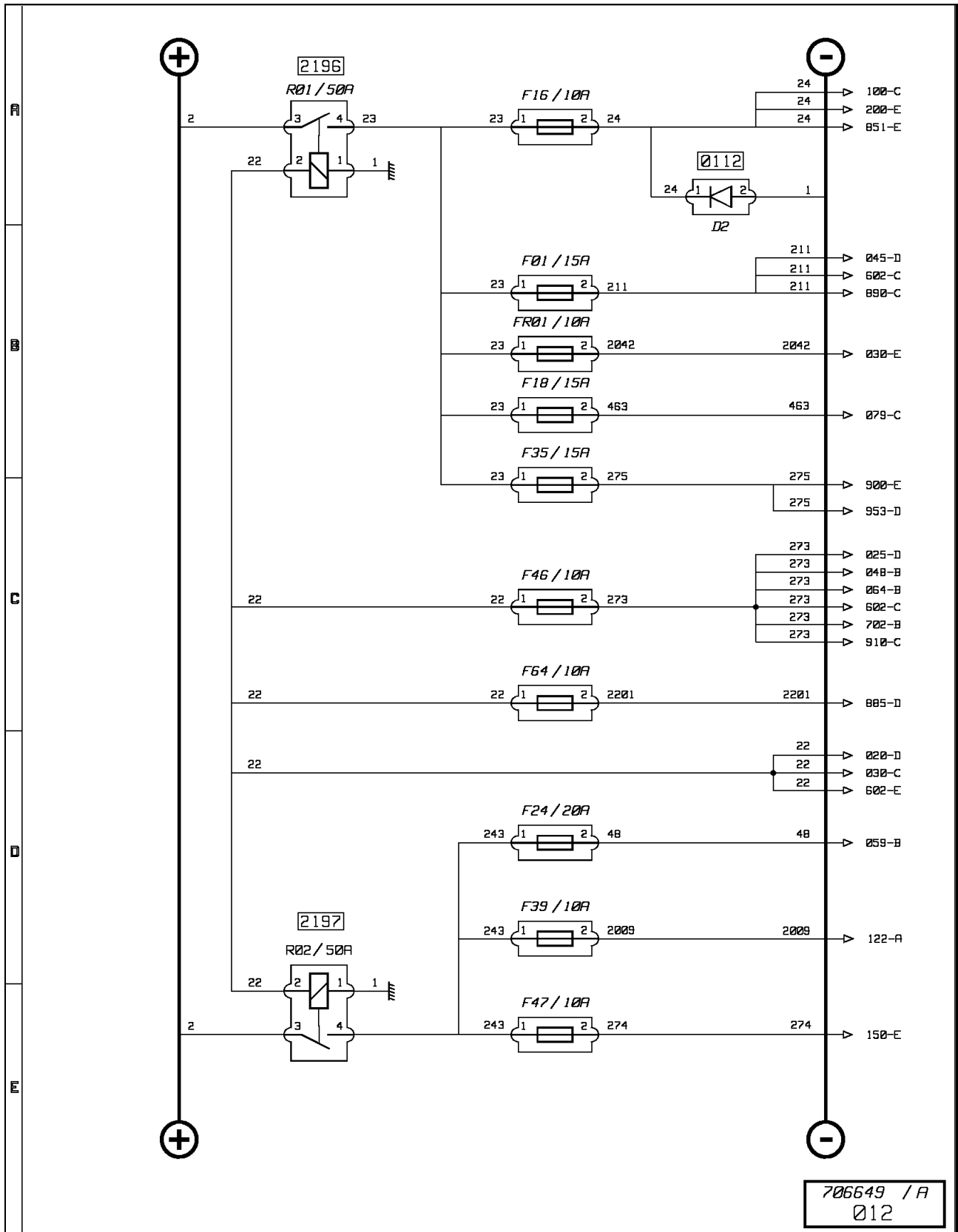
1: with "ADR" master switch

2: with mechanical master switch

3: with electrical master switch

4: without master switch

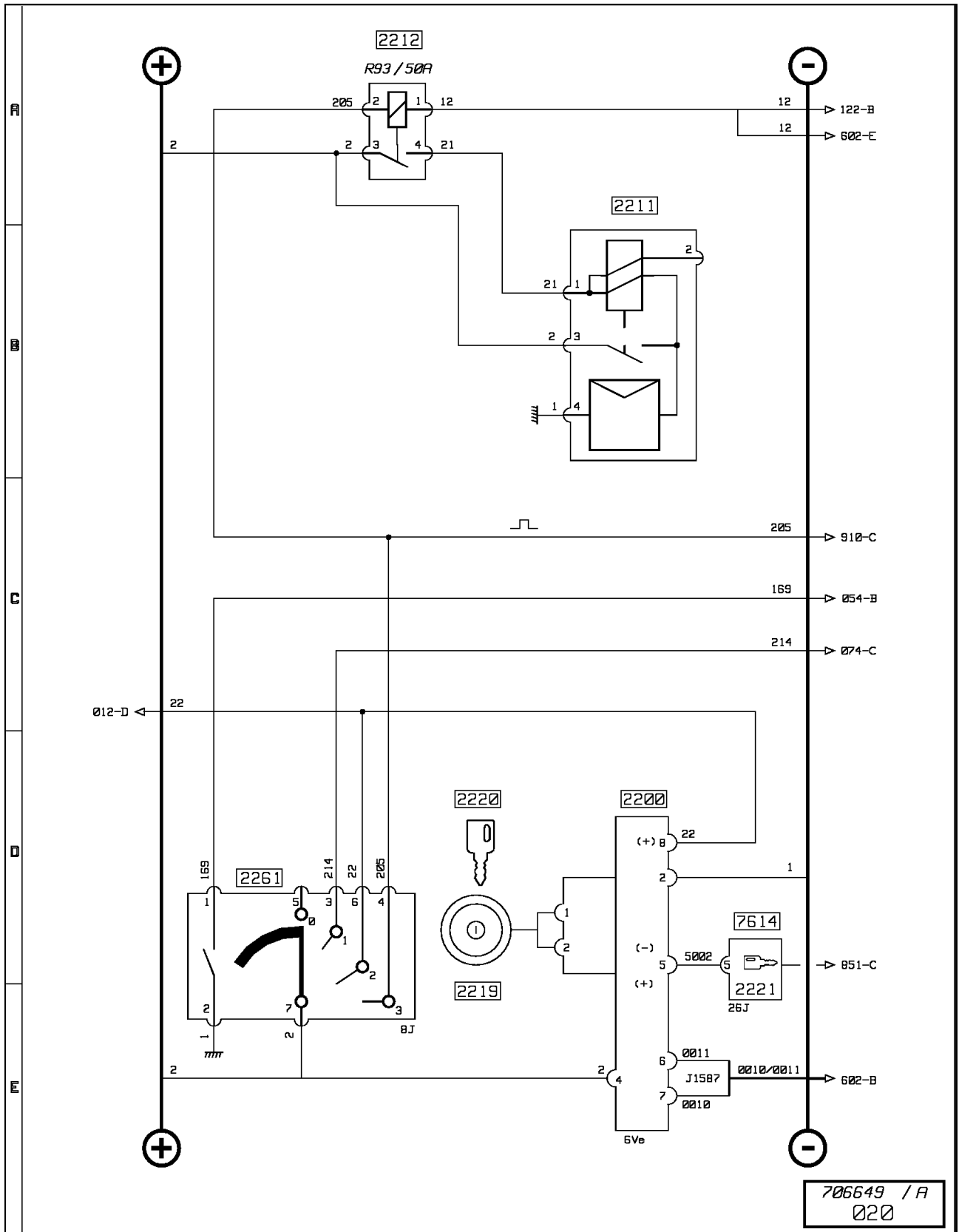
After ignition distribution



After ignition distribution**Key to appliances**

Code N°	Name of function	Location
0112	Diode(s)	A2c
2196	After ignition power supply relay N°1	A2c
2197	After ignition power supply relay N°2	A2c

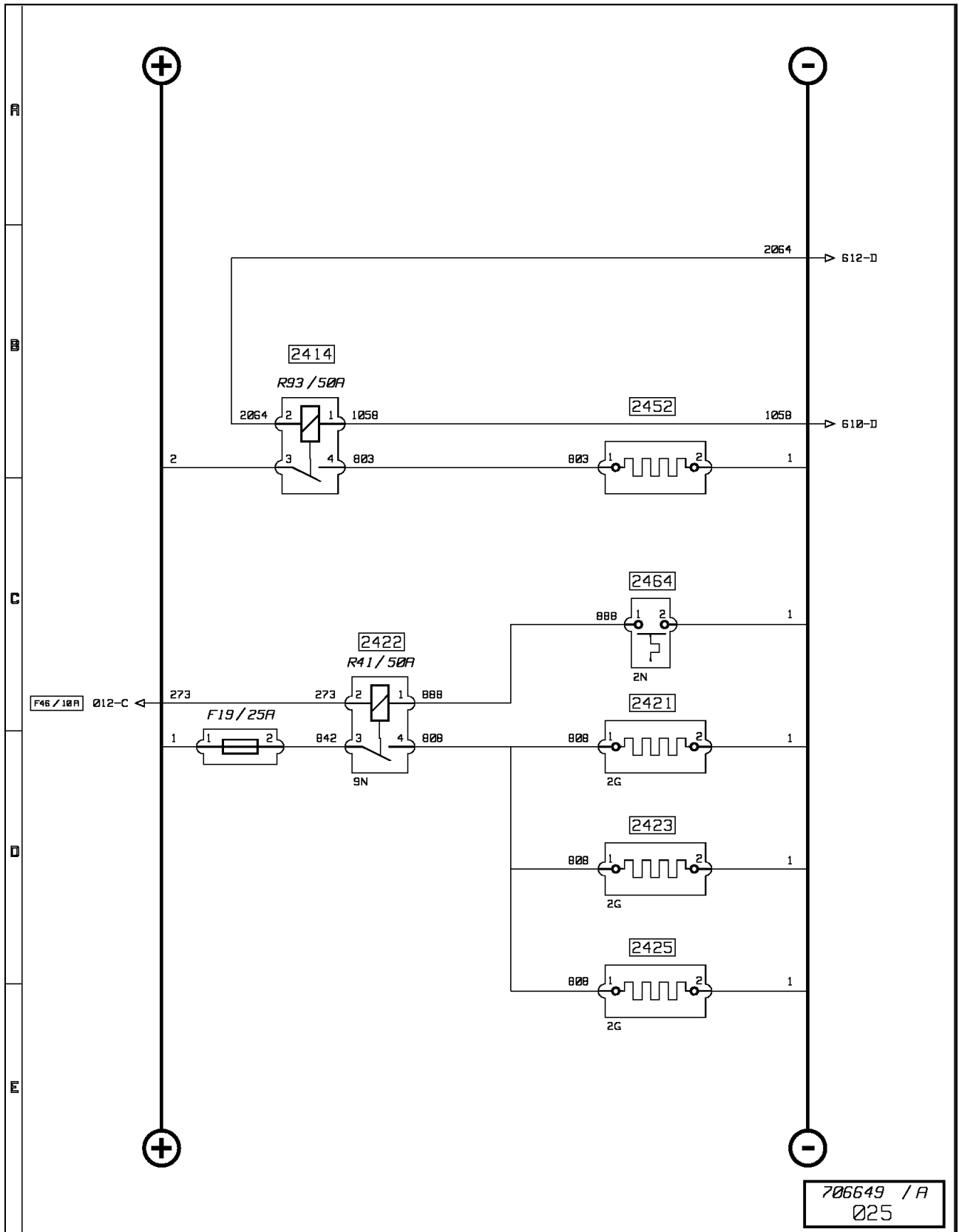
Engine starting



Engine starting**Key to appliances**

Code N°	Name of function	Location
2200	Anti-theft electronic box	C2a
2211	Starter	B3c
2212	Starting relay	A2c
2219	Transponder antenna	C2a
2220	Transponder ignition key	C2a
2221	Electronic anti-theft "Information" warning lamp	C2b
2261	Steering lock and starting control	C2b
7614	Principal display	C2b

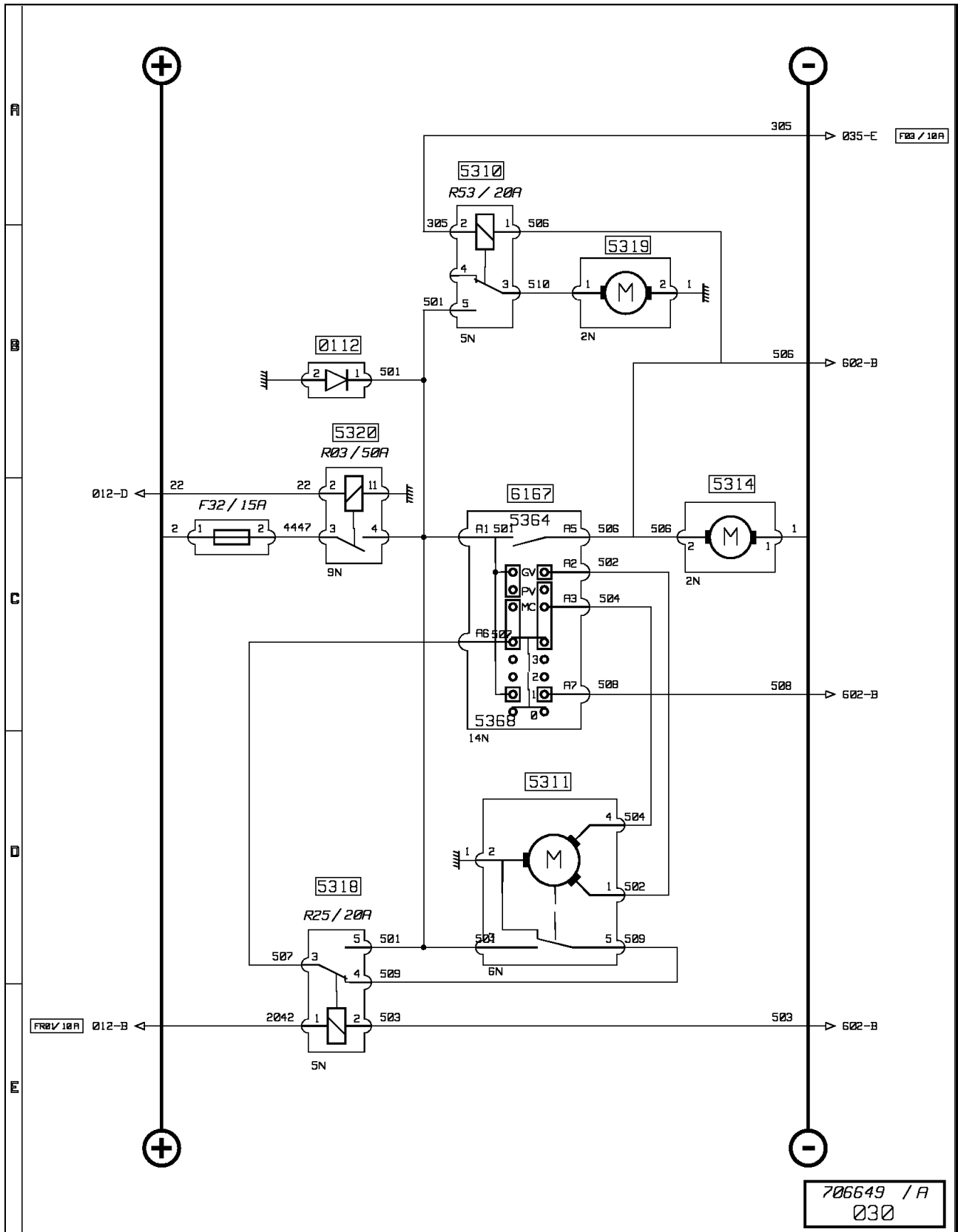
Engine starting aid



Engine starting aid**Key to appliances**

Code N°	Name of function	Location
2414	Preheating relay N°1	B3d B2c
2421	Fuel preheater resistor N°1	B3c
2422	Fuel preheater relay	A2b
2423	Fuel preheater resistor N°2	B3c
2425	Fuel preheater resistor N°3	B3c
2452	Preheating resistor N°1	B3c
2464	Fuel preheater thermal switch	B3d

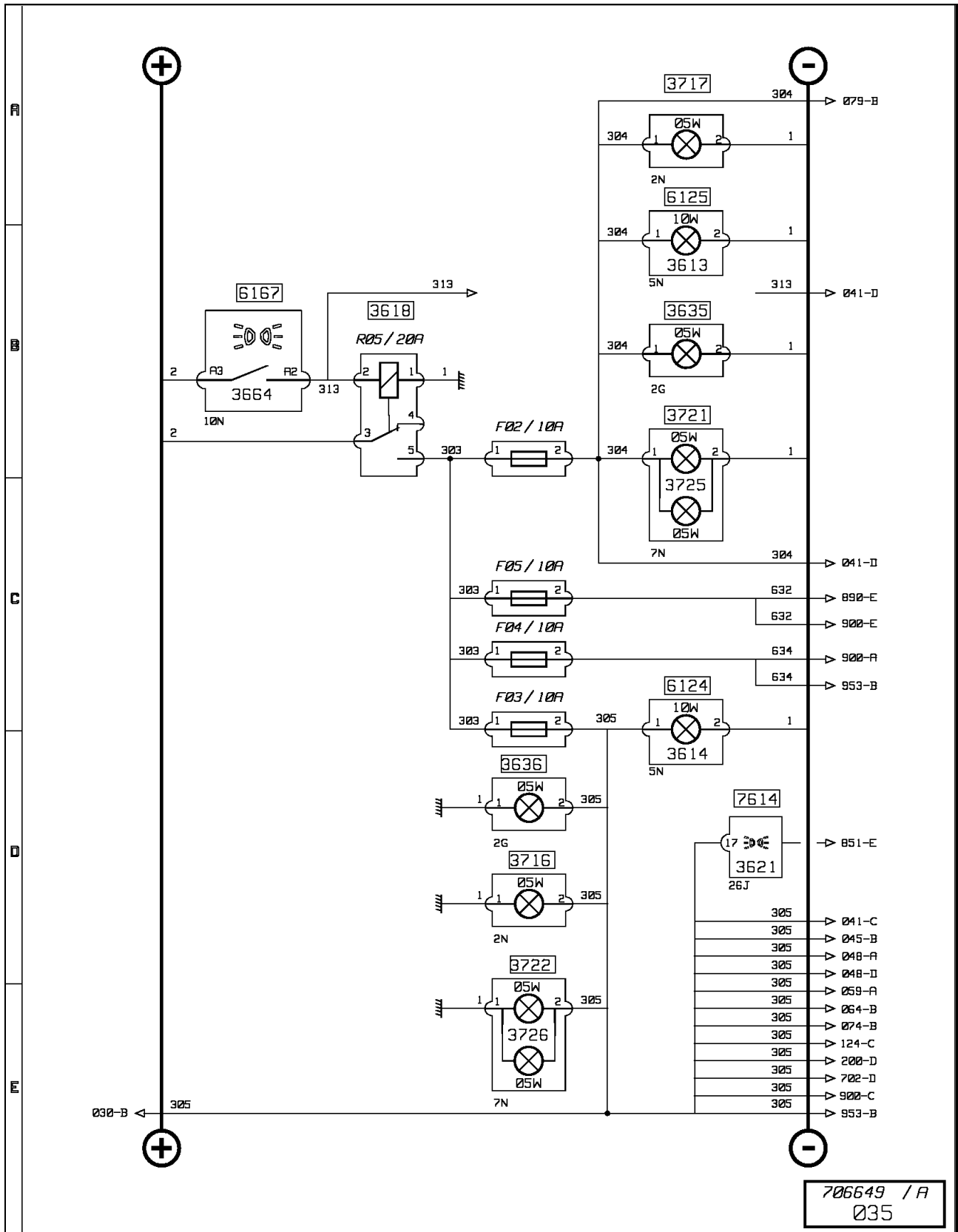
Windscreen wiper(s) and headlamps wash



Windscreen wiper(s) and headlamps wash**Key to appliances**

Code N°	Name of function	Location
0112	Diode(s)	A2c
5310	Headlamps wash pump time-delay power supply relay	A2c
5311	Windscreen wiper motor	B1c
5314	Windscreen wash pump	C1c
5319	Headlamps wash pump motor	A2d
5320	Windscreen wiper prohibition relay	A2c
5364	Windscreen wash control	C2b
5368	Windscreen wipe control	C2b
6167	Steering column fingertip controls	C2b

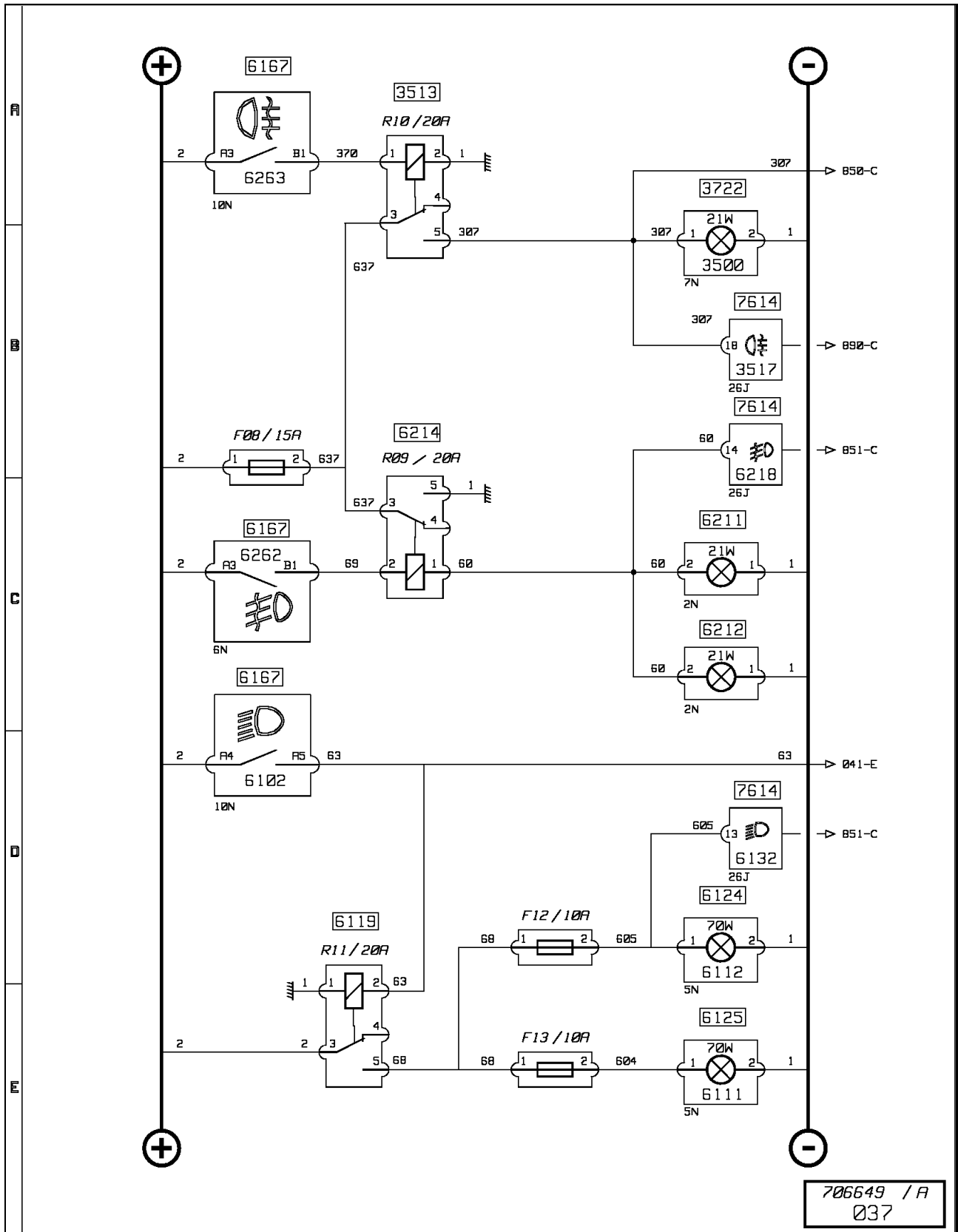
Side/parking lights



Side/parking lights**Key to appliances**

Code N°	Name of function	Location
3613	RH front side/parking lamp	A1d
3614	LH front side/parking lamp	C1d
3618	Side/parking lights power supply relay N°1	A2b
3621	Side/parking lights warning lamp	C2b
3635	RH marker lights (bodybuilder equipment)	A2c
3636	LH marker lights (bodybuilder equipment)	A2c
3664	Side/parking lights control	C2b
3716	LH central marker lamp	C5d
3717	RH central marker lamp	A4d
3721	RH rear light(s) (flashing, stop, fog, reversing, side/parking)	A9d
3722	LH rear lights (flashing, stop, fog, reverse, side/parking)	C9d
3725	RH rear side/parking lamp	A9d
3726	LH rear side/parking lamp	C9d
6124	Headlight, dipped headlight and left side lamp	C1d
6125	Headlight, dipped headlight and right side lamp	A1d
6167	Steering column fingertip controls	C2b
7614	Principal display	C2b

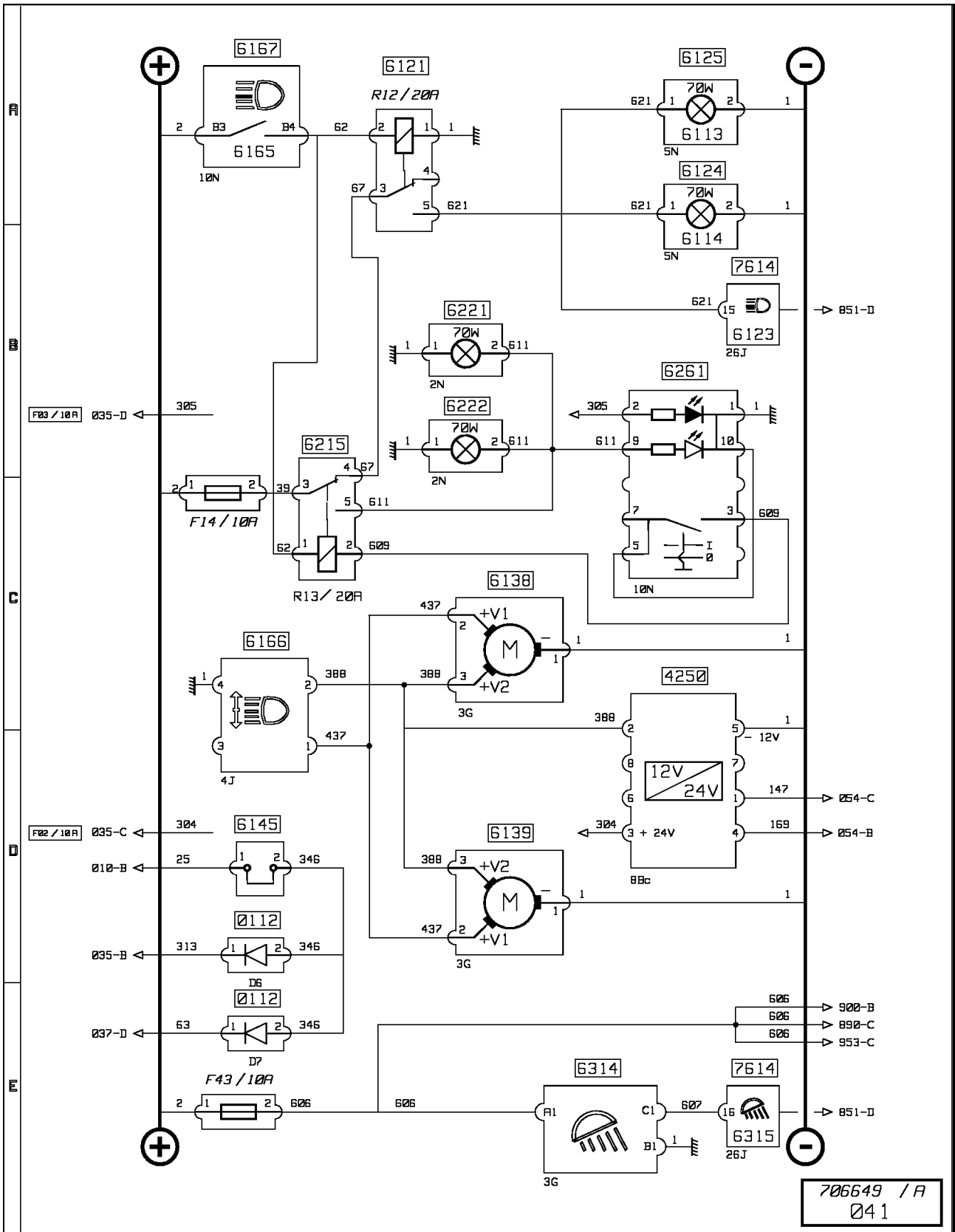
Fog and fog driving lights / Dipped beam headlights



Fog and fog driving lights / Dipped beam headlights**Key to appliances**

Code N°	Name of function	Location
3500	LH fog lamp	C9d
3513	Fog light(s) power supply relay	A2b
3517	Fog light(s) warning lamp	C2b
3722	LH rear lights (flashing, stop, fog, reverse, side/parking)	C9d
6102	Dipped beam headlights control	C2b
6111	RH dipped beam headlamp	C1d
6112	LH dipped beam headlamp	A1d
6119	Dipped beam headlights relay	A2b
6124	Headlight, dipped headlight and left side lamp	C1d
6125	Headlight, dipped headlight and right side lamp	A1d
6132	Dipped beam headlights warning lamp	C2b
6167	Steering column fingertip controls	C2b
6211	LH fog driving lamp	C1d
6212	RH fog driving lamp	A1d
6214	Fog driving lights relay	A2b
6218	Fog driving lights warning lamp	C2b
6262	Fog driving lights control	B2b
6263	Fog driving light(s) control	B2b
7614	Principal display	C2b

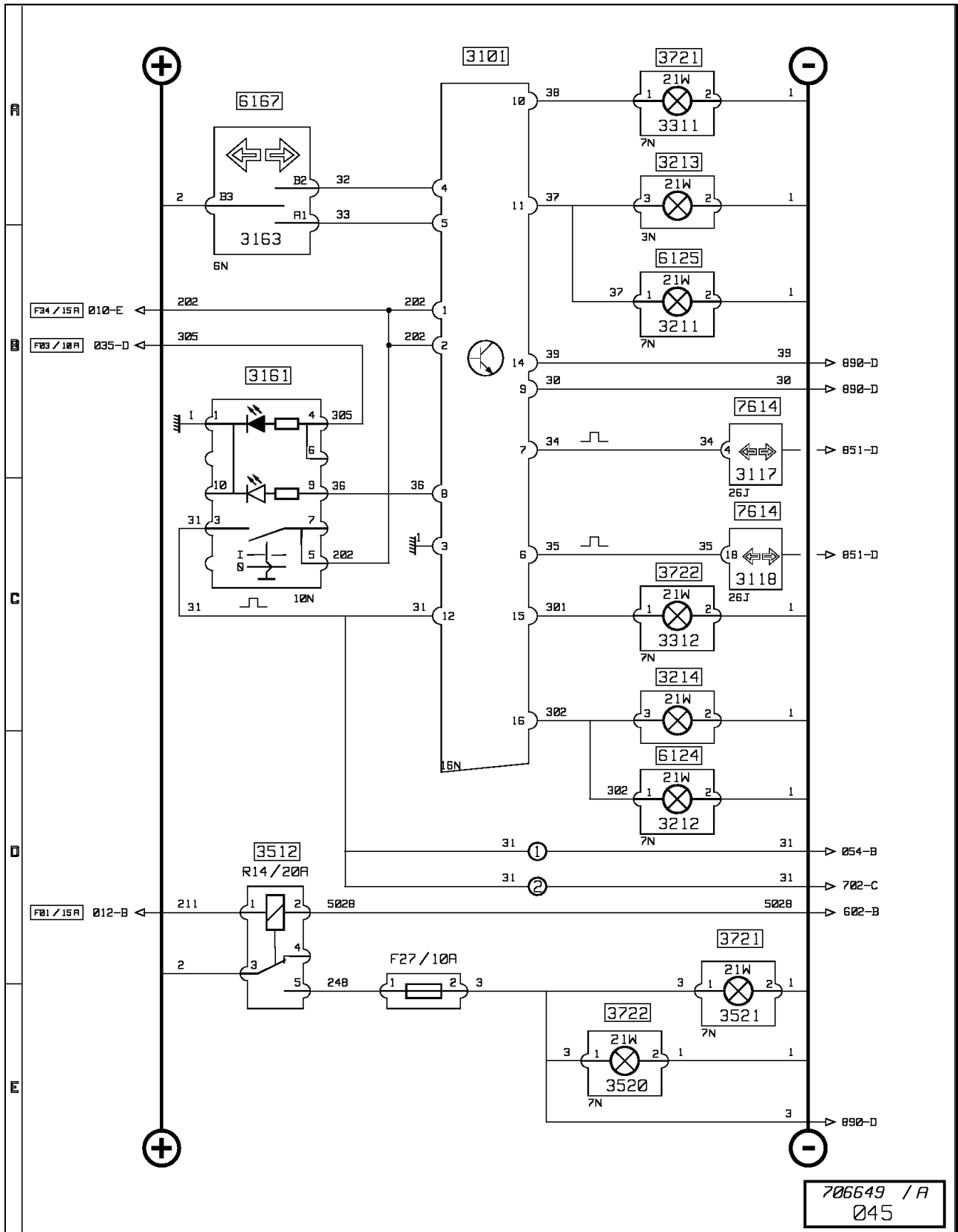
Main beam headlights and extra lights



Main beam headlights and extra lights**Key to appliances**

Code N°	Name of function	Location
0112	Diode(s)	A2b
4250	Voltage dropper (24V/12V) for main beam headlamps adjustment motor	C2b
6113	RH main beam headlamp	A1d
6114	LH main beam headlamp	C1d
6121	Main beam headlights power supply relay	A2b
6124	Headlight, dipped headlight and left side lamp	C1d
6125	Headlight, dipped headlight and right side lamp	A1d
6123	Main beam headlights warning lamp	C2b
6138	LH headlight adjustment motor	C2d
6139	RH headlight adjustment motor	A2d
6145	Day running lights shunt	A2b
6165	Main beam headlights control	C2b
6166	Headlights adjustment control	C2b
6167	Steering column fingertip controls	C2b
6215	Long range driving lights power supply relay	A2b
6221	RH long range driving lamp	A1d
6222	LH long range driving lamp	C1d
6261	Long range driving lights control	B2b
6314	Working floodlamp (tractor)	C4c
6315	Working floodlight warning lamp	C2b
7614	Principal display	C2b

Direction change indication



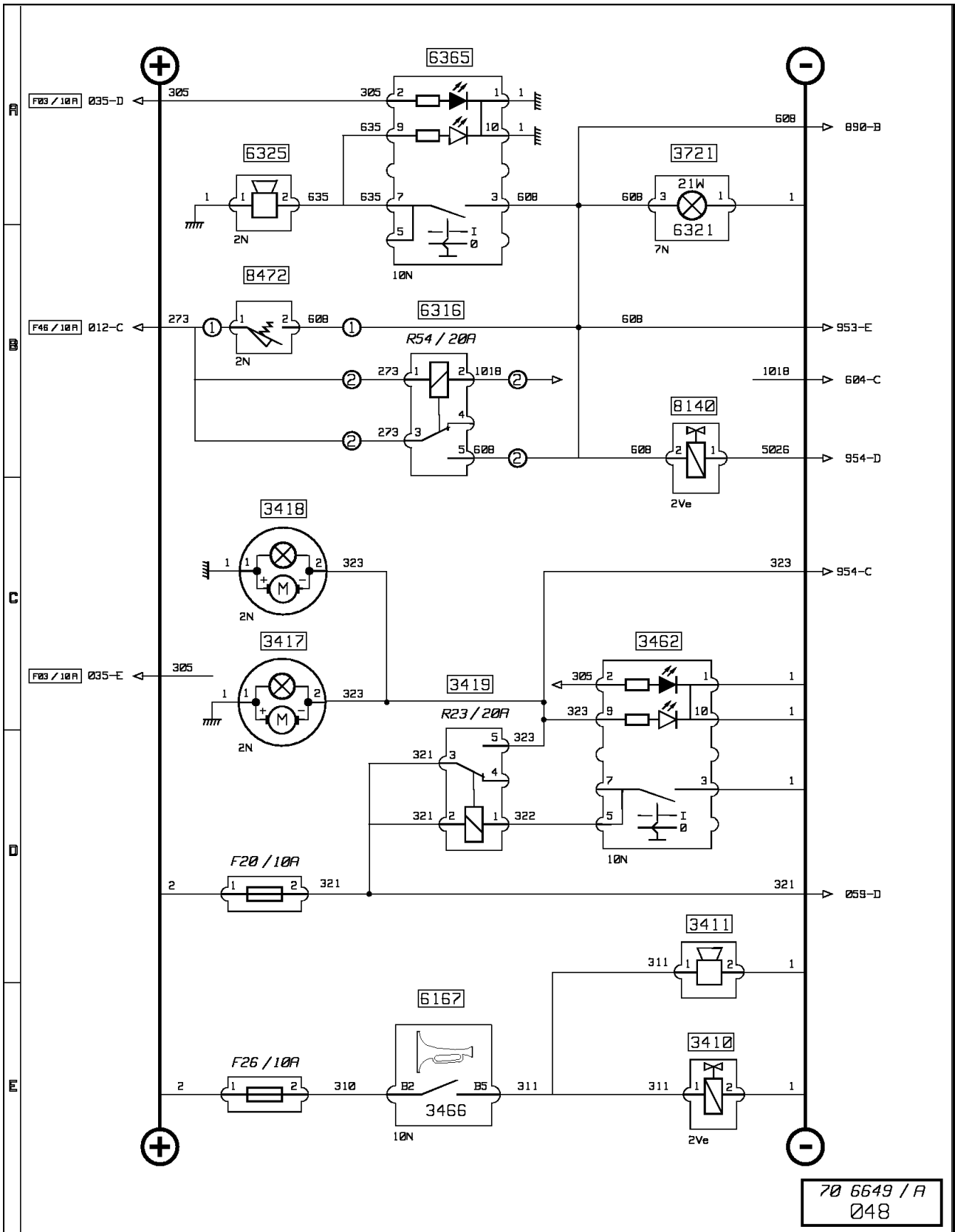
Direction change indication**Key to appliances**

Code N°	Name of function	Location
3101	Flasher unit	A2a
3117	Rigid or tractor flasher repeater lamp	C2b
3118	Trailer flasher repeater lamp	C2b
3161	Hazard lights control	B2b
3163	Direction indicator control	C2b
3211	RH front direction indicator lamp(s)	A1d
3212	LH front direction indicator lamp(s)	C1d
3213	RH side flashing lamp	A3d
3214	LH side flashing lamp	C2d
3311	RH rear direction indicator lamp(s)	A9d
3312	LH front direction indicator lamp(s)	C9d
3512	Stop lights power supply relay	A2b
3520	LH rear stop lamp	C9d
3521	RH rear stop lamp	A9d
3721	RH rear light(s) (flashing, stop, fog, reversing, side/parking)	A9d
3722	LH rear lights (flashing, stop, fog, reverse, side/parking)	C9d
6124	Headlight, dipped headlight and left side lamp	C1d
6125	Headlight, dipped headlight and right side lamp	A1d
6167	Steering column fingertip controls	C2b
7614	Principal display	C2b

1: without alarm

2: with alarm

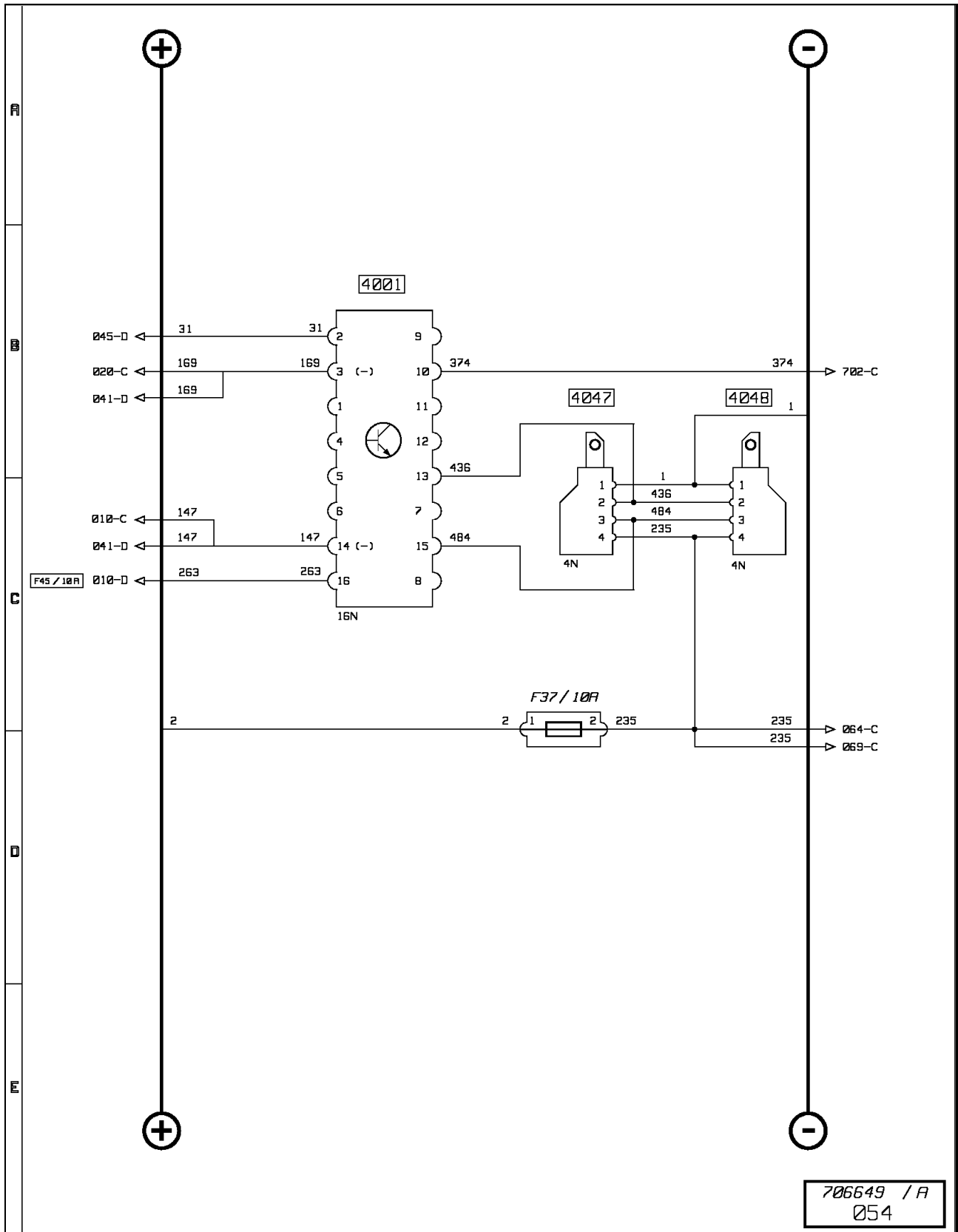
Reversing lights and horns



Reversing lights and horns**Key to appliances**

Code N°	Name of function	Location
3410	Roof trumpet horn solenoid valve	C2d
3411	Horn	A2d
3417	Revolving beacon 1	C3a
3418	Revolving beacon 2	A3a
3419	Revolving beacon(s) power supply relay	A2b
3462	Revolving beacon(s) control	C2a
3466	Horn control	C2b
3721	RH rear light(s) (flashing, stop, fog, reversing, side/parking)	A9d
6167	Steering column fingertip controls	C2b
6316	Reversing lights power supply relay	A2c
6321	RH reversing lamp	A9d
6325	"Reversing" external buzzer	B9d
6365	"Reversing" buzzer control	C2a
8140	Braking circuit electrovalve (reversing safety)	C5d
8472	Reverse gear switch	B4d

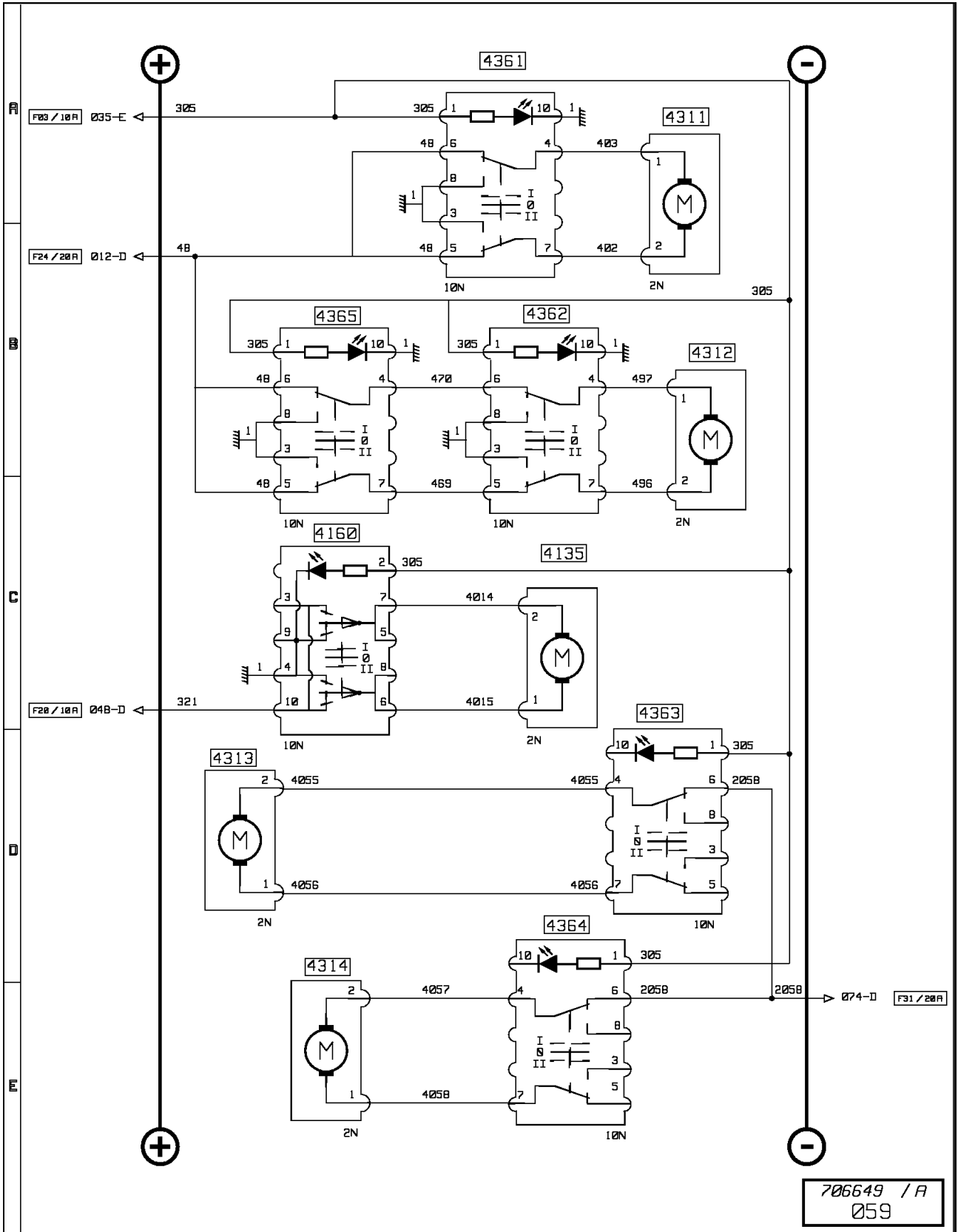
Doors central locking



Doors central locking**Key to appliances**

Code N°	Name of function	Location
4001	Central locking box (doors)	B2a
4047	Passenger's side electric striker motor	A3b
4048	Driver's side electric striker motor	C3b

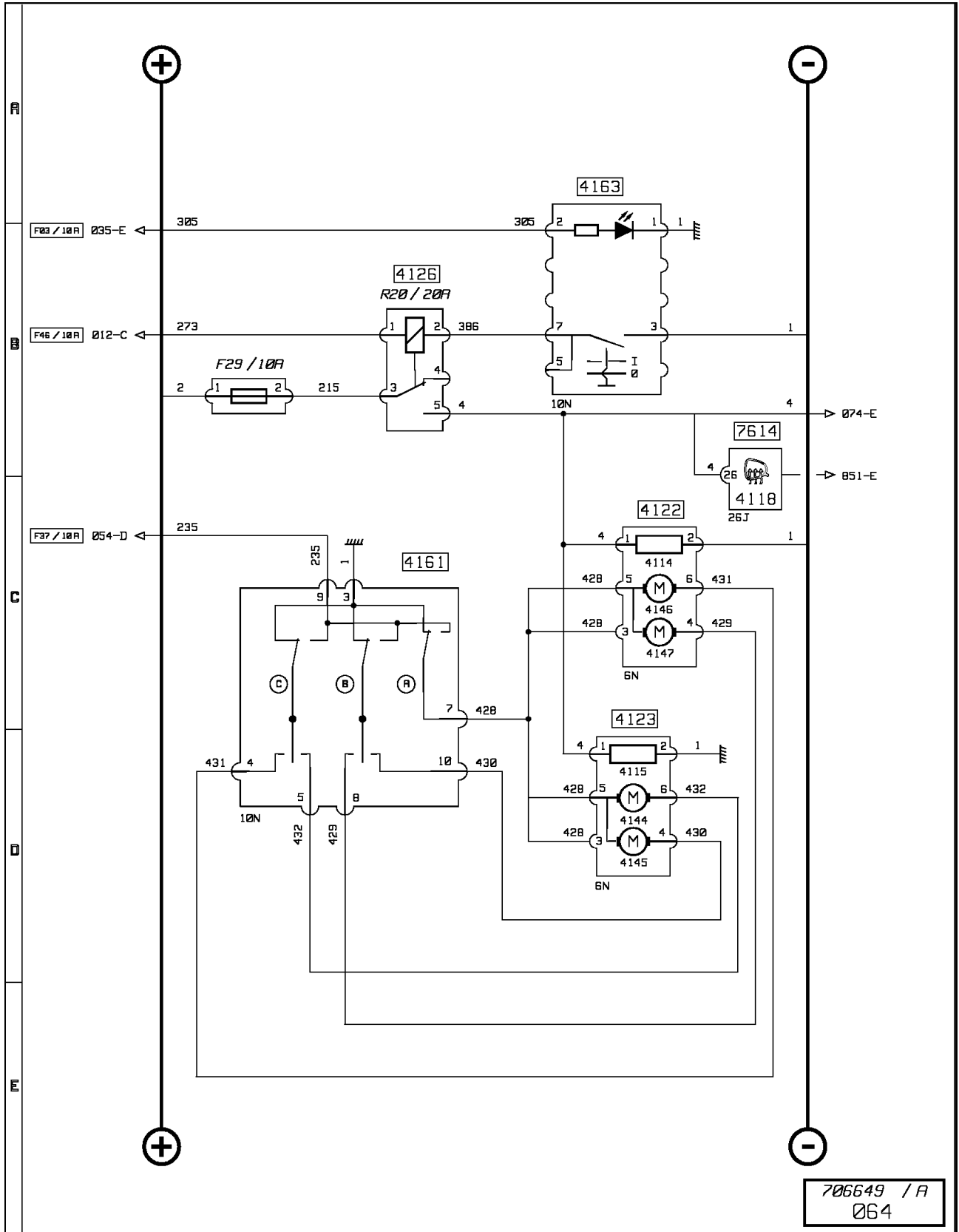
Electric window raiser



Electric window raiser**Key to appliances**

Code N°	Name of function	Location
4135	Electric roof ventilator motor	B3a
4160	Electric roof ventilator control	C2a
4311	Driver's window winder motor	C2c
4312	Passenger's window winder motor	A2c
4313	RH rear door window winder motor	A3a
4314	LH rear door window winder motor	A3c
4361	Driver's window winder control	C2b
4362	Passenger's window winder control	A2b
4363	RH rear door window winder control	A3a
4364	LH rear door window winder control	A3c
4365	Passenger's window winder control (driver's side)	C2b

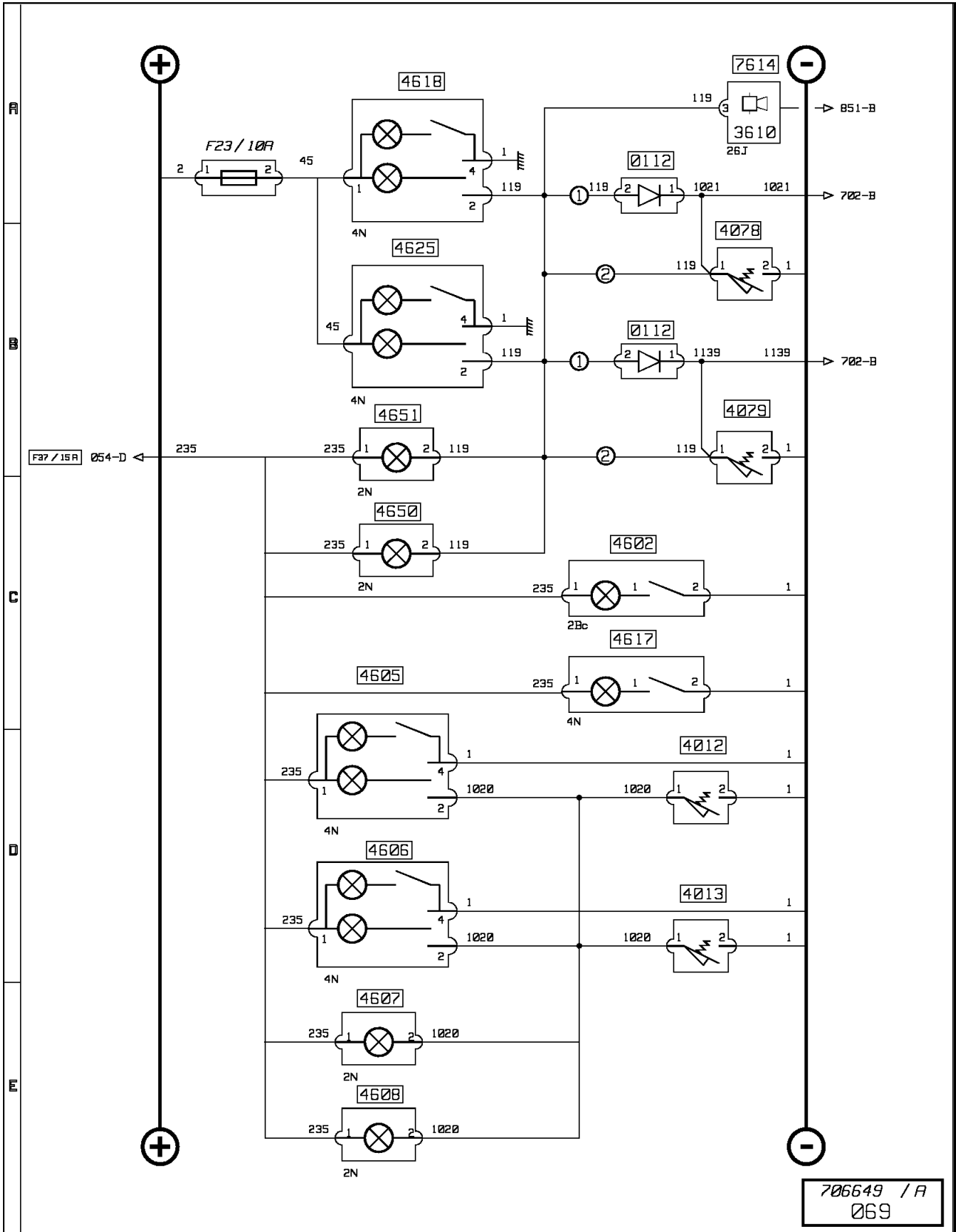
Swivelling heated rearview mirrors



Swivelling heated rearview mirrors**Key to appliances**

Code N°	Name of function	Location
4114	LH defrosting rearview mirror	C2a
4115	RH de-icing rearview mirror	A2a
4118	Defrosting rearview mirrors warning lamp	C2b
4122	LH swivelling defrosting rearview mirror	C2a
4123	RH swivelling defrosting rearview mirror	A2a
4126	Defrosting rearview mirrors resistor power supply relay	A2c
4144	RH rearview mirror horizontal swivelling control	A2a
4145	RH rearview mirror vertical swivelling control	A2a
4146	LH rearview mirror horizontal swivelling control	C2a
4147	LH rearview mirror vertical swivelling control	C2a
4161	External rearview mirrors swivelling control	C2b
4163	Defrosting rearview mirror control	C2a
7614	Principal display	C2b

Comfort lighting



Comfort lighting**Key to appliances**

Code N°	Name of function	Location
0112	Diode(s)	B2a C2b A2c
3610	Lights forgotten alarm	C2b
4012	LH rear door switch	A3a
4013	RH rear door switch	A3c
4078	Drivers door switch	C2c
4079	Passenger's door switch	A2c
4602	Rear map reader lighting	C4a
4605	LH rear door overhead lamp	A3c
4606	RH rear door overhead lamp	A3a
4607	LH rear door step lamp	C3c
4608	RH rear door step lamp	C3a
4617	Top bunk overhead lamp	C4a
4618	Driver's overhead lamp	B2a
4625	Passenger's overhead lamp	B2a
4650	Driver's step lighting	C2c
4651	Passenger's step lighting	A2c
7614	Principal display	C2b

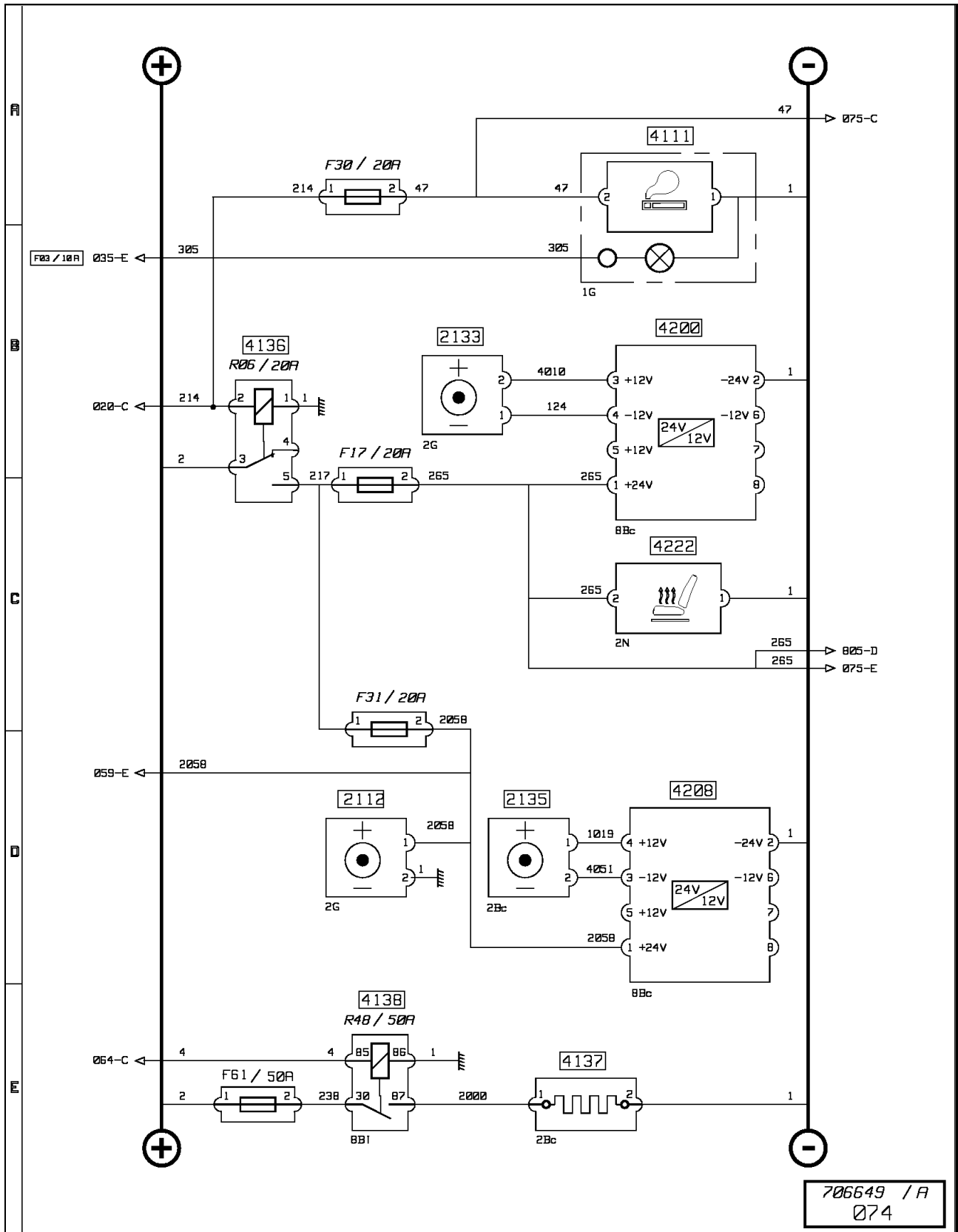
1: with "ALLISON" gearbox or alarm

2: without "ALLISON" gearbox and without alarm

3: with alarm

4: without alarm

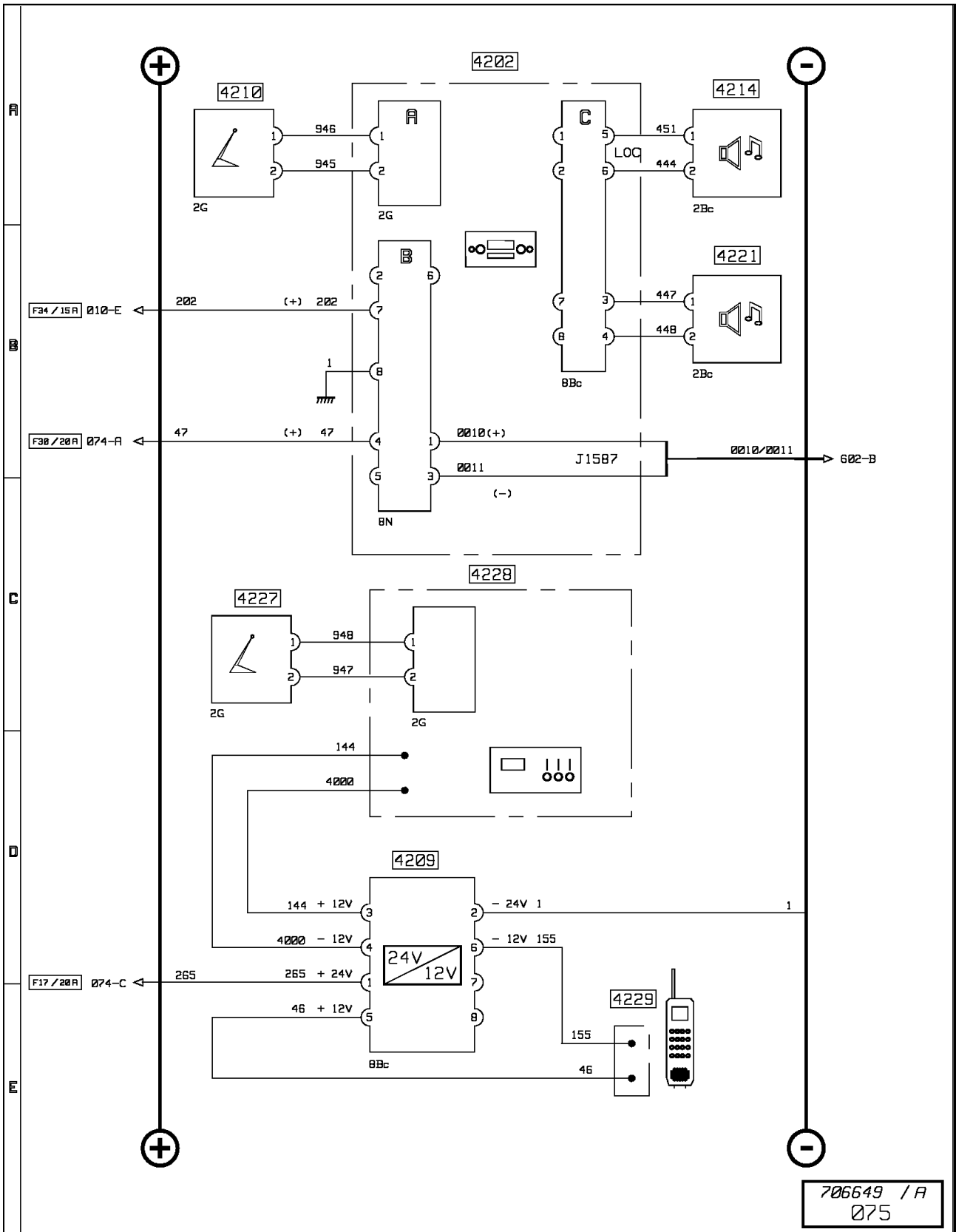
Comfort accessories



Comfort accessories**Key to appliances**

Code N°	Name of function	Location
2112	"24 Volts" plug socket	C2c
2133	"12 Volts" plug socket	B2b
2135	Extra 12 Volts socket	B2b
4111	Cigar lighter	C2b
4136	Comfort accessories power supply relay	A2c
4137	Windscreen defrosting resistor	A1a
4138	Windscreen defrosting resistor power supply time-delay relay	B1c
4200	Voltage dropper (12 Volts socket)	A2c
4208	Voltage dropper (24V / 12V) - Secondary 12 Volts socket	A2c
4222	Driver's heated seat resistor	C3c

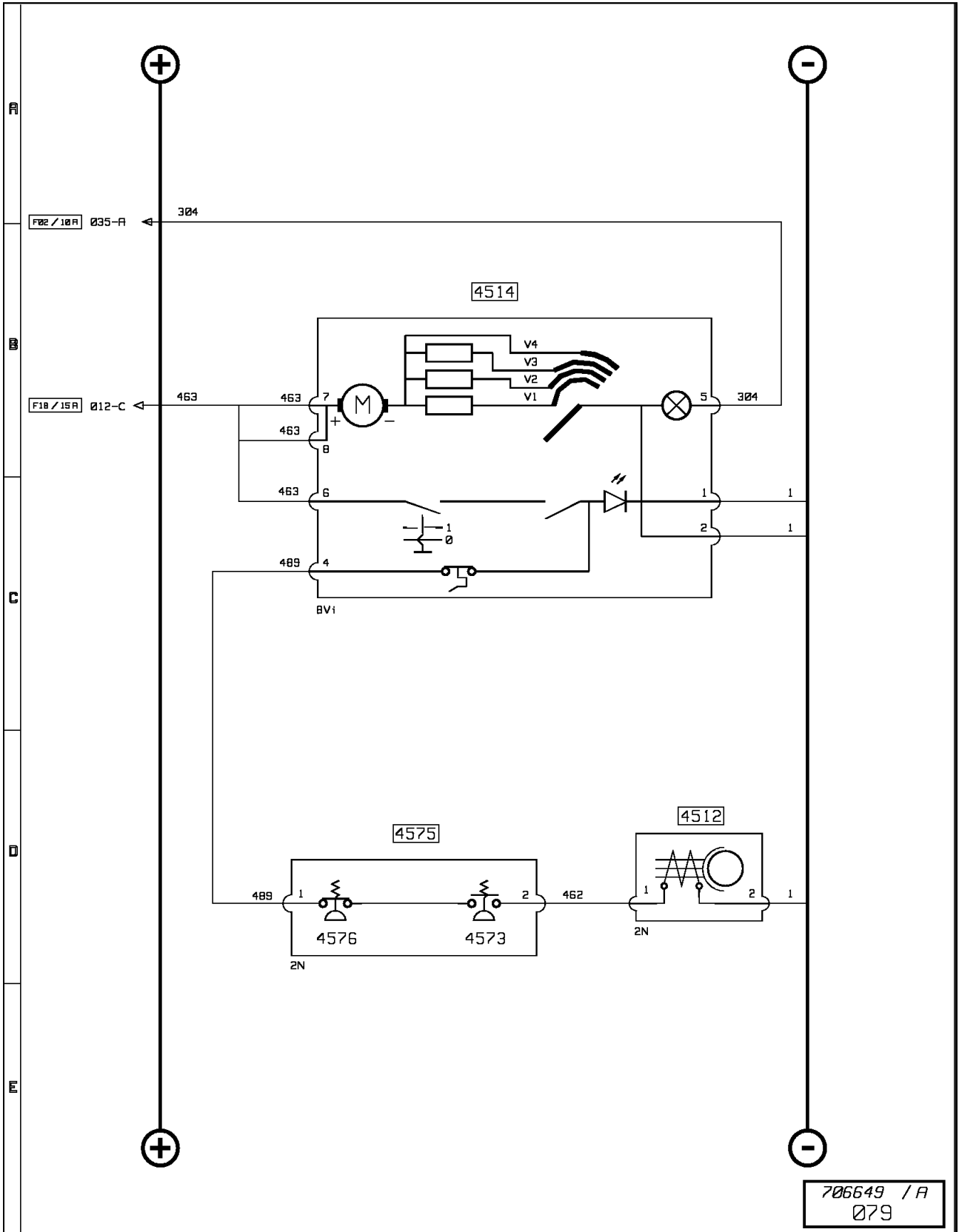
Radio, CB radio and telephone



Radio, CB radio and telephone**Key to appliances**

Code N°	Name of function	Location
4202	Radio	C2a
4209	Voltage dropper (24V / 12V) - telecommunications	C2a
4210	Antenna	B2a
4214	Driver's loudspeaker	C2b
4221	Passenger's loudspeaker	A2a
4227	CB antenna	C3a
4228	CB radio	C2a
4229	Telephone	C2a

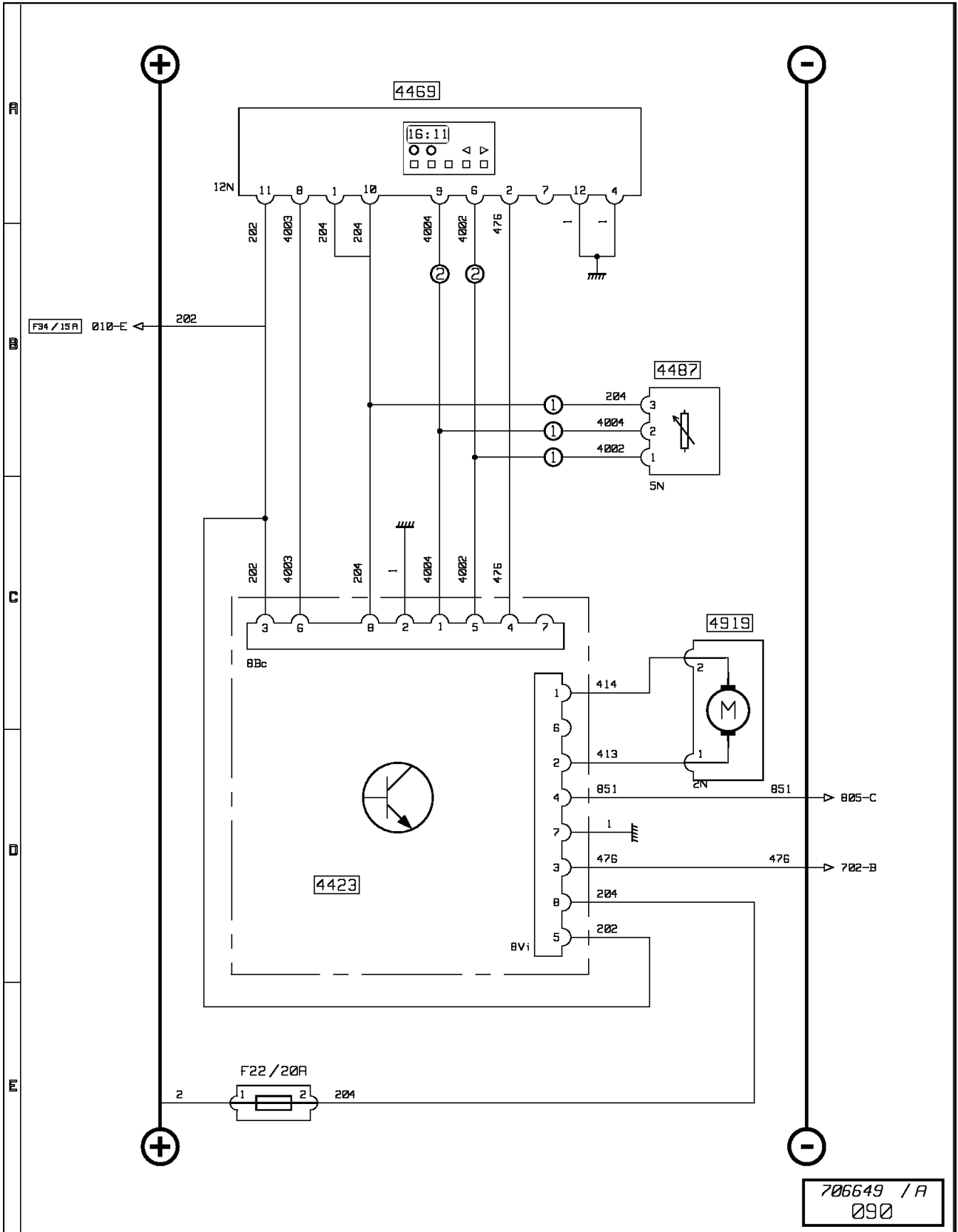
Air conditioning



Air conditioning**Key to appliances**

Code N°	Name of function	Location
4512	Air conditioning compressor	B2d
4514	Air conditioning	B2c
4573	Low pressure controller	B1c
4575	3-level air conditioning pressure controller	B1c
4576	High pressure controller	B1c

Air/air independent (add-on) heating "AT2000" (except "ADR")



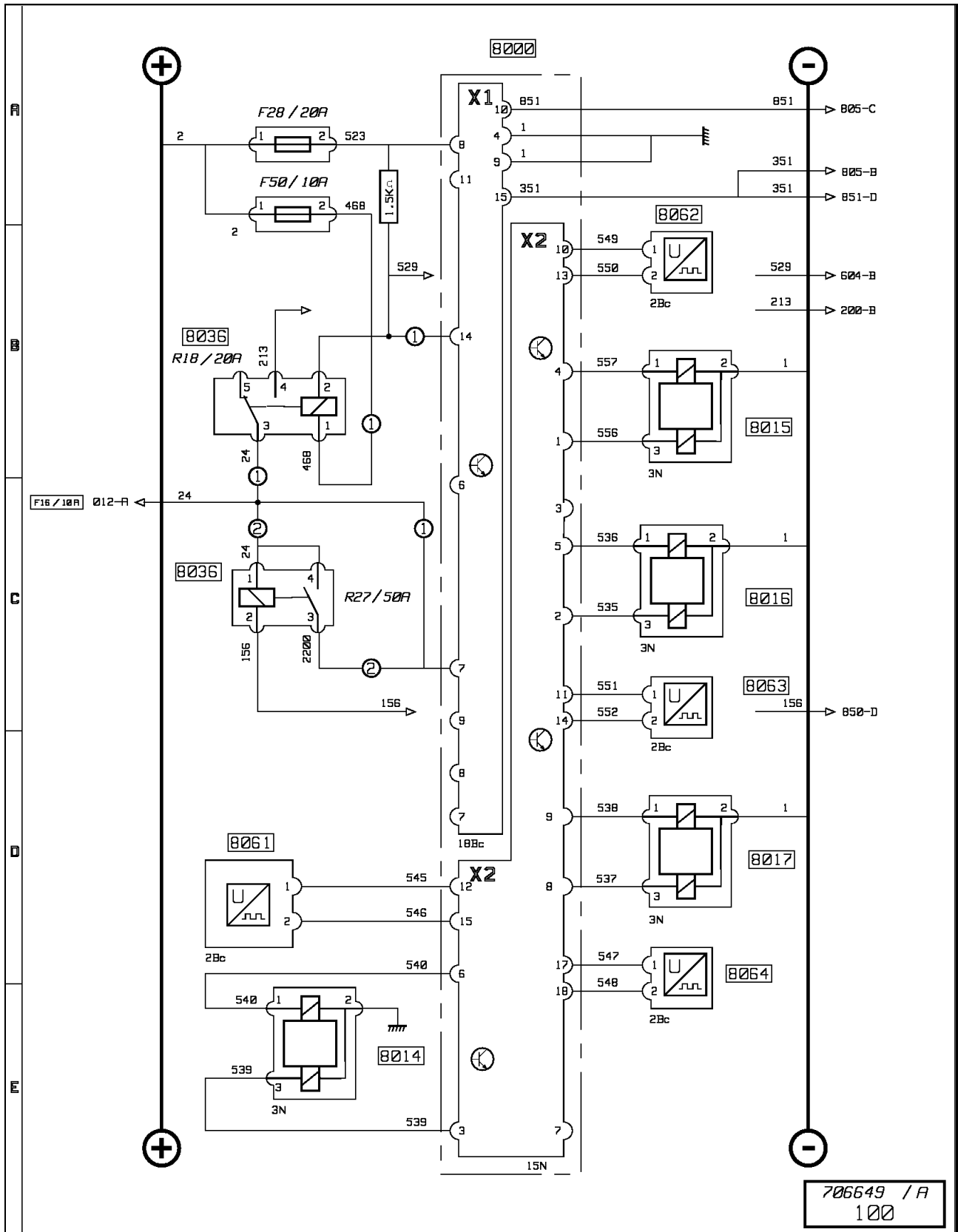
Air/air independent (add-on) heating "AT2000" (except "ADR")**Key to appliances**

Code N°	Name of function	Location
4423	Air/air independent heater	A3c
4469	Independent heater timer control	C3a
4487	Temperature variator	C3a
4919	Fuel feed pump	B3c

1: without 2-metre cab

2: with 2-metre cab

"ABS" braking system



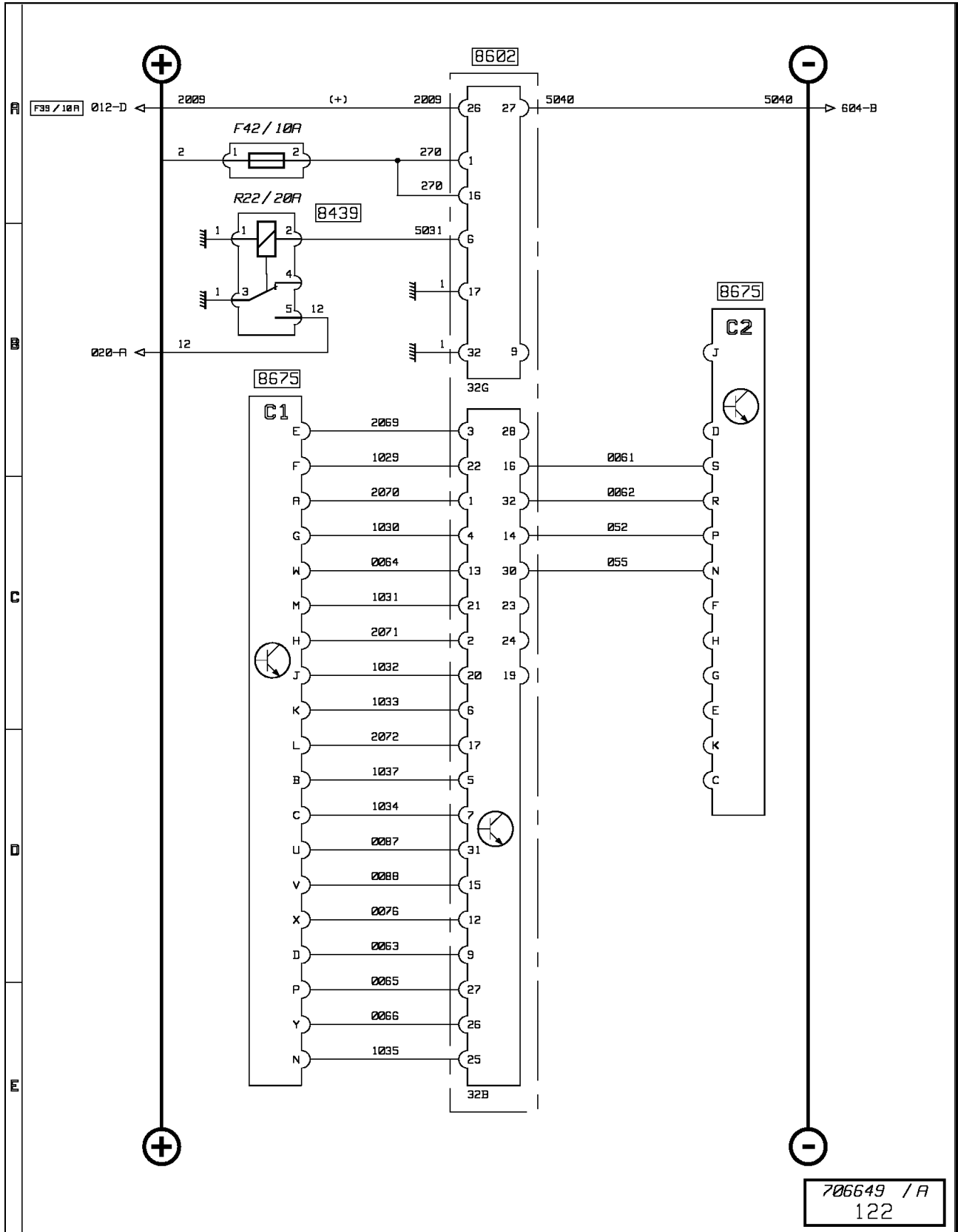
"ABS" braking system**Key to appliances**

Code N°	Name of function	Location
8000	"ABS" ECU	A2c
8014	ABS LH front roadwheel electrovalve	C3d
8015	ABS RH front roadwheel electrovalve	A3d
8016	ABS LH rear roadwheel electrovalve	B7d B8d
8017	ABS RH rear roadwheel electrovalve	B7d B8d
8036	"ABS" retarder phase cut-off relay	A2b
8061	ABS LH front roadwheel sensor	C3d
8062	ABS RH front roadwheel sensor	A3d
8063	ABS LH rear roadwheel sensor	C7d / C8d
8064	ABS RH rear roadwheel sensor	C7d / C8d

1: with all-terrain option

2: without all-terrain option

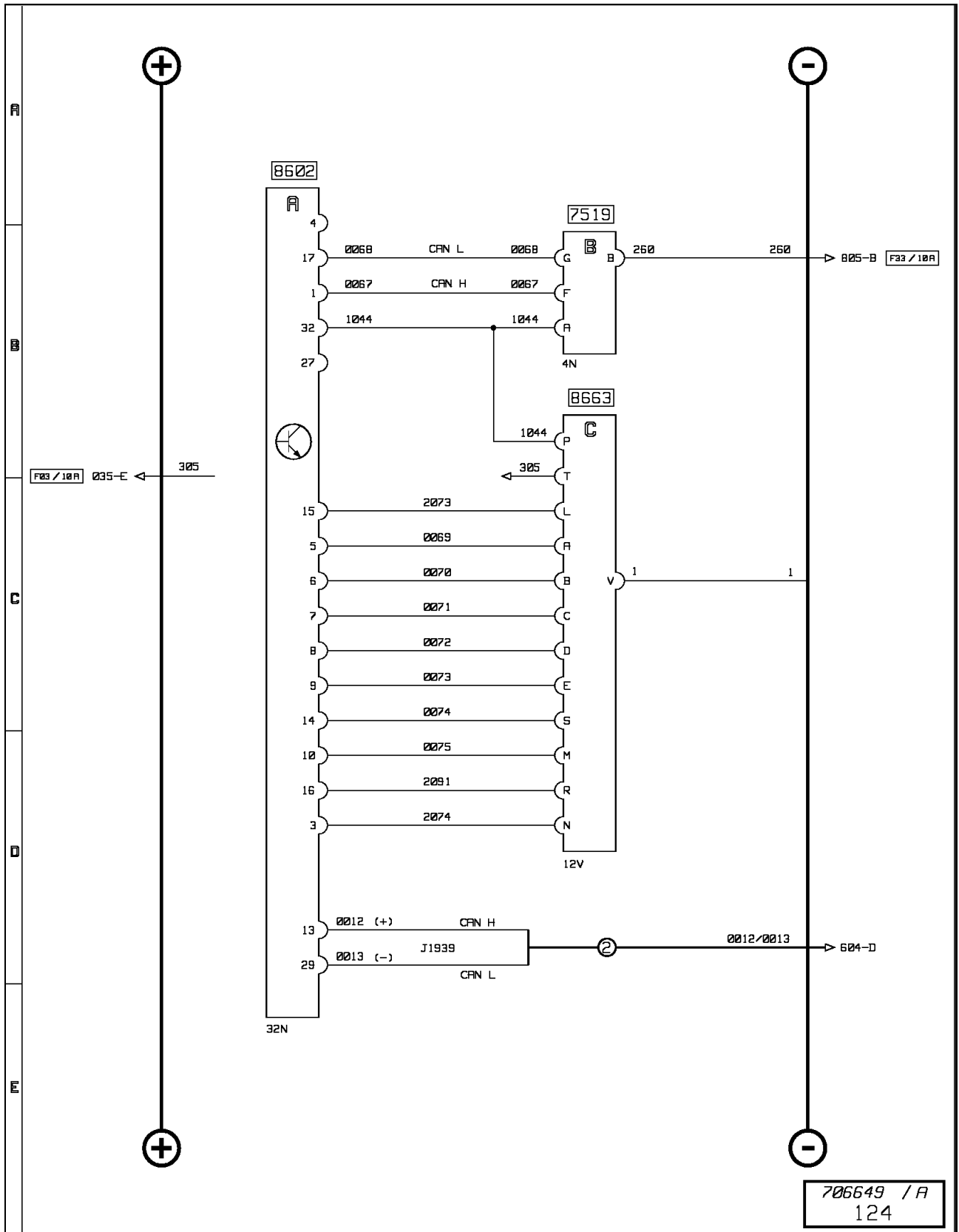
Gearbox "ALLISON" (1/2)



Gearbox "ALLISON" (1/2)**Key to appliances**

Code N°	Name of function	Location
8602	Automatic gearbox ECU	A2c
8439	Neutral relay	B2c
8675	Gearbox control solenoid valves block	B4c

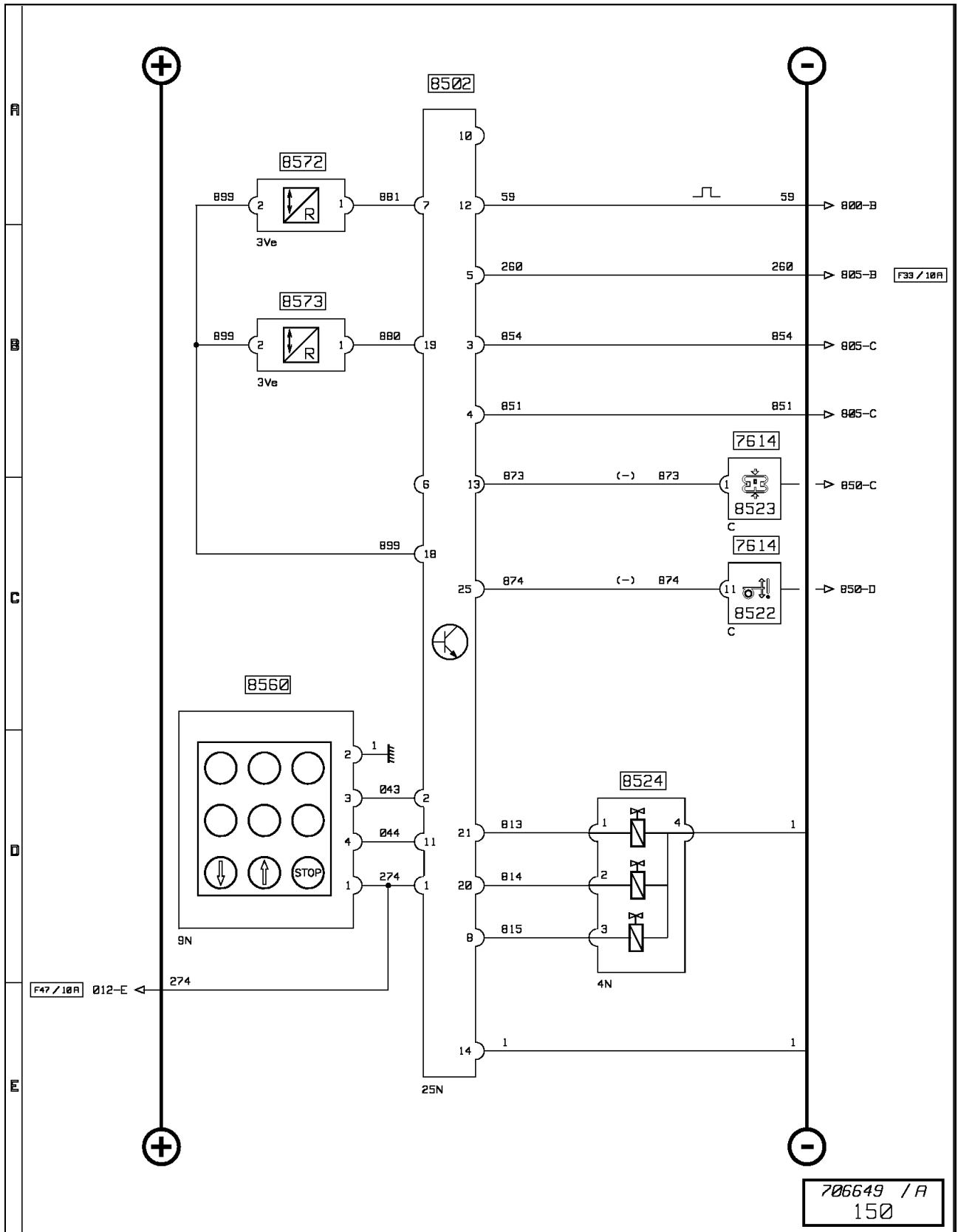
Gearbox "ALLISON" (2/2)



Gearbox "ALLISON" (2/2)**Key to appliances**

Code N°	Name of function	Location
7519	Diagnostics socket	C3c
8602	Automatic gearbox ECU	A2c
8663	Gear control lever or gearshift control box	B3c

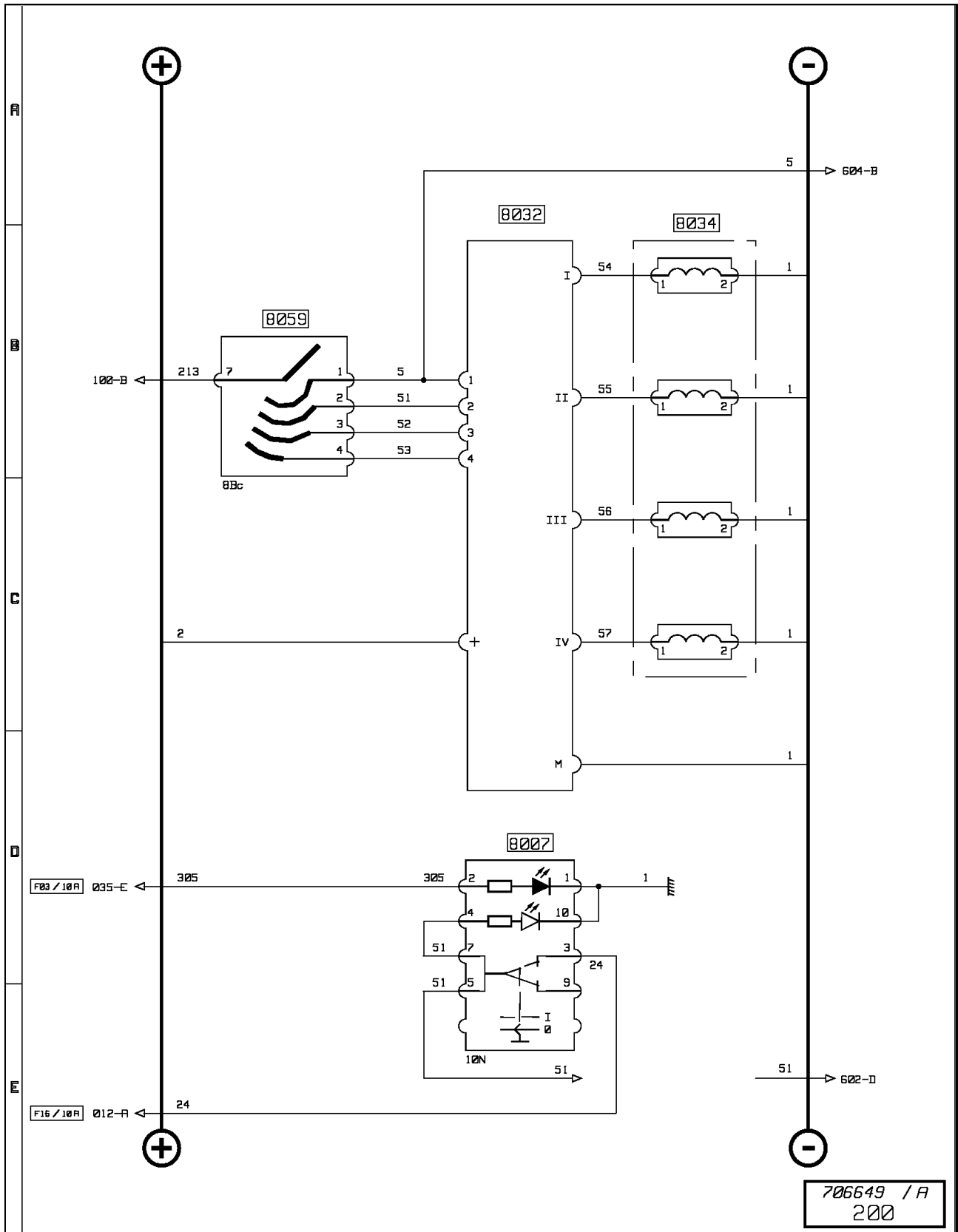
Air suspension "4X2"



Air suspension "4X2"**Key to appliances**

Code N°	Name of function	Location
7614	Principal display	C2b
8502	Suspension ECU	A2c
8522	Suspension information warning lamp	C2b
8523	Suspension alert warning lamp	C2b
8524	Rear suspension electrovalve block	B7d B8d
8560	Air suspension remote control box	C3c
8572	Suspension level RH rear sensor	A7d A8d
8573	Suspension level LH rear sensor	C7d C8d

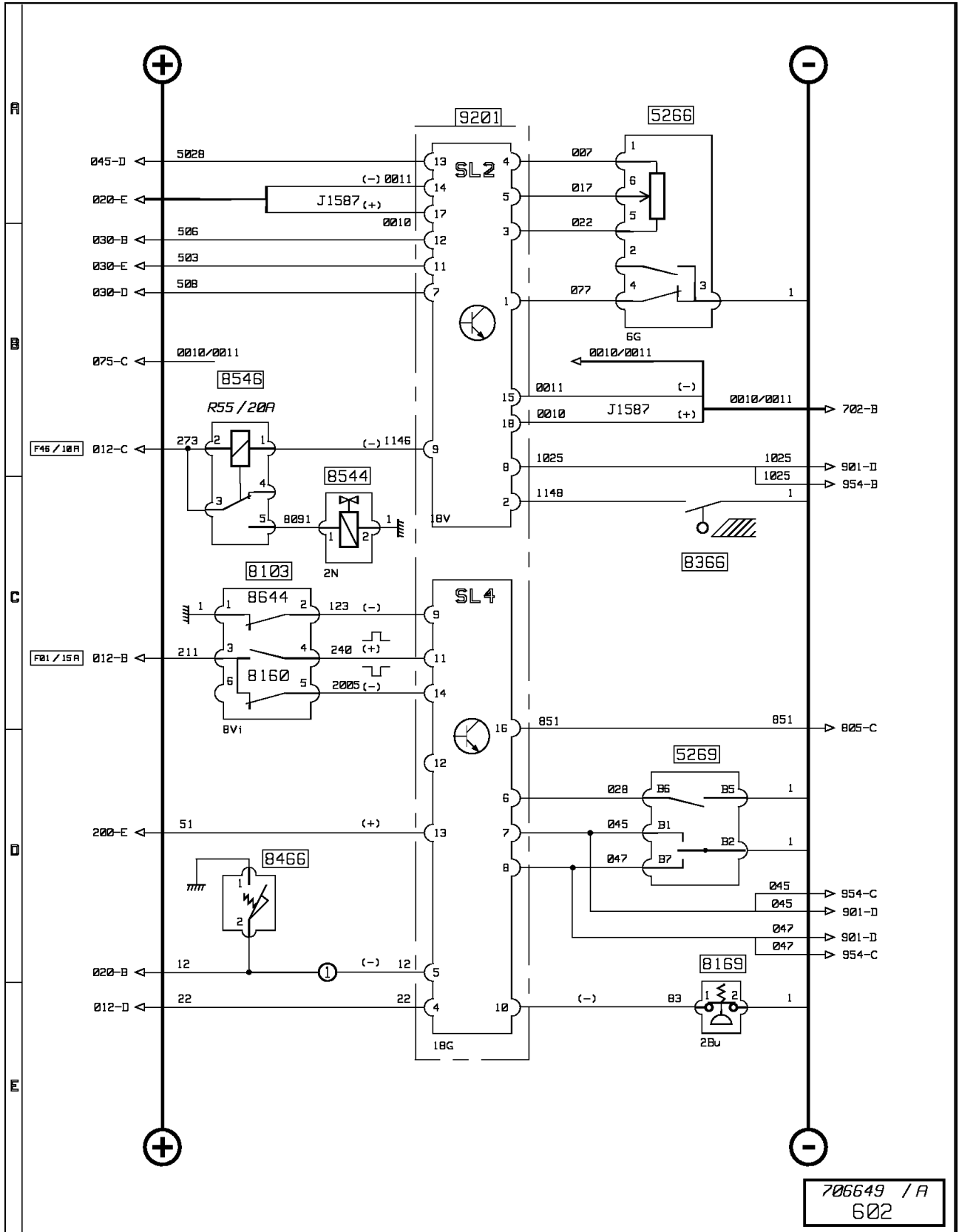
Electric retarder



Electric retarder**Key to appliances**

Code N°	Name of function	Location
8007	Exhaust brake and engine brake control	B2b
8032	Electric retarder relay box	A2c
8034	Electric retarder	B5d
8059	Electric or hydraulic retardation control	C2b

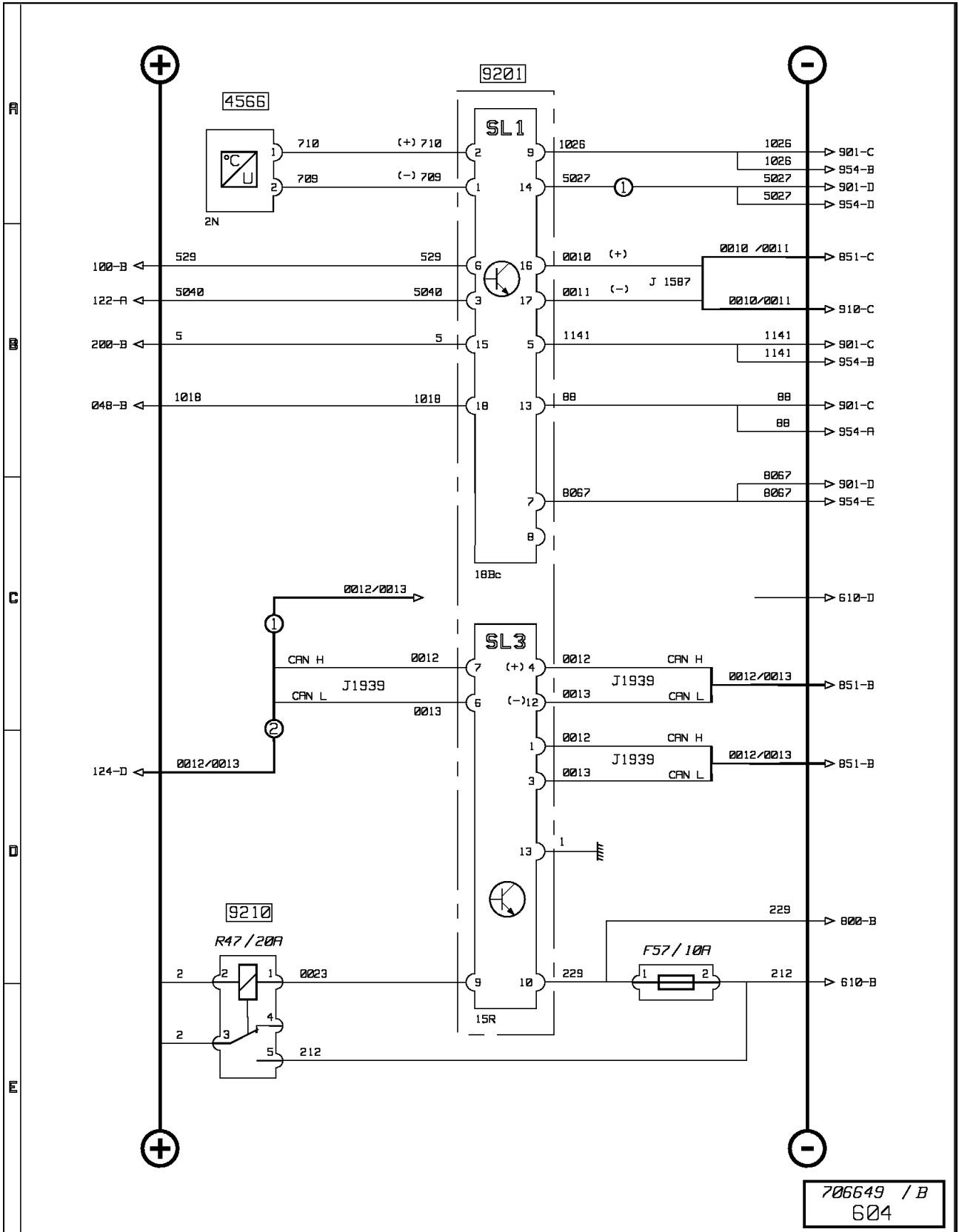
Vehicle electronic management (1/2)



Vehicle electronic management (1/2)**Key to appliances**

Code N°	Name of function	Location
5266	Accelerator pedal position sensor	C2c
5269	Engine cruise control and speed regulator adjustment control	C2b
8103	Clutch switch and stop lights switch position sensor	C2c
8169	Parking brake air pressure switch	C5d
8366	Power take-off position sensor	B4d
8466	Neutral switch position sensor	B4d
8544	Self-tracking axle electrovalve	B7c
8546	Self-tracking axle safety relay	B7c
8644	Clutch switch contact position sensor	C2c
8660	"Gearbox input" speed sensor	C2c
9201	Vehicle master ECU (VECU)	B3c

Vehicle electronic management (2/2)



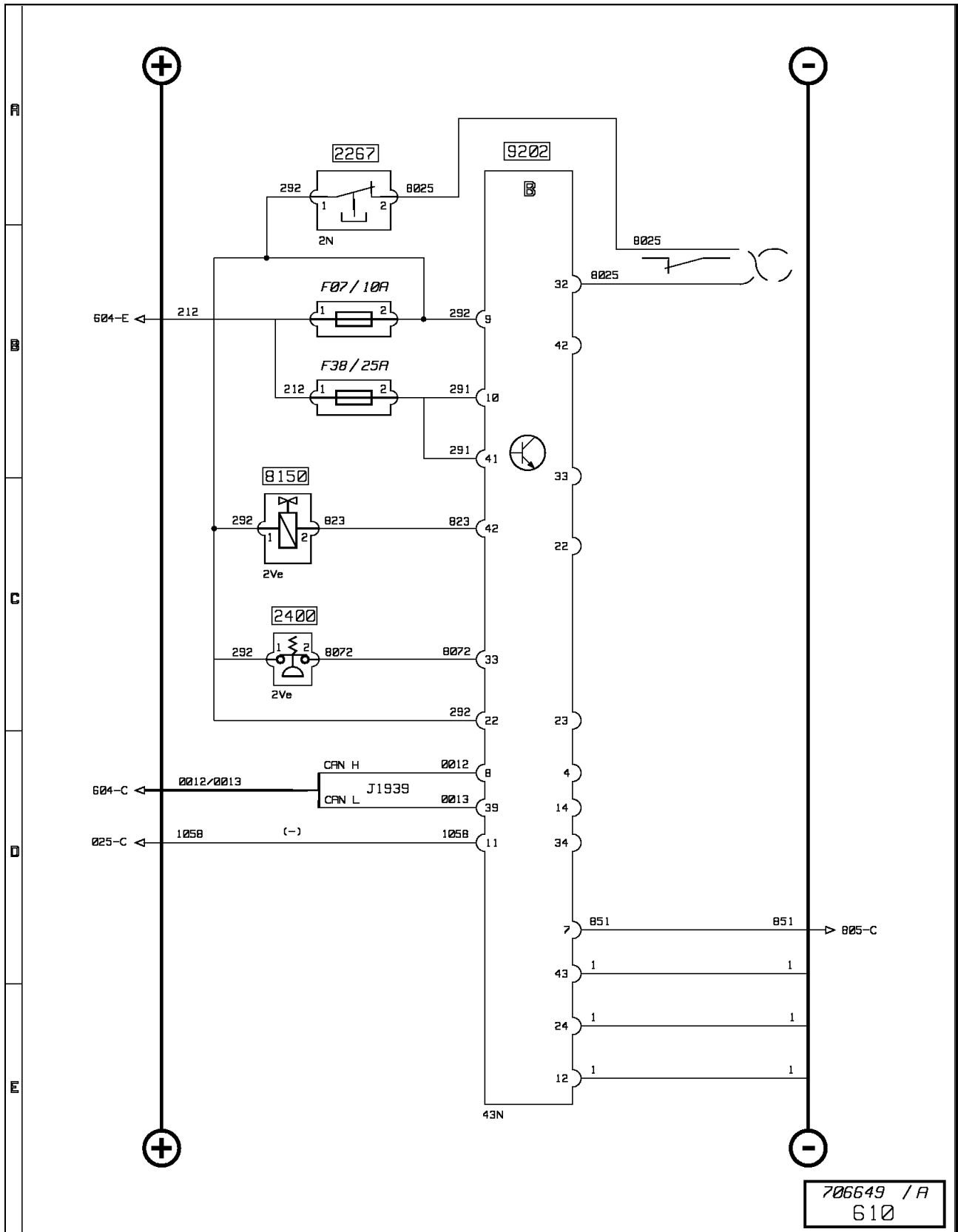
Vehicle electronic management (2/2)**Key to appliances**

Code N°	Name of function	Location
4566	External temperature sensor	A1c
9201	Vehicle master ECU (VECU)	B3c
9210	"VECU / EECU" power supply relay	B3c

1: with other gearboxes

2: with "ALLISON" gearbox

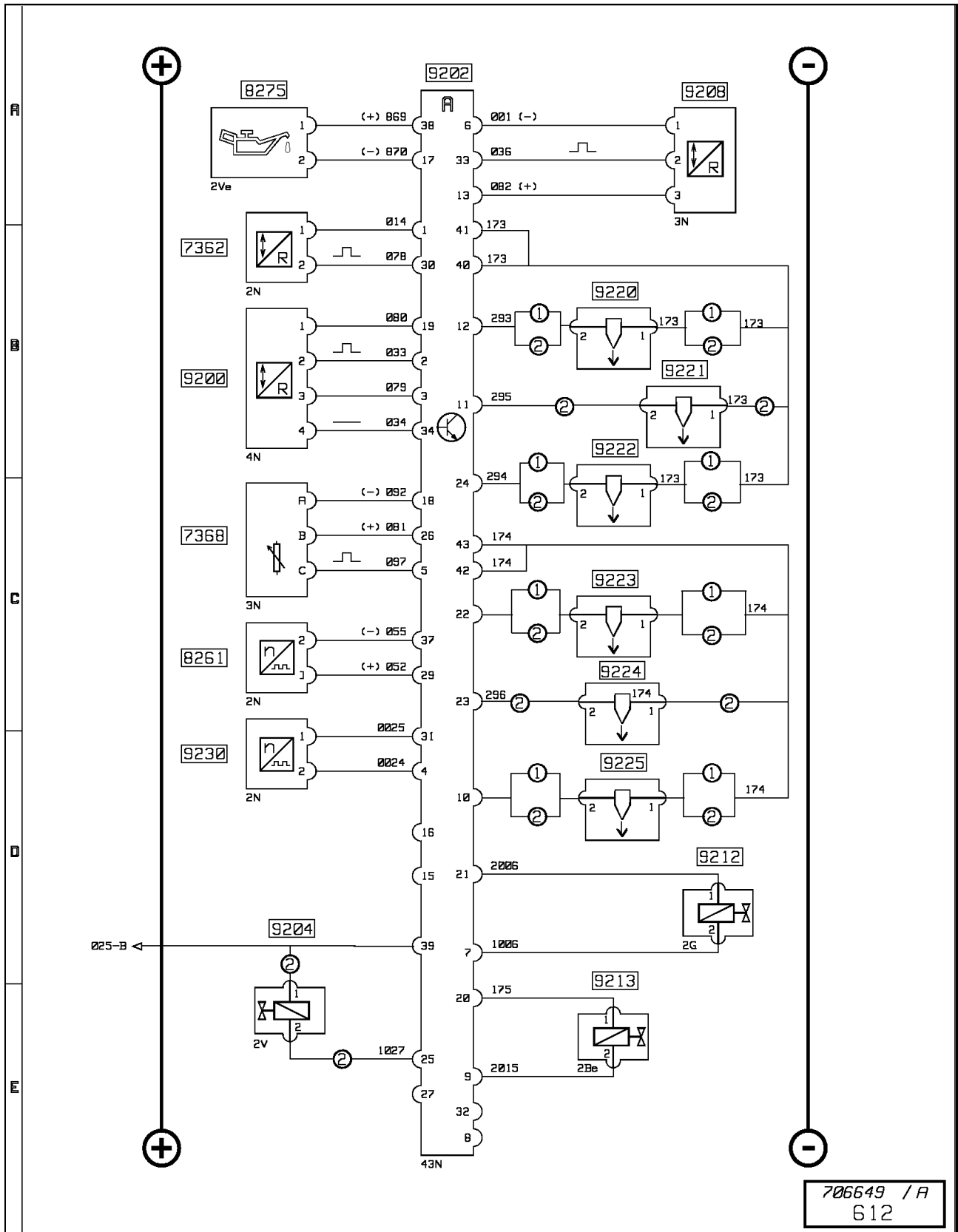
Engine electronic management (1/2)



Engine electronic management (1/2)**Key to appliances**

Code N°	Name of function	Location
2267	Engine compartment engine stop control	A2c
2400	Fuel filter clogging pressure switch	C3c B3b
8150	Exhaust brake electrovalve	B3c
9202	Engine master ECU (EECU)	B3c

Engine electronic management (2/2)



Engine electronic management (2/2)

Key to appliances

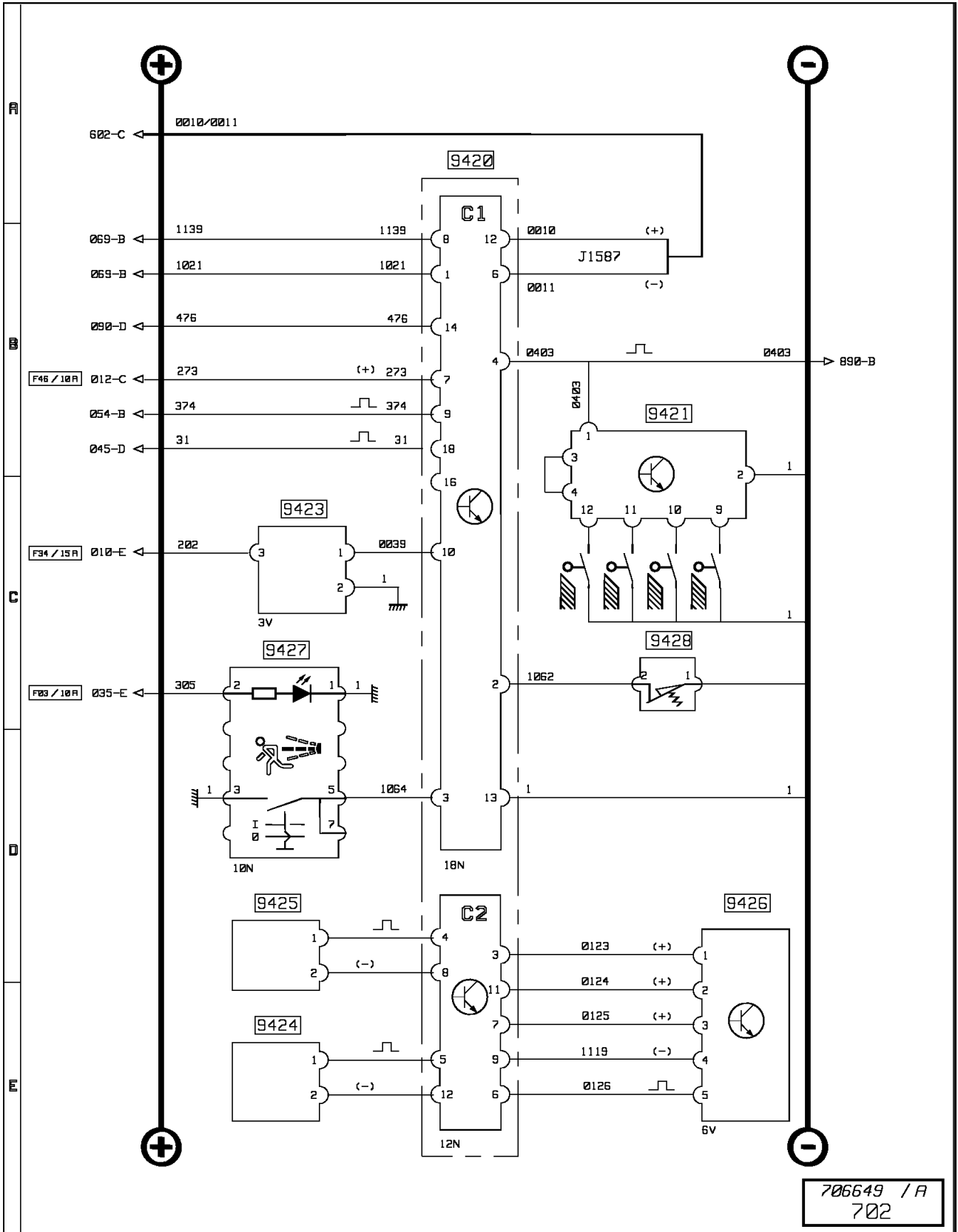
Code N°	Name of function	Location
7362	Coolant temperature sensor	B3c
7368	Oil pressure sensor	B3c
8261	Engine speed sensor	B3c
8275	Engine oil level sensor	B3d
9200	Boost air pressure and temperature sensor	B3c
9202	Engine master ECU (EECU)	B3c
9204	"EGR" electrovalve	B3c
9208	Fuel high pressure sensor	B3c
9212	High Pressure pump, solenoid valve cylinder	B3c
9213	High Pressure pump, solenoid valve cylinder	B3c
9220	Unit pump N°1 incorporating solenoid valve	B3c
9221	Unit pump N°2 incorporating solenoid valve	B3c
9222	Unit pump N°3 incorporating solenoid valve	B3c
9223	Unit pump N°4 incorporating solenoid valve	B3c
9224	Unit pump N°5 incorporating solenoid valve	B3c
9225	Unit pump N°6 incorporating solenoid valve	B3c
9230	Camshaft speed sensor	B3c

1: with engine **dCi4**

2: with engine **dCi6**

3: with "EGR" option

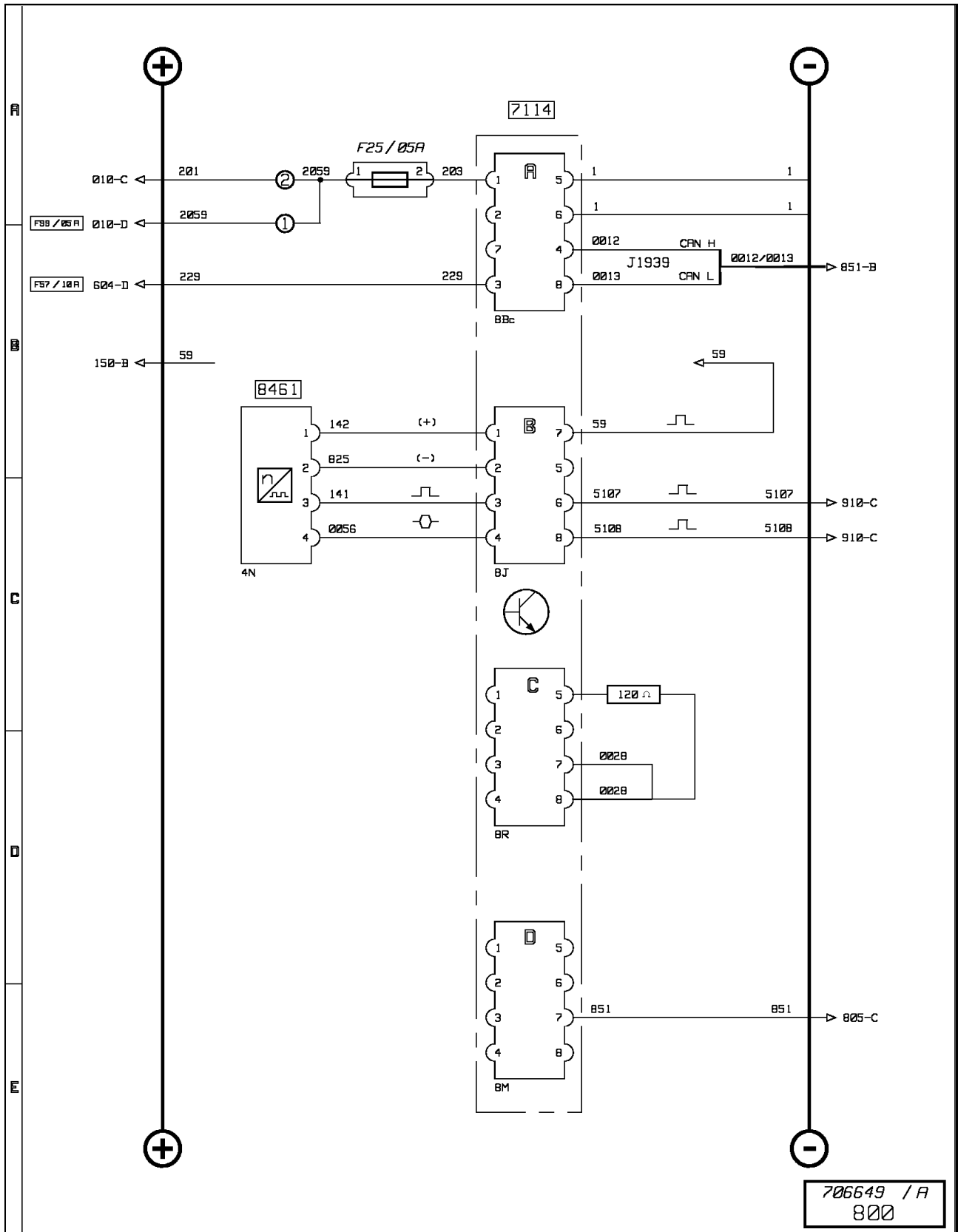
Alarm



Alarm**Key to appliances**

Code N°	Name of function	Location
9420	Anti-theft alarm ECU	C2a
9421	Rigid perimeter detection module	C2a
9423	Anti-theft alarm buzzer	A1d
9424	Ultrasonic transmitter	C2a
9425	Ultrasonic receiver	B2b
9426	Truck combination monitoring module	B2b
9427	Anti-aggression control	B2b
9428	Front grille closed position sensor	A1c

Tachograph



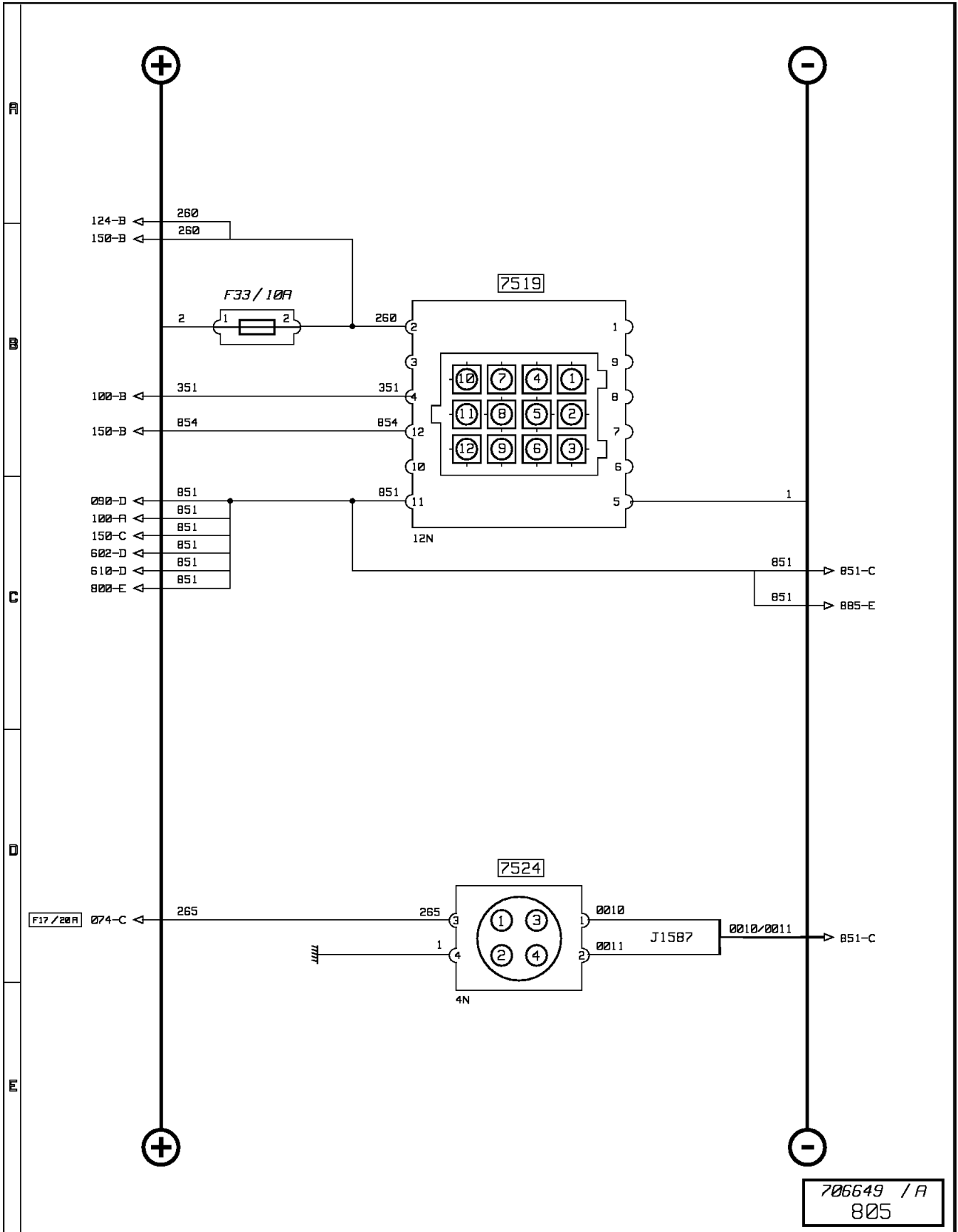
Tachograph**Key to appliances**

Code N°	Name of function	Location
7114	Electronic tachograph	C2b
8461	Vehicle speed sensor	B4d

1: with "ADR" equipment

2: without "ADR" equipment

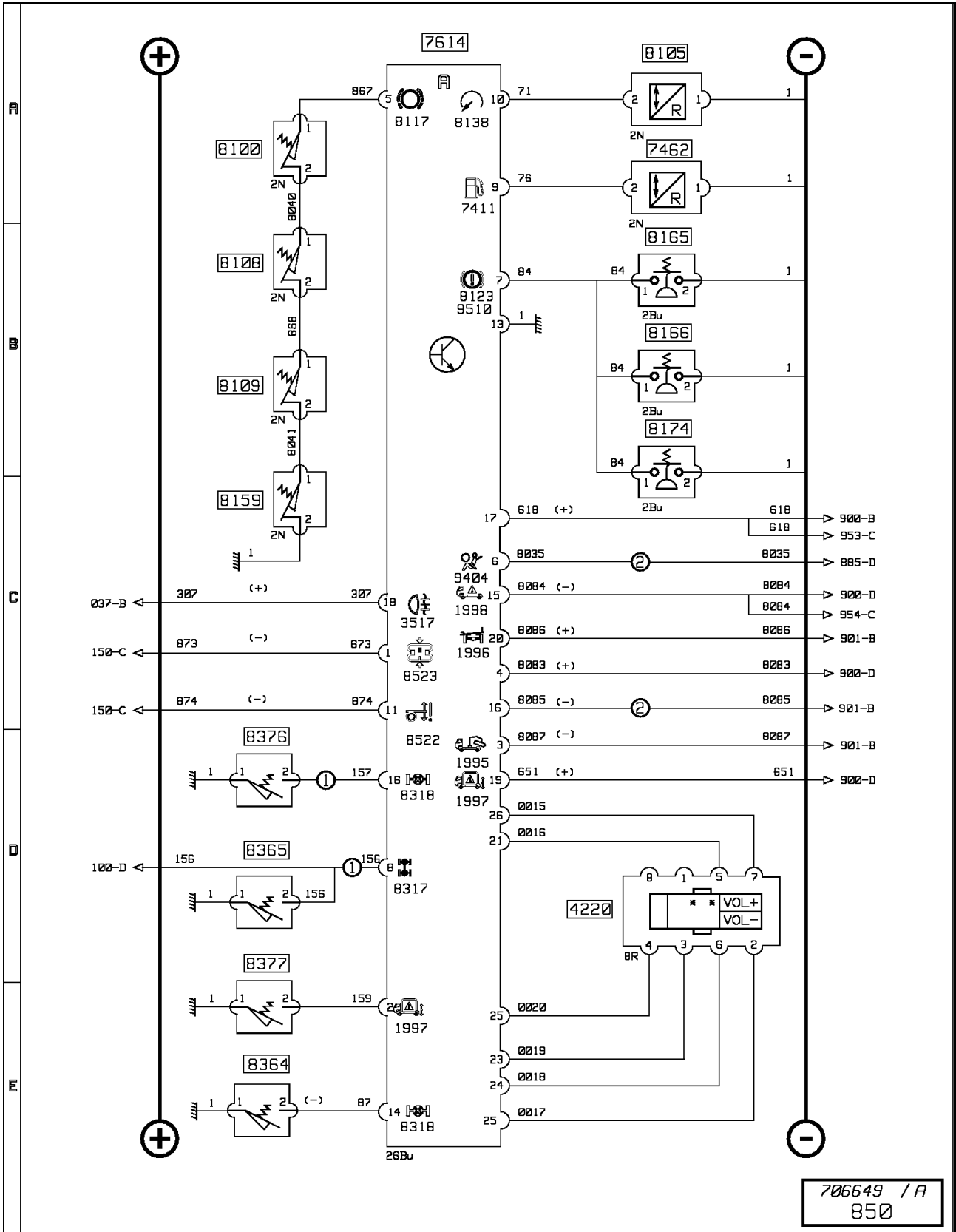
Diagnostics socket



Diagnostics socket**Key to appliances**

Code N°	Name of function	Location
7519	Diagnostics socket	C3c
7524	"SAE" diagnostic socket	C3c

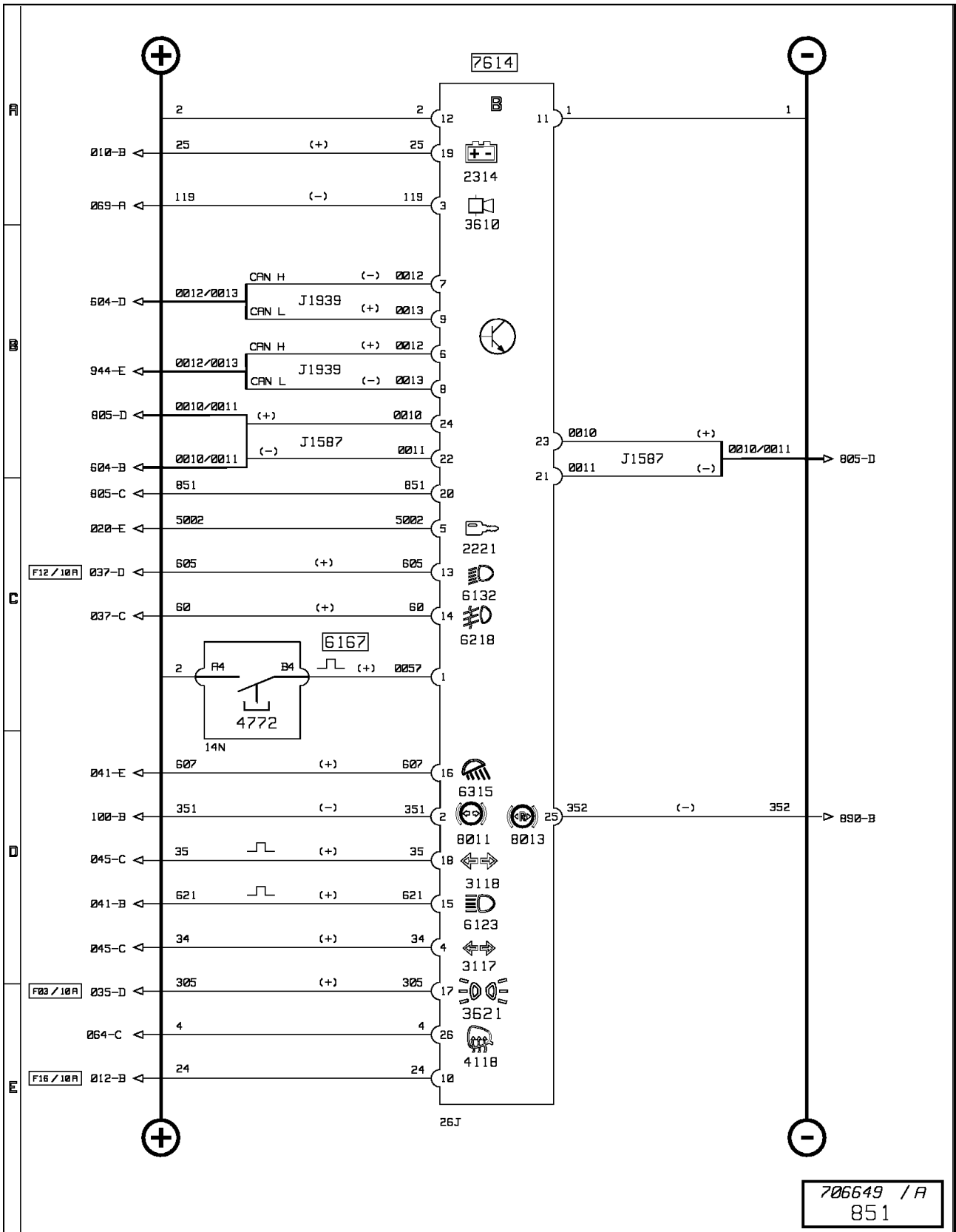
Principal display (1/2)



Principal display (1/2)**Key to appliances**

Code N°	Name of function	Location
1833	Available power supply (equipment "working" position "ALERT" warning lamp)	C2b
1995	Tipper raised "ALERT" warning lamp	C2b
1996	Sideboard open "ALERT" warning lamp	C2b
1997	Handrail folded "INFORMATION" warning lamp	C2b
1998	Work position equipment "ALERT" warning lamp	C2b
3517	Fog light(s) warning lamp	C2b
4220	Radio remote control	C2b
7411	Fuel level gauge	C2b
7462	Fuel level transmitter	A5c / C6c
7614	Principal display	A2b
8100	LH front brake pads wear switch sensor	C3d
8105	Rear air pressure transmitter	C5d
8108	RH front brake pads wear switch sensor	A3d
8109	LH rear brake pads wear switch sensor	A7d
8117	Brake lining wear warning lamp	C2b
8123	Air pressure alert warning lamp	C2b
8138	Brakes air pressure gauge	C2b
8159	RH rear brake pads wear switch sensor	C7d
8165	Rear brakes air pressure switch	C5d
8166	Front brakes air pressure switch	C5d
8174	Parking or trailer brake air pressure sensor	C5d
8317	Inter-axle differential lock warning lamp	C2b
8318	Inter-wheel differential lock warning lamp	C2b
8364	Inter-wheel differential lock switch	B7d B8d
8365	Inter axle diff. lock position sensor	B7d / B8d
8376	Front drive axle diff. lock position sensor	B3d
8377	Transfer box low speed position sensor	B4c
8522	Suspension information warning lamp	C2b
8523	Suspension alert warning lamp	C2b
9404	Airbag test and fault "Information" warning lamp	C2b
9510	Truck combination braking "ALERT" warning lamp	C2b

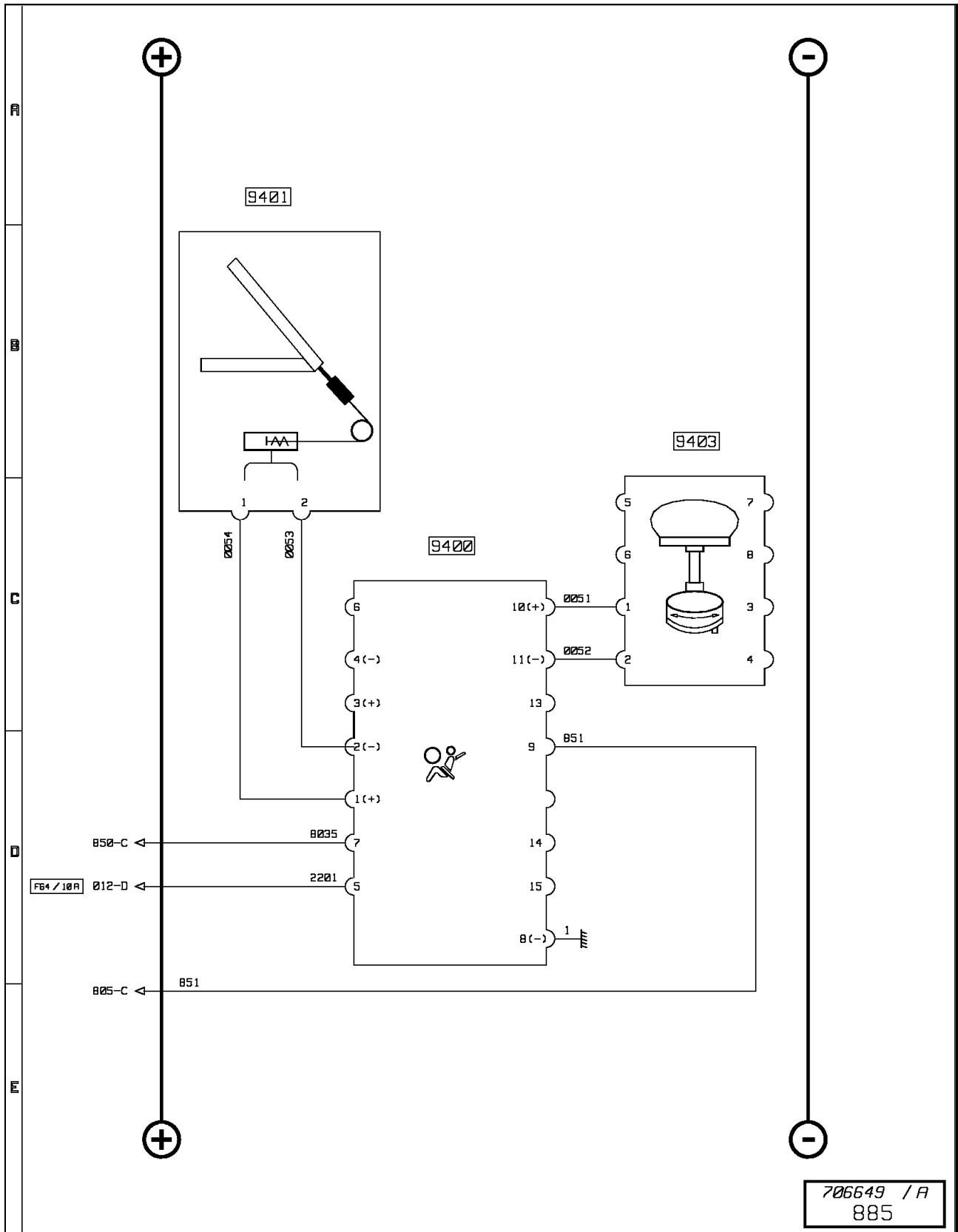
Principal display (2/2)



Principal display (2/2)**Key to appliances**

Code N°	Name of function	Location
2221	Electronic anti-theft "Information" warning lamp	C2b
2314	Battery charge warning lamp	C2b
3117	Rigid or tractor flasher repeater lamp	C2b
3118	Trailer flasher repeater lamp	C2b
3610	Lights forgotten alarm	C2b
3621	Side/parking lights warning lamp	C2b
4118	Defrosting rearview mirrors warning lamp	C2b
4772	Display scrolling menu control	C2b
6123	Main beam headlights warning lamp	C2b
6132	Dipped beam headlights warning lamp	C2b
6167	Steering column fingertip controls	C2b
6218	Fog driving lights warning lamp	C2b
6315	Working floodlight warning lamp	C2b
7614	Principal display	C2b
8011	ABS safety warning lamp	C2b
8013	Trailer ABS safety warning lamp	C2b

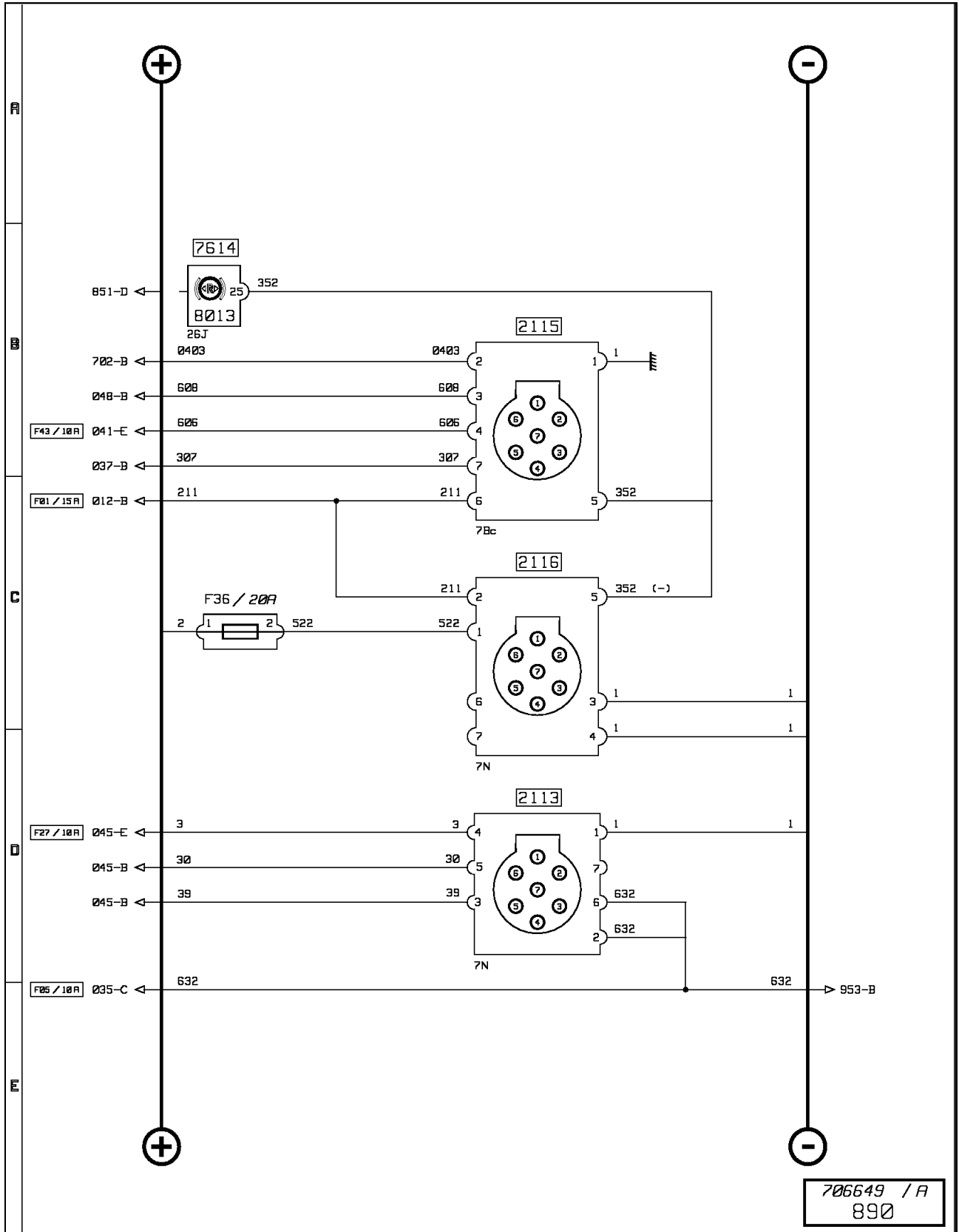
Seat belt pretensioner



Seat belt pretensioner**Key to appliances**

Code N°	Name of function	Location
9400	Airbag ECU	B3d
9401	Driver's seat belt pretensioner	B3c
9403	Airbag rotary switch	C2b

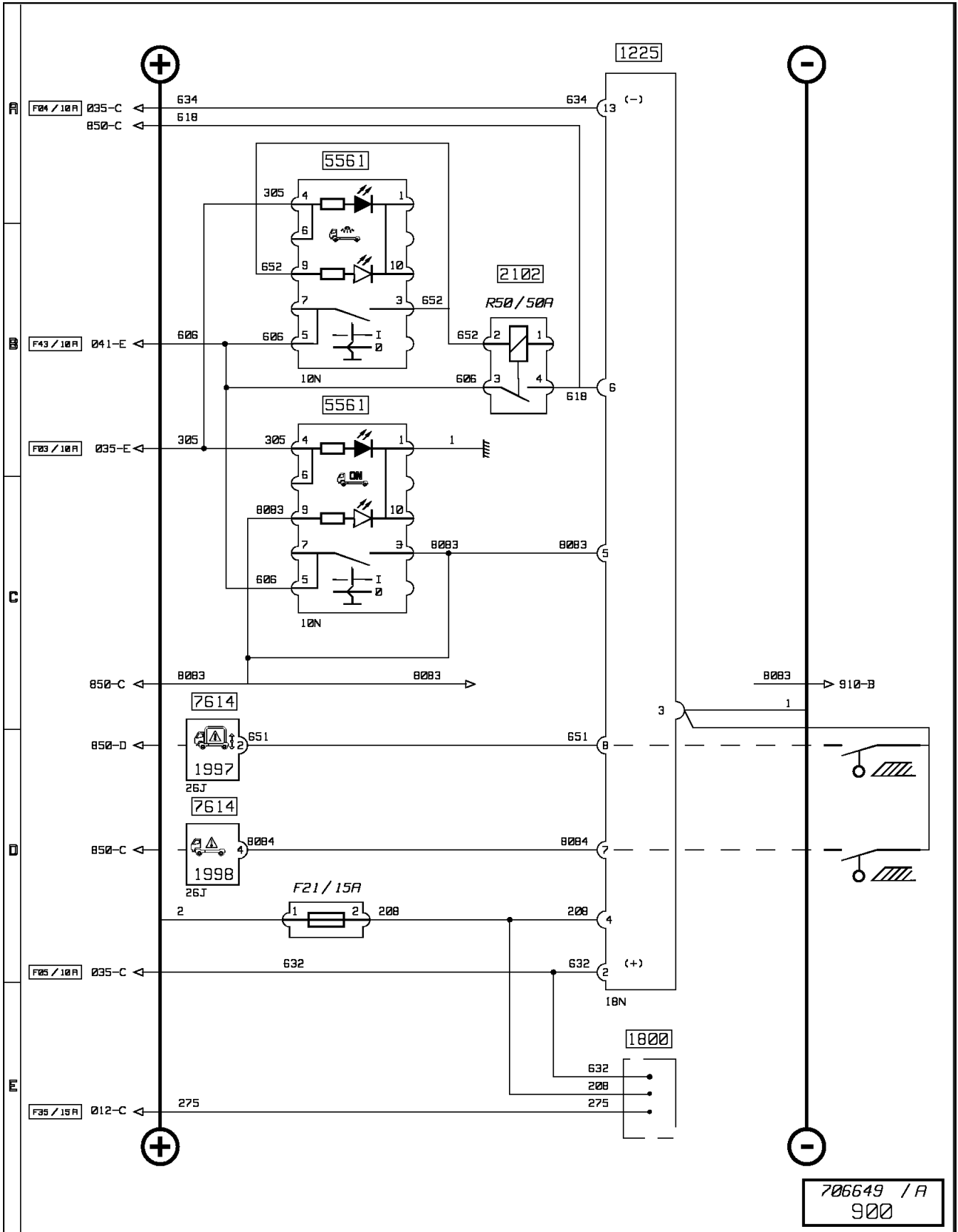
Trailer sockets



Trailer sockets**Key to appliances**

Code N°	Name of function	Location
2113	Trailer socket, 7-pin type 24 N	B9d
2115	Trailer socket, 7-pin type 24 S	B9d
2116	"ABS / EBS" 7-pin trailer socket	B9d
7614	Principal display	B2c
8013	Trailer ABS safety warning lamp	B2c

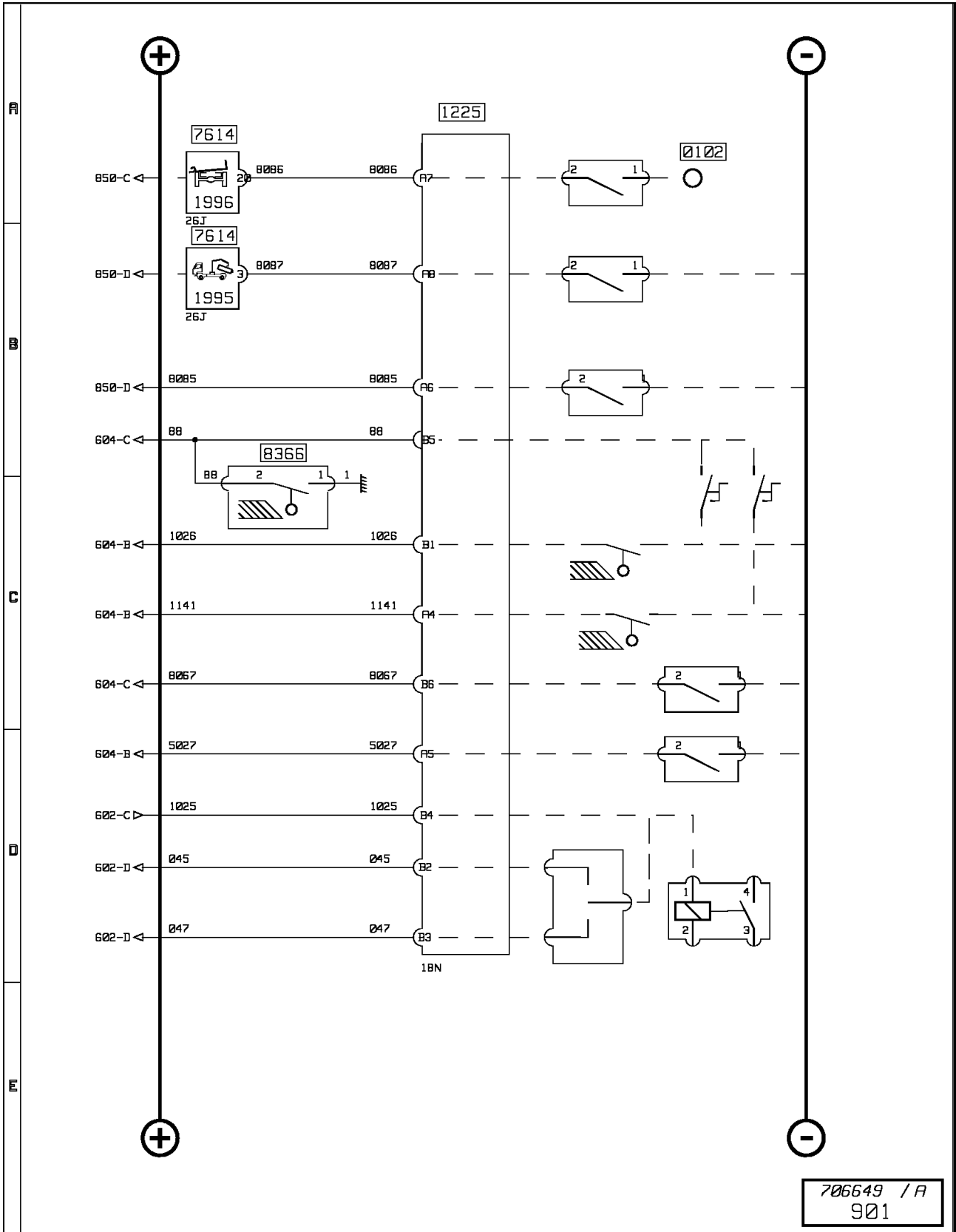
Available power supplies (1/2)



Available power supplies (1/2)**Key to appliances**

Code N°	Name of function	Location
1225	Chassis cab junction box	A1c
1800	Available power supply (insulated wires cut)	A2c
1997	Handrail folded "INFORMATION" warning lamp	C2b
1998	Work position equipment "ALERT" warning lamp	C2b
2102	Bodybuilder equipment available power supply relay	A2c
5561	Valves lighting control	C2a
7614	Principal display	C2b

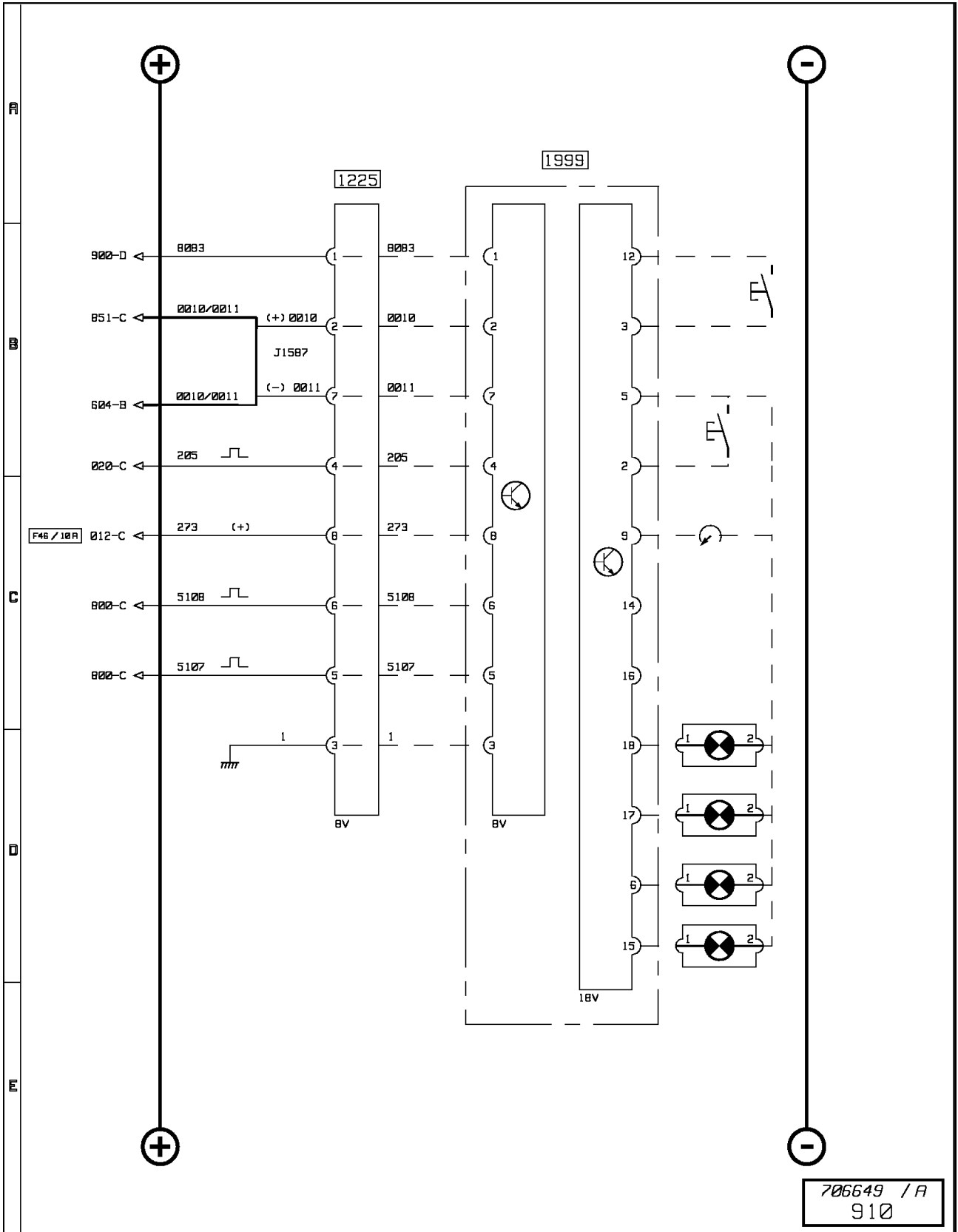
Available power supplies (2/2)



Available power supplies (2/2)**Key to appliances**

Code N°	Name of function	Location
0102	Electrical connection terminal	C4d
1225	Chassis cab junction box	A1c
1995	Tipper raised "ALERT" warning lamp	C2b
1996	Sideboard open "ALERT" warning lamp	C2b
7614	Principal display	C2b
8366	Power take-off position sensor	B4d

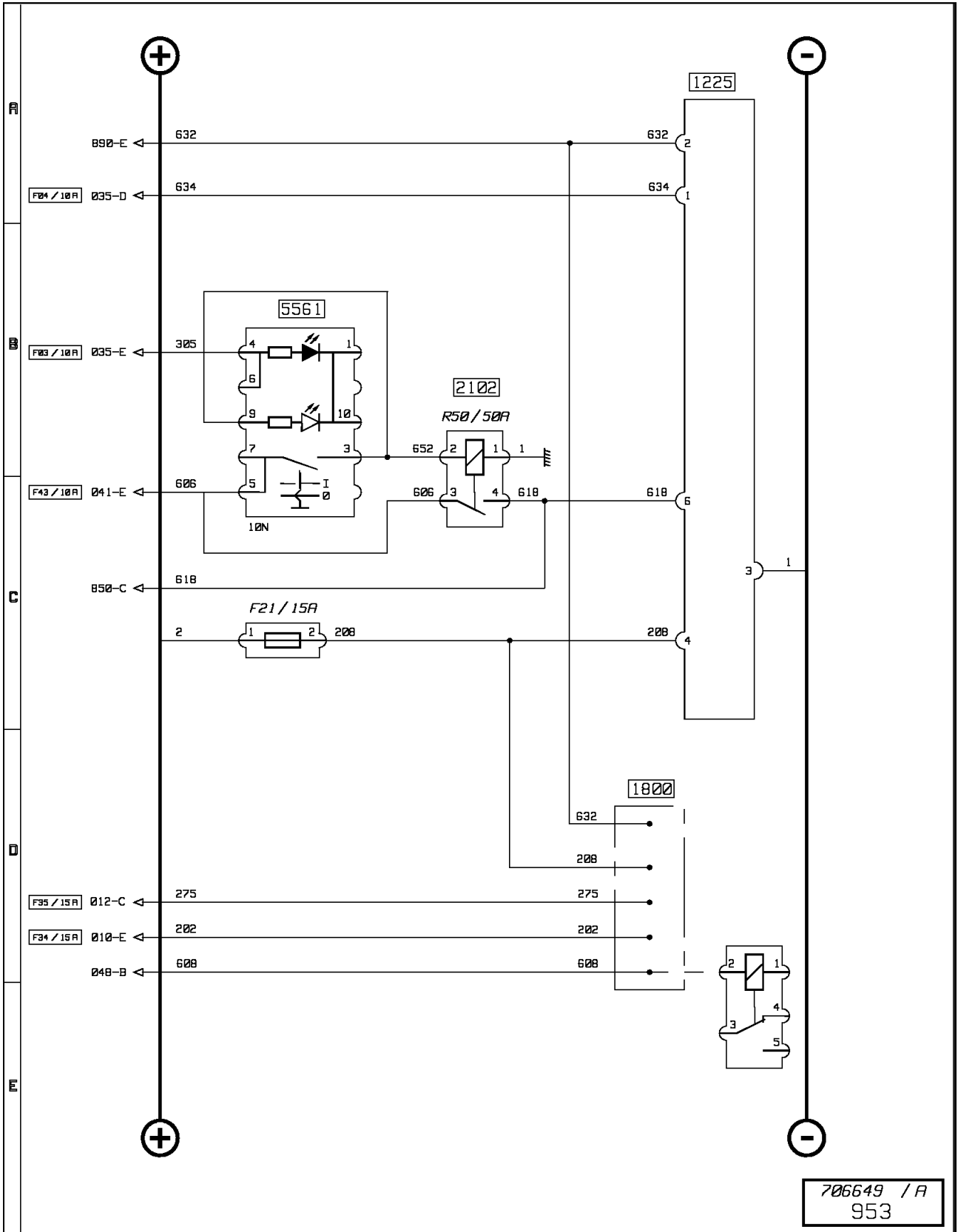
ECU "CECU"



ECU "CECU"**Key to appliances**

Code N°	Name of function	Location
1225	Chassis cab junction box	A1c
1999	ECU for bodybuilder pre-arrangement	A2c

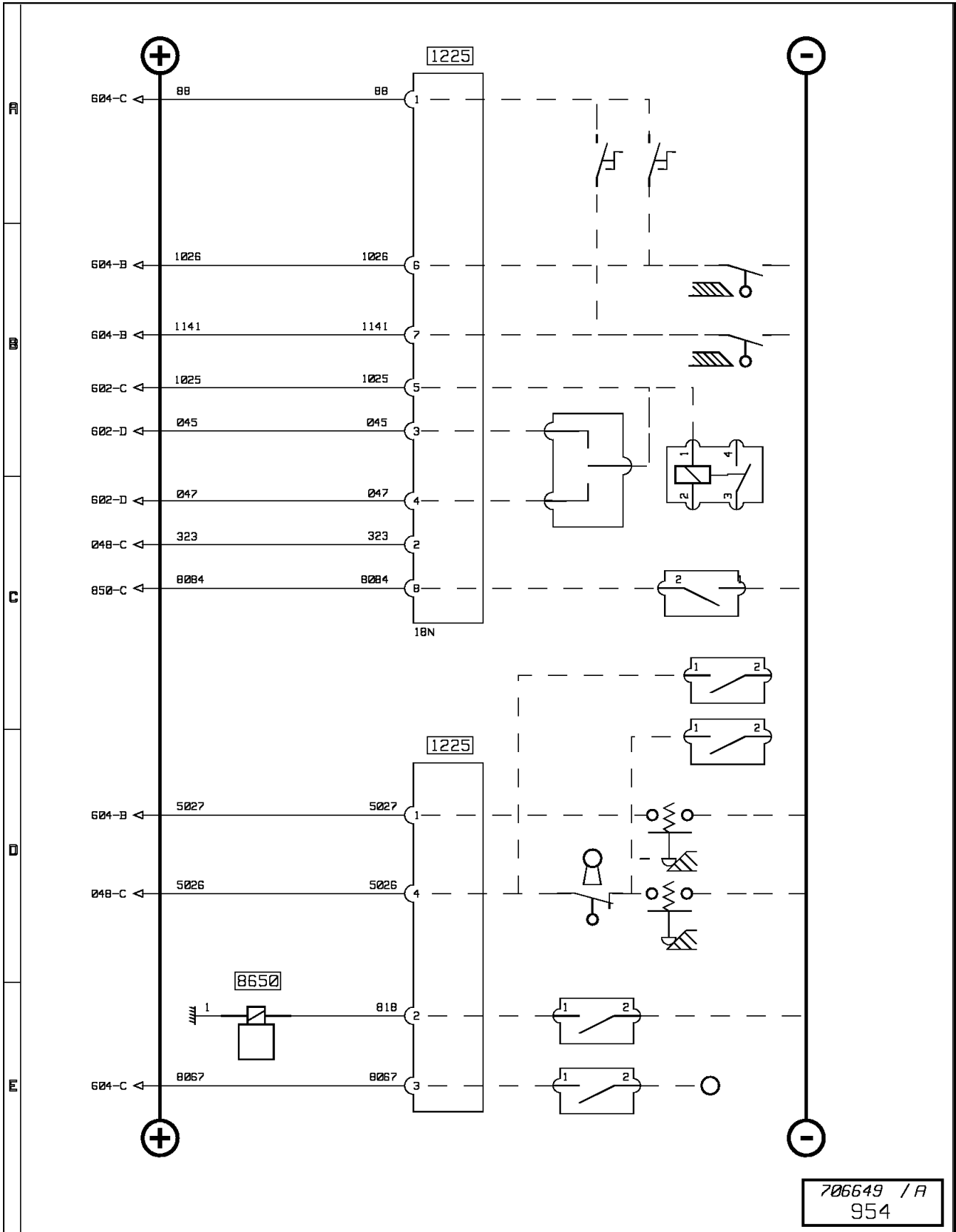
Available power supplies ("RCV" specificity) (1/2)



Available power supplies ("RCV" specificity) (1/2)**Key to appliances**

Code N°	Name of function	Location
1225	Chassis cab junction box	A1c
1800	Available power supply (insulated wires cut)	A2c
2102	Bodybuilder equipment available power supply relay	A2c
5561	Valves lighting control	C2b

Available power supplies ("RCV" specificity) (2/2)



Available power supplies ("RCV" specificity) (2/2)**Key to appliances**

Code N°	Name of function	Location
1225	Chassis cab junction box	A1c
8650	Automatic gearbox PTO solenoid valve	B4c

DEALER NETWORK AND CUSTOMER FOLLOW-UP

Customer services liaison

Our ambition is to give you access - you who work on diagnostics, repairs and maintenance (using documents issued by the After-Sales Department) - to information that is as exact and accurate as possible.
 By giving us our opinion, by informing us on divergences found between what is written in this manual and what exists on the vehicle or major unit concerned, by letting us have your suggestions and sharing your experience with us, you will contribute in helping us devise top quality technical documentation.
 You can write down your remarks and suggestions on a copy of this information sheet or on plain paper and send them by fax or by mail to the address below.

Address:

After-Sales Technical Service Department
 API: COM 00B 1 02
 99, Route de Lyon
 69806 - SAINT PRIEST Cedex
 FRANCE

FAX: +33 (0)4 72 96 93 36

Concerns manual:

Opinion and suggestions:

Divergences(s) noted:

Pages	Description of problem